

Electromagnetic type Top and Bottom Thread Trimmer

UT42

Pneumatic Top and Bottom Thread Trimmer

UT45

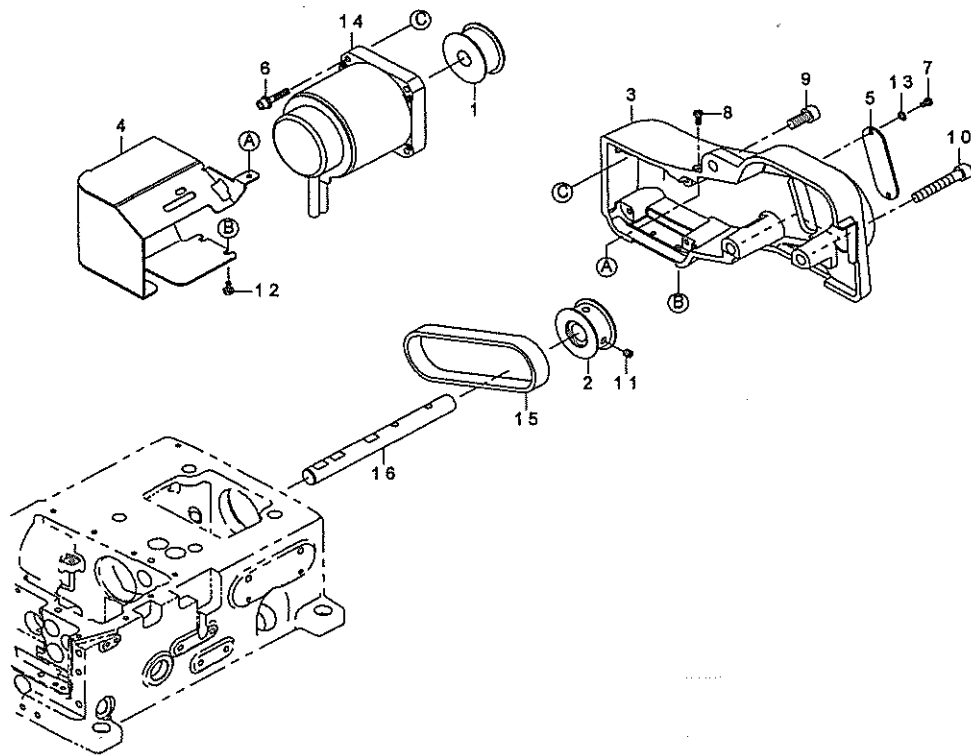
PARTS LIST

40086322

No.1544-00

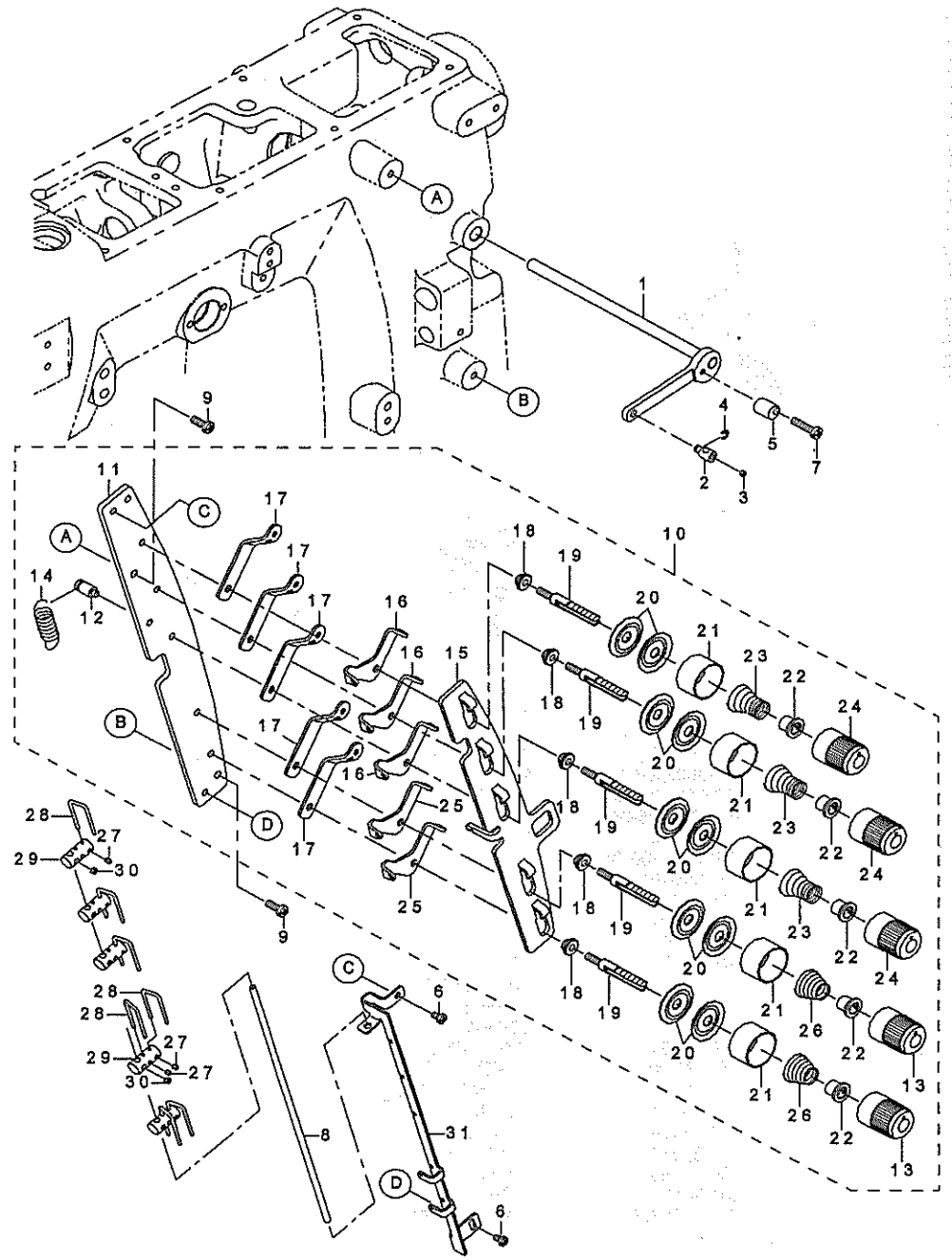
ALL PARTS NOT MENTIONED IN THIS PARTS LIST ARE SAME AS THOSE OF MODEL MF-7200D. OTHER PARTS LIST RELATED TO THIS MODEL.
*MF-7200D (NO.1541 PART NO.40086318)

1. MISCELLANEOUS COVER COMPONENTS



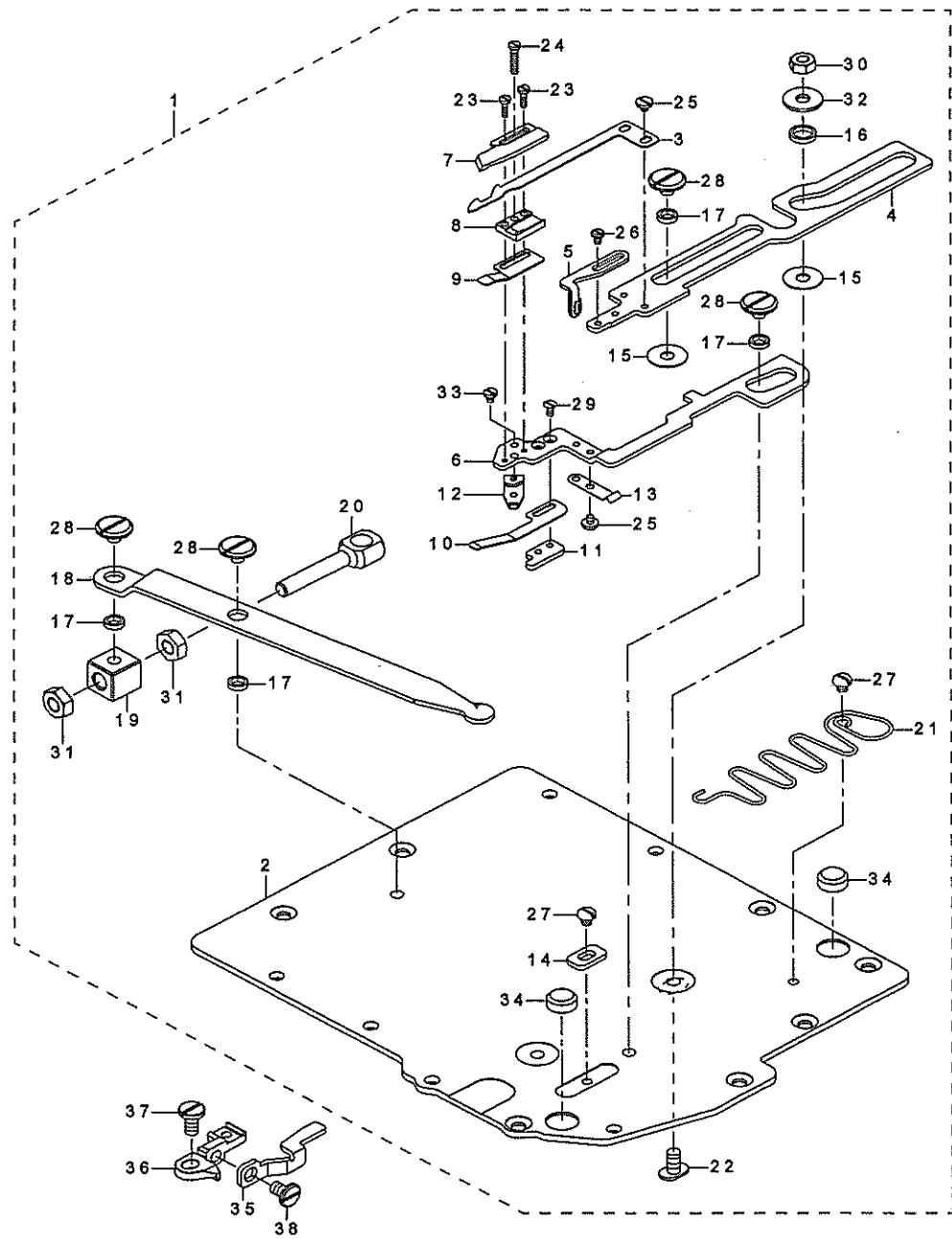
REF.NO	NOTE	PART NO	DESCRIPTION	Qty
1		400-93265	MOTOR SHAFT SPROCKET	1
2		400-93266	LMS SPROCKET	1
3		400-93372	MOTOR BRACKET	1
4		400-93353	MOTOR COVER	1
5		400-93368	MOTOR BRACKET COVER	1
6		SL-6052592-TN	BOLT	4
7		SM-4040655-SP	SCREW M4 L=6	2
8		SM-4041055-SP	SCREW	1
9		SM-6081802-TP	SCREW	1
10		SM-6085002-TP	SCREW	2
11		SM-8060612-TP	SCREW M6 L=6	2
12		SM-9040800-SN	SCREW M4 L=8	2
13		WP-0450000-SD	WASHER 4.5X8X0.5	2
14		400-94224	SERVO MOTOR	1
15		400-94442	TIMING BELT	1
16		400-93350	LOWER MAIN SHAFT BD	1

2. THREAD TENSION COMPONENTS

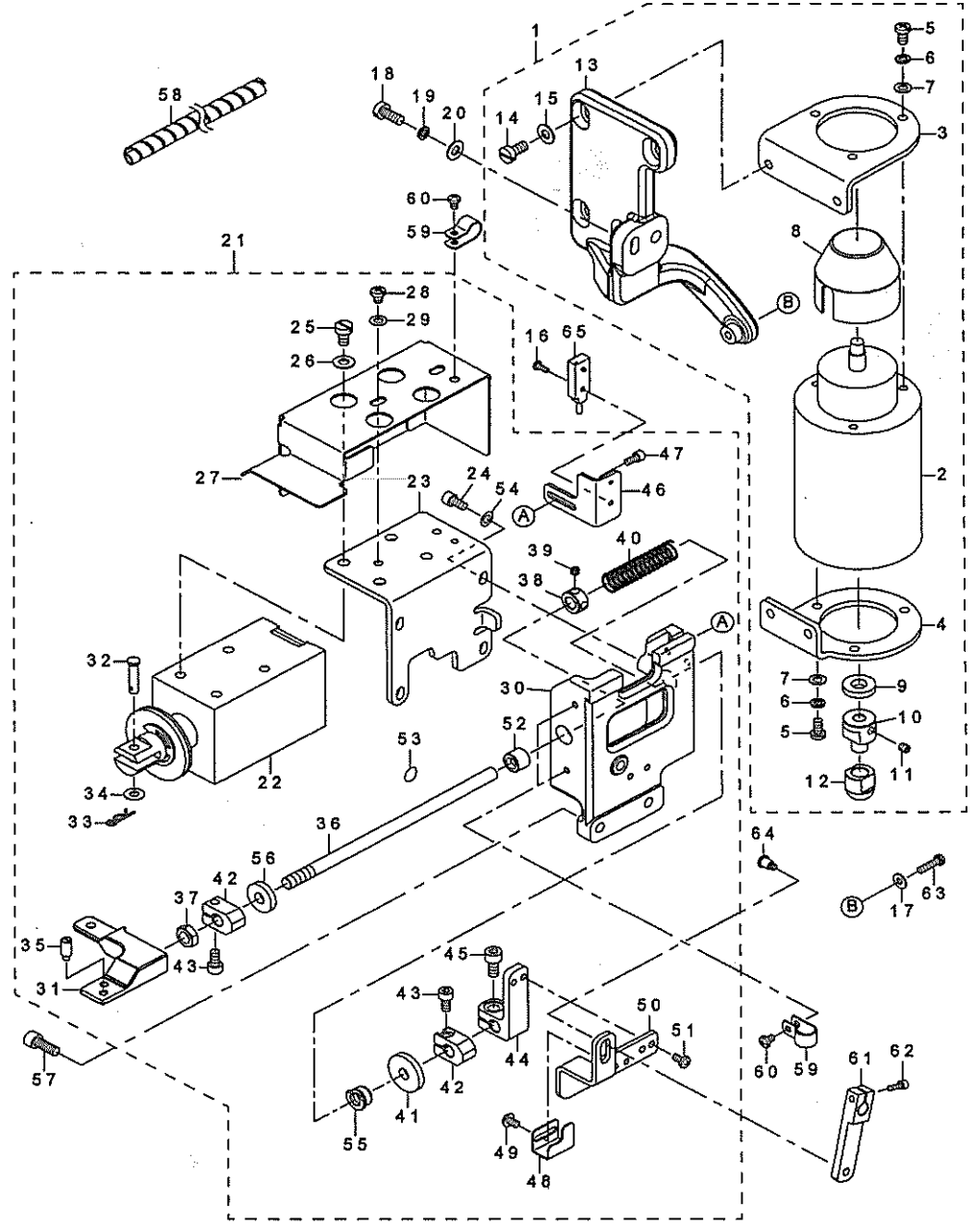


REF.NO	NOTE	PART NO	DESCRIPTION	Qty
1		134-56553	PULL_OFF_LEVER_ASSY	1
2		134-56405	THD_PULL_OFF_BAR_HOLDER	1
3		SM-8040360-TP	SCREW	1
4		RE-0300000-K0	E-RING 3	1
5		400-65785	TENS_RELEASE_ADJ_ECC	1
6		SM-4040655-SP	SCREW M4 L=6	2
7		SM-4041655-SP	SCREW M4 L=16	1
8		134-56108	PULL_OFF_BAR	1
9		SM-4041055-SP	SCREW	2
10		400-66136	THREAD_TENSION_ASSY	1
11		133-40203	TENSION_POST_SUPPORT	(1)
12		133-40302	SHOULDER_SCREW	(1)
13		400-42363	KNOB	(2)
14		B2008-372-000	THREAD_TENSION_SPRING	(1)
15		400-65784	TENSION_DISC_SEPARATOR	(1)
16		133-41607	TENSION_DISC_EYELET_2	(3)
17		133-40609	THREAD_LEAD_IN_GUIDE	(5)
18		133-40708	SPACER	(5)
19		400-42362	TENSION_POST	(5)
20		131-38201	THREAD_TENSION_DISK	(10)
21		400-42366	THREAD_TENSION_DISK_PRESSER	(5)
22		400-42365	SPRING_BUSHING	(5)
23		131-40504	TENSION_SPRING	(3)
24		400-42364	KNOB_GREEN	(3)
25		133-40500	TENSION_DISC_EYELET	(2)
26		B3121-804-000	TENSION_SPRING	(2)
27		SM-8030412-TP	SCREW	7
28		134-56603	THD_PULL_OFF_HOOK	7
29		134-56207	THD_P_O_HOOK_GUIDE	5
30		SM-8040360-TP	SCREW	5
31		134-56009	THREAD_GUIDE	1

3. LOOPER THREAD TRIMMER COMPONENTS



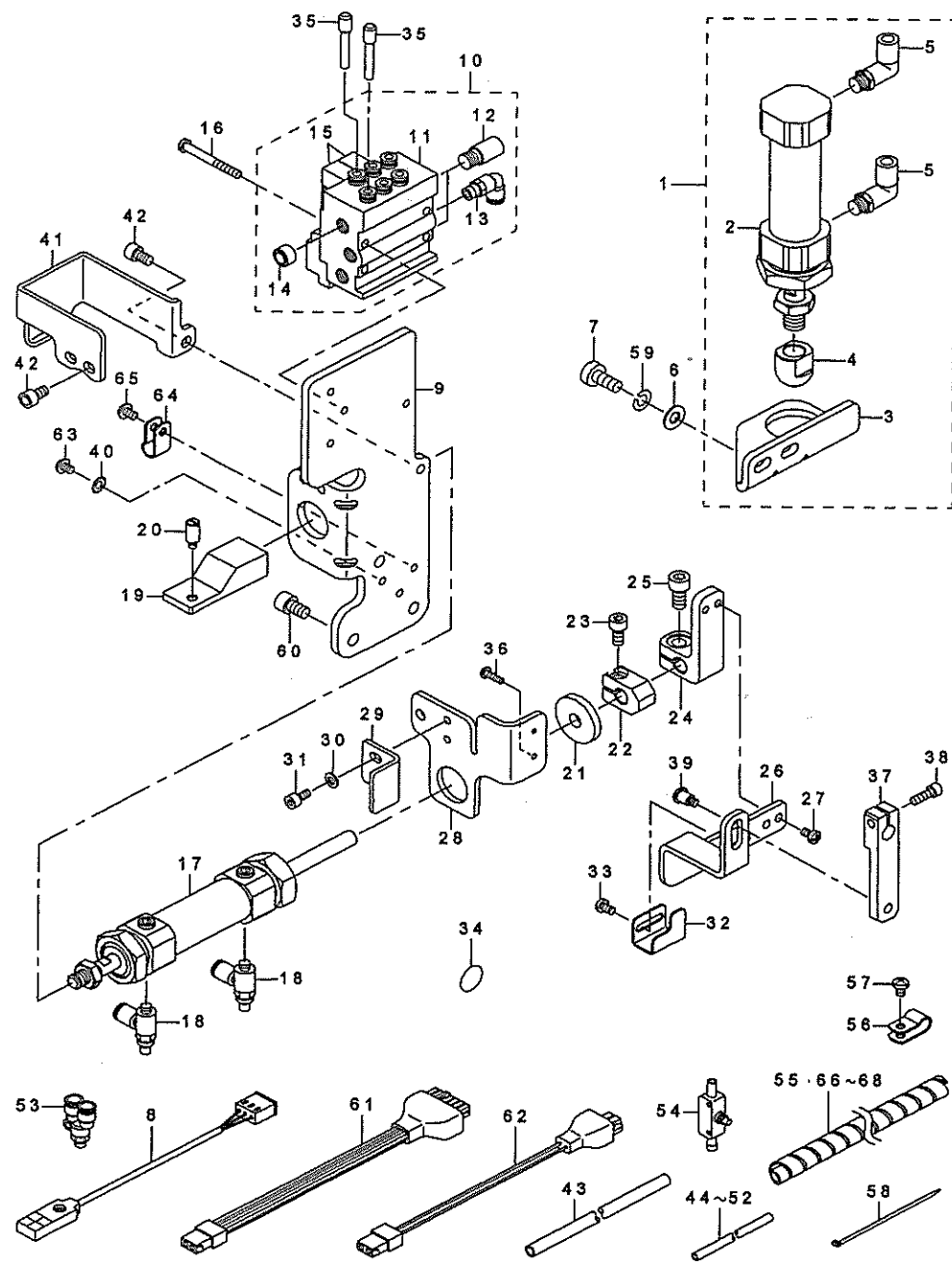
4. PNEUMATIC DRIVE & PRESSER FEED LIFTER COMPONENTS (FOR UT42)



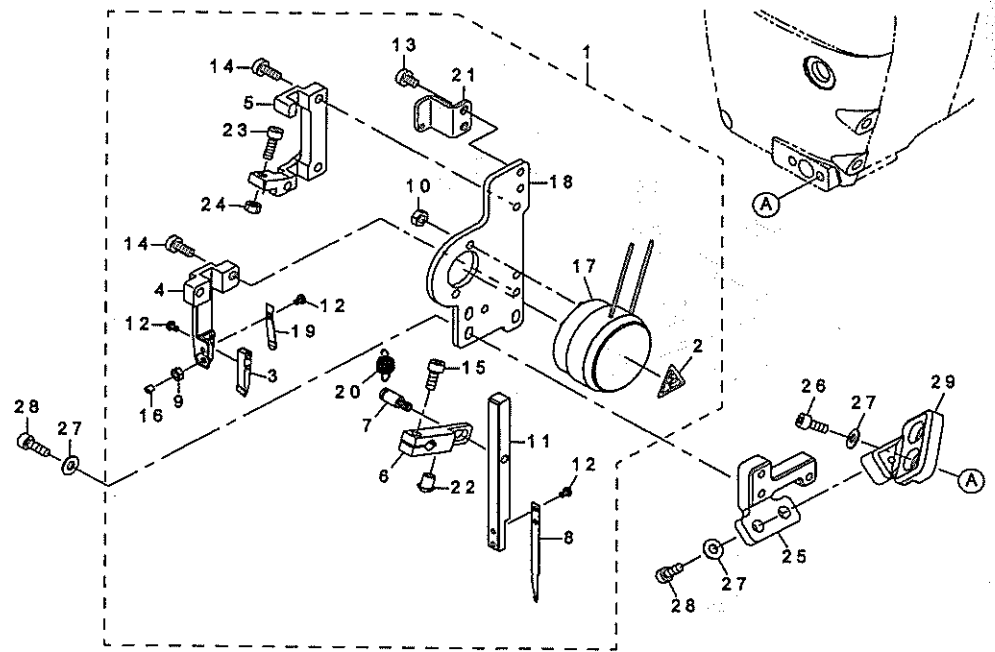
REF.NO	NOTE	PART NO	DESCRIPTION	Qty
1		400-86304	UNDER_TRIMMER_ASSY	1
2		400-86287	COVER_PLATE	(1)
3		400-86274	LOWER_KNIFE	(1)
4		400-86275	LOWER_KNIFE HOLDER	(1)
5		400-86276	THREAD_GUIDE	(1)
6		400-86281	KNIFE_GUIDE HOLDER	(1)
7		400-86277	UPPER_KNIFE	(1)
8		400-86278	LOWER_KNIFE_GUIDE	(1)
9		400-86279	KNIFE_SPRING	(1)
10		400-86280	THREAD_CLAMP	(1)
11		400-86282	PLATE	(1)
12		400-86308	TENSION_LEVER	(1)
13		400-86286	GUIDE_SPRING	(1)
14		400-86290	STOPPER	(1)
15		WP-0420516-KH	THRUST_WASHER 4.2	(1)
16		400-86292	COLLAR_D8	(1)
17		400-86293	COLLAR_D6	(1)
18		400-86294	LEVER	(1)
19		400-86295	CONNECTING_BLOCK_A	(1)
20		400-86296	CONNECTING_BLOCK_B	(1)
21		134-40409	SPRING_FOR_UT	(1)
22		400-70110	SCREW	(1)
23		400-86298	SCREW_M1.6 L=6	(1)
24		400-86299	SCREW_M2 L=10	(1)
25		400-86300	SCREW_M2 L=2.3	(1)
26		400-86301	SCREW_M2 L=3	(1)
27		400-86302	SCREW_M3 L=3	(1)
28		400-86303	SCREW_M4X0.5 L=4	(1)
29		SM-1020450-TP	SCREW_M2 L=4	(1)
30		NM-6040001-SP	NUT M4X0.7	(1)
31		NM-6050001-SP	NUT M5	(1)
32		WP-0431005-SP	PLAIN_WASHER 4.3X12X1	(1)
33		SM-6020350-SP	SCREW M2 L=2.5	(1)
34		TA-0900502-R0	PLUG D=9 L=4.5	(1)
35		400-86289	SUPPORT_PLATE	1
36		400-86288	SUPPORT_BASE	1
37		SM-6040860-TP	SCREW M4 L=8	1
38		SM-6040650-TP	SCREW M4 L=8	1

REF.NO	NOTE	PART NO	DESCRIPTION	Qty
1		400-30477	SOLENOID_ASSY_B	1
2		400-30478	SOLENOID_ASSY_A	(1)
3		400-32444	SOLENOID_BRACKET_UPPER	(1)
4		400-32445	SOLENOID_BRACKET_LOWER	(1)
5		SM-4051055-SP	SCREW	(6)
6		WS-0510002-KP	SPRING_WASHER 5.1X9.2X1.3	(6)
7		WP-0550800-SP	WASHER 5.5X10X0.8	(6)
8		GAK-3303600A	SOLENOID_COVER	(1)
9		400-32703	P_F_RUBBER_WASHER	(1)
10		400-32447	CAP_JOINT	(1)
11		SM-8050602-TP	SCREW M5 L=6	(1)
12		134-55100	AIR_CYLINDER_CAP	(1)
13		400-32446	SOLENOID_BRACKET	(1)
14		SM-6061200-SP	SCREW	(4)
15		WP-0621016-SD	WASHER 6.2X13X1	(4)
16		SM-4030855-SN	SCREW M3 L=8.0	1
17		WP-0450826-SC	WASHER 4.5X10X0.8	1
18		SM-6061400-SP	SCREW M6 L=14	1
19		WS-0610002-KP	SPRING_WASHER	1
20		WP-0621016-SD	WASHER 6.2X13X1	1
21		400-30482	UT ELECTRIC DRIVE ASSY	1
22		400-40271	UT SOLENOID ASSY	(1)
23		400-26935	SOLENOID BRACKET	(1)
24		SM-6051002-TP	SCREW M5X0.8 L=10	(4)
25		SM-6061010-TP	SCREW M6 L=10	(4)
26		WP-0621016-SD	WASHER 6.2X13X1	(4)
27		400-39670	SOLENOID_COVER	(1)
28		SM-4050655-SP	SCREW M5 L=6	(2)
29		WP-0550800-SP	WASHER 5.5X10X0.8	(2)
30		400-40662	UT SOLENOID BASE	(1)
31		400-28848	CONN_BLOCK	(1)
32		400-39669	MAGNET_PIN	(1)
33		B1515-210-D00	PIN	(1)
34		WP-0560860-SE	WASHER 5.6X12X0.8	(1)
35		134-42702	PIN	(1)
36		400-24097	UT SHAFT	(1)
37		NM-6080003-SC	NUT M8	(1)
38		CS-0800881-TP	THRUST COLLAR	(1)
39		SM-8050412-TP	SCREW M5 L=4	(2)
40		400-42567	SPRING	(1)
41		134-43601	WASHER	(1)
42		134-42900	COLLAR	(2)
43		SM-6051002-TP	SCREW M5X0.8 L=10	(2)
44		134-43007	PLATE HOLDER	(1)
45		SM-6061202-TP	SCREW M6 L=12	(1)
46		400-24101	SENSOR HOLDER	(1)
47		SM-6040802-TN	SCREW	(2)
48		134-43205	SWITCH PLATE	(1)
49		SM-4040655-SP	SCREW M4 L=6	(2)
50		134-43106	TENS RELEASE PLATE_UT	(1)
51		SM-4040855-SP	SCREW	(2)
52		400-40661	BUSHING_UT_SHAFT	(1)
53		229-01805	GROUND MARK	(1)
54		WP-0550800-SP	WASHER 5.5X10X0.8	(4)
55		400-38380	BUSHING_UT_SHAFT_RIGHT	(1)
56		400-38259	WASHER	(1)
57		SM-6061602-TP	SCREW M6 L=16	3
58		HX-0031400-0A	SPIRAL TUBE	0.6
59		HX-0015000-0D	CABLE CLIP	3
60		SM-4040655-SP	SCREW M4 L=6	3
61		134-43304	TENSION RELEASE LEVER	1
62		SM-6041202-TP	SCREW M4X0.7 L=12	1
63		SM-4041655-SP	SCREW M4 L=16	1
64		SD-0700706-TP	SHOULDER SCREW	1
65		400-21746	UNDER_TRIMMER_SENSOR_CABLE_ASM	1

5. PNEUMATIC DRIVE & PRESSER FEED LIFTER COMPONENTS (FOR UT45)



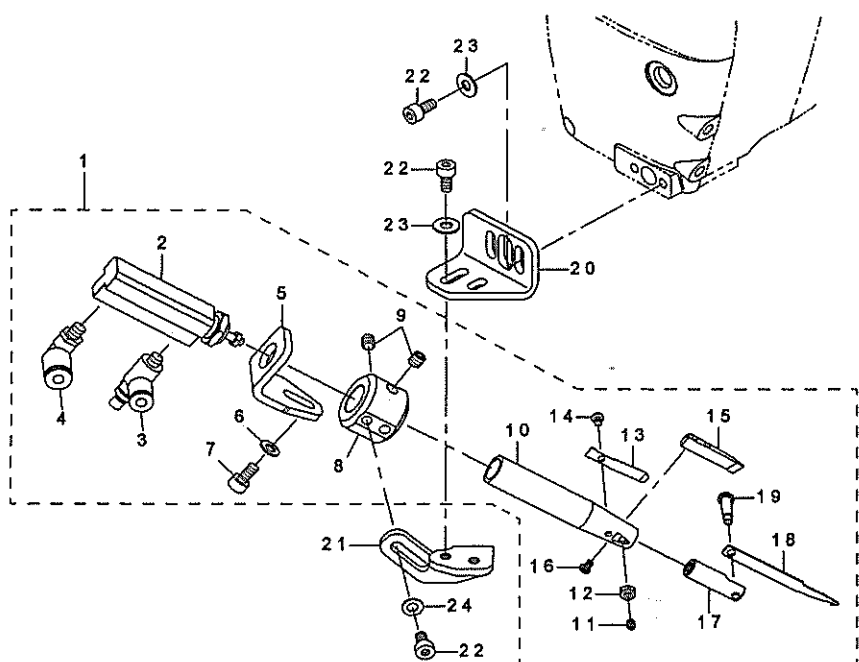
6. TOP COVER THREAD TRIMMER COMPONENTS (FOR UT42)



REF.NO	NOTE	PART NO	DESCRIPTION	Qty
1		400-18079	PNEUMATIC_P_F_LIFTER_ASSY	1
2		PA-2503004-A0	AIR CYLINDER	(1)
3		134-55001	AIR_CYLINDER_BRACKET	(1)
4		134-55100	AIR_CYLINDER_CAP	(1)
5		PJ-3040451-02	ELBOW UNION, C	(2)
6		WP-0627016-SD	WASHER 6.2X13X1	2
7		SM-6061400-SP	SCREW M6 L=14	2
8		400-21746	UNDER_TRIMMER_SENSOR_CABLE_ASM	1
9		134-42504	AIR_CYLINDER_BRACKET	1
10		400-72396	MANIFOLD_VALVE_ASSY	1
11		PV-0351610-00	MANIFOLD	(1)
12		PX-0551040-00	SILENCER (PT1/8)	(2)
13		PJ-3040651-01	ELBOW UNION 6XPT1/8	(1)
14		PJ-0251000-02	PLUG R1/8	(3)
15		PV-1501032-00	5-PORT SOKENOID VALVE	(2)
16		SM-4043555-SP	SCREW	2
17		PA-2001802-A0	AIR CYLINDER	1
18		PC-0105080-00	SPEED CONTROLLER	2
19		134-42603	PLUNGER	1
20		134-42702	PIN	1
21		134-43601	WASHER	1
22		134-42900	COLLAR	1
23		SM-6051002-TP	SCREW M5X0.8 L=10	1
24		134-43007	PLATE HOLDER	1
25		SM-6061202-TP	SCREW M6 L=12	1
26		134-43106	TENS_RELEASE_PLATE	1
27		SM-4040655-SP	SCREW M4 L=6	2
28		134-42801	SENSOR HOLDER	1
29		134-43700	SUPPORT_PLATE_UT	1
30		WP-0430800-SC	WASHER M4	2
31		SM-6040802-TP	SCREW M4X0.7 L=8	2
32		134-43205	SWITCH_PLATE	1
33		SM-4040655-SP	SCREW M4 L=6	2
34		229-01805	GROUND MARK	1
35		PX-5000140-00	PLUG	2
36		SM-4031001-SN	SCREW	1
37		134-43304	TENSION_RELEASE_LEVER	1
38		SM-6041202-TP	SCREW M4X0.7 L=12	1
39		SD-0700706-TP	SHOULDER SCREW	1
40		WT-0430002-KN	WASHER M4	1
41		400-69703	SOLENOID COVER	1
42		SM-6050802-TP	SCREW M5X0.8 L=8	3
43		BT-0600401-EB	TUBE	2
44		BT-0400251-EB	URETHANE HOSE, BLACK	0.27
45		BT-0400251-EB	URETHANE HOSE, BLACK	0.32
46		BT-0400251-EB	URETHANE HOSE, BLACK	0.08
47		BT-0400251-EB	URETHANE HOSE, BLACK	0.08
48		BT-0400251-EB	URETHANE HOSE, BLACK	0.42
49		BT-0400251-EB	URETHANE HOSE, BLACK	0.23
50		BT-0400251-EB	URETHANE HOSE, BLACK	0.63
51		BT-0400251-EB	URETHANE HOSE, BLACK	0.3
52		BT-0400251-EB	URETHANE HOSE, BLACK	0.22
53		PJ-3080400-06	UNION	2
54		PC-0124010-00	SPEED CONTROLLER	1
55		HX-0031400-0A	SPIRAL TUBE	0.6
56		HX-0015000-0B	CABLE CLIP	2
57		SM-4040655-SP	SCREW M4 L=6	2
58		EA-9500801-00	CABLE BAND	3
59		WS-0610002-KP	SPRING WASHER	2
60		SM-6061002-TP	SCREW M6 L=10	3
61		400-27211	UNDER_TRIMMER_CABLE_B_ASM.	1
62		400-27213	LIFT_UP_CABLE_B_ASM.	1
63		SM-4040501-SN	SCREW M4X0.7 L=5	1
64		HX-0015000-0B	CABLE CLIP	1
65		SM-4040655-SP	SCREW M4 L=6	1
66		HX-0031400-00	SPIRAL TUBE	0.96
67		HX-0031400-0D	SPIRAL TUBE	0.12
68		HX-0031400-0D	SPIRAL TUBE	0.1

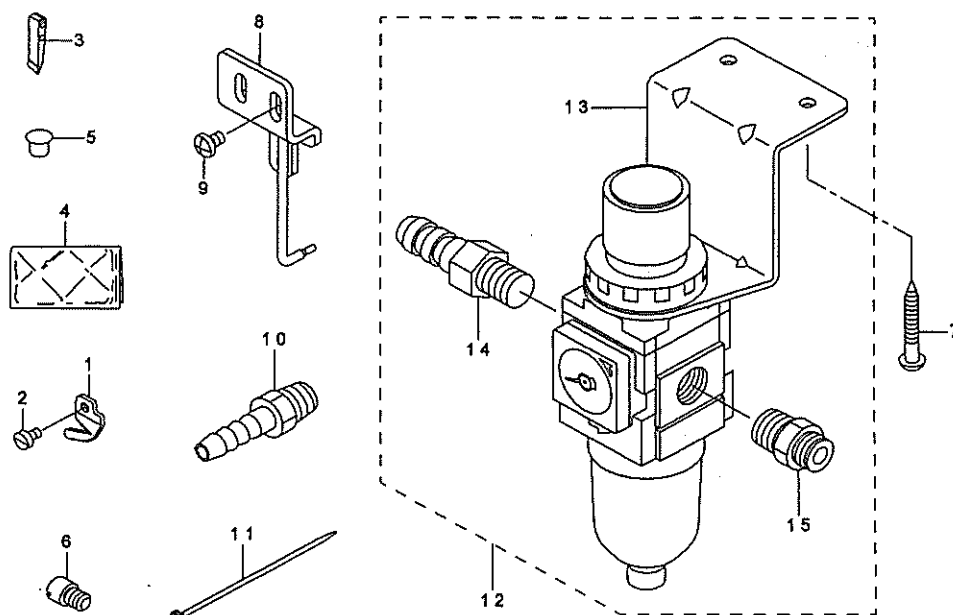
REF.NO	NOTE	PART NO	DESCRIPTION	Qty
1		400-29821	U_L_THD_TRIMMER_ASSY	1
2		CM-3002000-01	ATTENTION SEAL	(1)
3		400-29004	FIXED_KNIFE	(1)
4		400-29005	FIXED_KNIFE HOLDER	(1)
5		400-24103	HOLDER_GUIDE	(1)
6		400-29006	LEVER	(1)
7		400-29007	LEVER_PIN	(1)
8		400-29008	MOVING_KNIFE	(1)
9		NM-6030001-SD	NUT M3X0.5	(1)
10		NM-6040001-SP	NUT M4X0.7	(2)
11		400-29010	ROD	(1)
12		SM-4850455-SP	SCREW	(5)
13		SM-6040600-SP	SCREW M4 L=6	(2)
14		SM-6041000-SP	SCREW M4 L=10	(5)
15		SM-6041002-TP	SCREW M4 L=10	(1)
16		SM-8030450-SP	SCREW M3 L=4	(1)
17		M8518-630-0A0	THREAD TENSION SOLENOID ASM.	(1)
18		400-29011	SOLENOID_BASE	(1)
19		134-58401	SPRING	(1)
20		400-29012	SPRING	(1)
21		400-29013	SPRING_HOOK_BASE	(1)
22		TA-0550604-R0	RUBBER PLUG	(1)
23		SM-6041200-SP	SCREW M4 L=12	(1)
24		NM-6040001-SP	NUT M4X0.7	(1)
25		400-29003	BRACKET2	1
26		SM-6041002-TN	BOLT	2
27		WP-0450826-SC	WASHER 4.5X10X0.8	5
28		SM-6041202-TN	SCREW M4X0.7 L=12	5
29		400-29002	BRACKET1	1

7. TOP COVER THREAD TRIMMER COMPONENTS (FOR UT45)



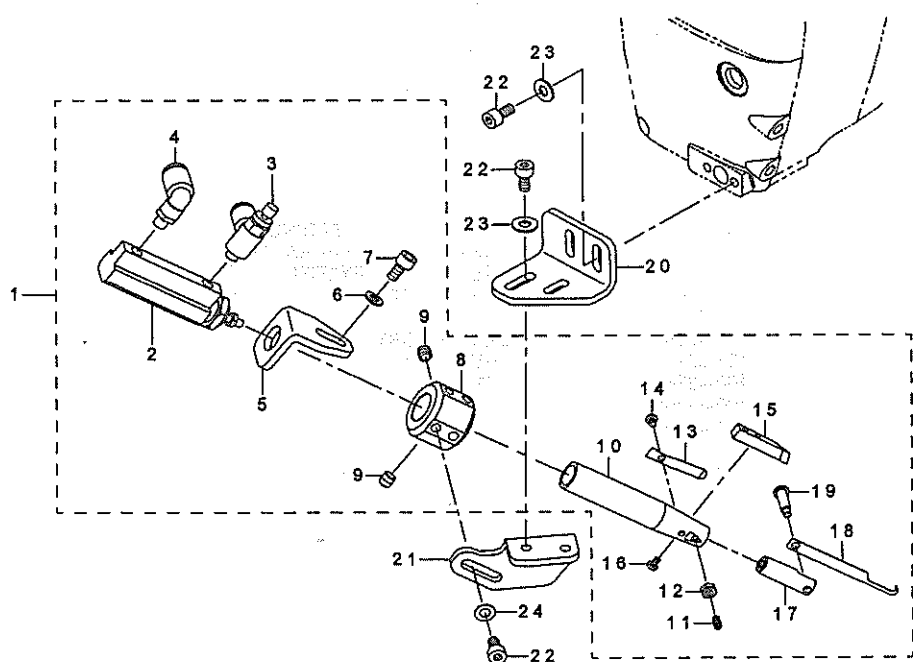
REF.NO	NOTE	PART NO	DESCRIPTION	Qty
1		400-21279	U L_THREAD_TRIMMER_ASSY	1
2		PA-0602006-A0	AIR CYLINDER	(1)
3		PC-0105080-00	SPEED CONTROLLER	(1)
4		PJ-3040405-04	ELBOW UNION	(1)
5		134-59300	AIR_CYLINDER_BRACKET	(1)
6		WP-0430800-SC	WASHER M4	(2)
7		SM-6040802-TN	SCREW	(2)
8		134-58203	COLLAR	(1)
9		SM-8050512-TP	SCREW	(2)
10		134-58302	KNIFE HOLDER	(1)
11		SM-8030450-SP	SCREW M3 L=4	(1)
12		NM-6030001-SD	NUT M3X0.5	(1)
13		134-58401	SPRING	(1)
14		SM-4850455-SP	SCREW	(1)
15		400-29004	FIXED KNIFE	(1)
16		SM-4850455-SP	SCREW	(2)
17		134-58005	MOVING_KNIFE HOLDER	(1)
18		400-58211	MOVING KNIFE	(1)
19		134-58104	SHOULDER SCREW	(1)
20		400-50570	BRACKET_2	1
21		400-50589	BRACKET	1
22		SM-6040802-TN	SCREW	6
23		WP-0450826-SC	WASHER 4.5X10X0.8	4
24		WP-0430800-SC	WASHER M4	2

9. ACCESSORIE PART COMPONENTS



REF.NO	NOTE	PART NO	DESCRIPTION	Qty
1		133-16302	THREAD_TRIMMER	1
2		SM-6030500-SN	SCREW M3 L=5	1
3	#01	400-29004	FIXED_KNIFE	1
4		400-66644	HEAD_COVER	1
5	#02	TA-0550604-R0	RUBBER_PLUG	1
6	#02	400-38326	SOLENOID_BRACKET_PIN	1
7		SK-3451600-SC	WOOD SCREW D=4.5 L=16	2
8	#03	134-42058	AIR_BLOW_TUBE_ASSY	1
9	#03	SM-4040655-SP	SCREW M4 L=6	2
10	#03	PJ-0325260-01	HOSE_NIPPLE	1
11	#03	EA-9500B01-00	CABLE_BAND	4
12	#03	400-18052	FILTER_REGULATOR_ASSY	1
13		PF-0552070-C0	FILTER REGULATOR	(1)
14		F1021-003-000	HOSE JOINT	(1)
15		PJ-3010652-01	HALF UNION 6XPT1/4	(1)
		NOTE	#01...FOR TURKEY #02...FOR UT42 #03...FOR UT45,UT45A	

8. TOP COVER THREAD TRIMMER COMPONENTS (FOR UT45A)



REF.NO	NOTE	PART NO	DESCRIPTION	Qty
1		400-60754	U L_THD_TRIMMER_ASSY	1
2		PA-0602006-A0	AIR CYLINDER	(1)
3		PC-0105080-00	SPEED CONTROLLER	(1)
4		PJ-3040405-04	ELBOW UNION	(1)
5		134-59300	AIR_CYLINDER_BRACKET	(1)
6		WP-0430800-SC	WASHER M4	(2)
7		SM-6040802-TN	SCREW	(2)
8		134-58203	COLLAR	(1)
9		SM-8050512-TP	SCREW	(2)
10		134-58302	KNIFE HOLDER	(1)
11		SM-8030450-SP	SCREW M3 L=4	(1)
12		NM-6030001-SD	NUT M3X0.5	(1)
13		134-58401	SPRING	(1)
14		SM-4850455-SP	SCREW	(1)
15		134-58500	LOWER KNIFE	(1)
16		SM-4850455-SP	SCREW	(2)
17		134-58005	MOVING_KNIFE HOLDER	(1)
18		400-65510	MOVING KNIFE	(1)
19		134-58104	SHOULDER SCREW	(1)
20		134-58708	BRACKET_2	1
21		134-58609	BRACKET	1
22		SM-6040802-TN	SCREW	6
23		WP-0450826-SC	WASHER 4.5X10X0.8	4
24		WP-0430800-SC	WASHER M4	2

JUKI CORPORATION

INDUSTRIAL SEWING MACHINE DIVISION PHONE:(81)42-357-2371
2-11-1, TSURUMAKI, TAMA-SHI, FAX:(81)42-357-2274
TOKYO, 206-8551, JAPAN

Copyright© 2009 JUKI CORP.
All rights reserved throughout the world.
Printed in China