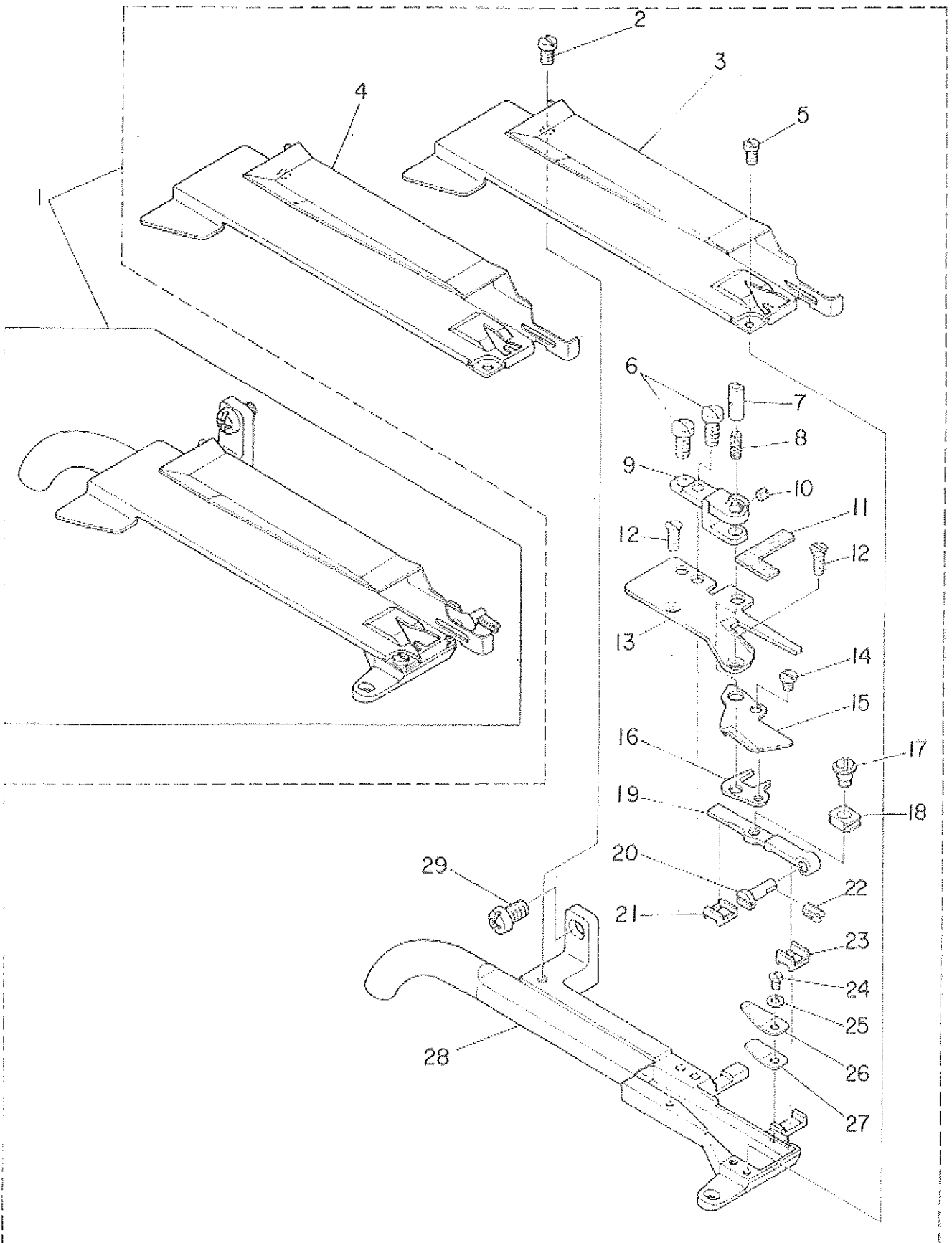


# T024 PARTS LIST

No.0227-00

1984-2

BET02420PJA



Ref. No.	Note	Part No.	Description	E. C.	品名	Amt. Req.
		品番		変更年月		数量
1		MAT-024000A0	T024 FLAT CUTTER ASM.			1
2		SS-4090610-SP	SCREW 9/64-40 L=6		9/64-40 L=6	(1)
3	#01	MAT-02417000	KNIFE BASE COVER(WIDE)		9/64-40 L=6	(1)
4	#02	MAT-02416000	KNIFE BASE COVER(NARROW)		9/64-40 L=6	(1)
5		SS-7660310-SP	SCREW 3/32-56 L=3		3/32-56 L=3	(1)
6		SS-7090920-SP	SCREW 9/64-40 L=8.5		9/64-40 L=8.5	(1)
7		MAT-02411000	MOVABLE BLADE STUD		9/64-40 L=8.5	(2)
8		CO-2620000-00	OIL WICK		9/64-40 L=8.5	(1)
9		MAT-02407000	BEARING		9/64-40 L=8.5	(0.1)
10		SS-8080310-TP	SCREW 1/8-44 L=2.8		1/8-44 L=2.8	(1)
11		MAT-02415000	FELT		1/8-44 L=2.8	(1)
12		SS-1060610-SP	SCREW 3/32-56 L=5.5		3/32-56 L=5.5	(1)
13		MAT-02403000	FIXED BLADE		3/32-56 L=5.5	(2)
14		SS-6080340-SP	SCREW 1/8-44 L=3.0		1/8-44 L=3.0	(1)
15		MAT-02402000	MOVABLE BLADE		1/8-44 L=3.0	(1)
16		MAT-02408000	KNIFE DRIVING BASE		1/8-44 L=3.0	(1)
17		MAT-02406000	HINGE SCREW		1/8-44 L=3.0	(1)
18		MAT-02412000	SLIDE BLOCK		1/8-44 L=3.0	(1)
19		MAT-02404000	DRIVING LINK		1/8-44 L=3.0	(1)
20		MAT-02405000	PIN		1/8-44 L=3.0	(1)
21		MAT-02410000	DRIVING LINK GUIDE (B)		1/8-44 L=3.0	(1)
22		SS-8080610-SP	SCREW 1/8-44 L=5.5		1/8-44 L=5.5	(1)
23		MAT-02409000	DRIVING LINK GUIDE (A)		1/8-44 L=5.5	(1)
24		SS-4060310-SP	SCREW 3/32-56 L=2.5		3/32-56 L=2.5	(1)
25		WP-0250516-S0	WASHER 7.6X6X0.5		3/32-56 L=2.5	(1)
26		MAT-02413000	SPRING (A)		7.6X6X0.5	(1)
27		MAT-02414000	SPRING (B)		7.6X6X0.5	(1)
28		MAT-024010A0	KNIFE BASE COVER ASM.		7.6X6X0.5	(1)
29		SS-4120915-SP	SCREW 3/16-28 L=9		3/16-28 L=9	(1)

Note (注記) #01 ... Standard part (wide) 標準部品(太)  
#02 ... Accessory part (narrow) 付属品(細)