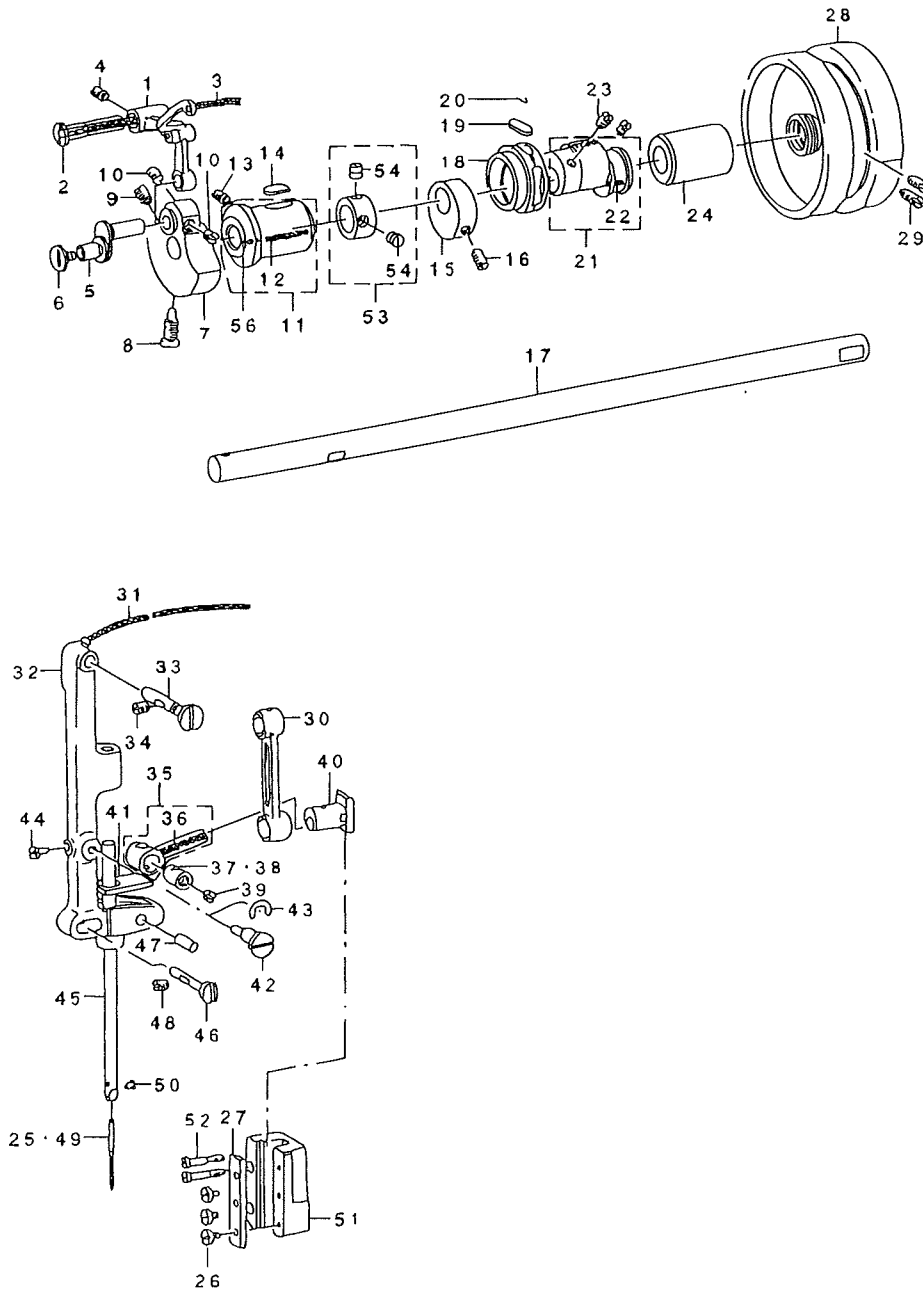


2. MAIN SHAFT & NEEDLE BAR COMPONENTS

上軸・針棒関係



No	note	Parts No.	DESCRIPTION	Qty
1		B1911-027-0B0	THREAD TAKE-UP LEVER ASM.	1
2		B1913-271-000	TAKE-UP LEVER PIN	1
3	*	CQ-2020000-00	OIL WICK	0.2
4		SS-8151150-SP	SCREW 15/64-28 L=10.5	1
5		B1209-027-000	NEEDLE BAR CRANK	1
6		B1208-027-000	END SCREW	1
7		B1206-271-000-A	COUNTERWEIGHT	1
8		SS-7681750-TP	SCREW 9/32-28 L=16.5	1
9		SS-8681130-SP	SCREW 9/32-28 L=11	1
10		SS-8660810-TP	SCREW 1/4-40 L=6	2
11		B1202-271-0A0	MAIN SHAFT BUSHING ASM. .FRONT	1
12		CQ-2020000-00	OIL WICK	(0.1)
13		SS-8151150-SP	SCREW 15/64-28 L=10.5	1
14		B1203-012-000	OIL FELT	1
15		B1240-271-000	AUXILIARY COUNTERWEIGHT ASM.	1
16		SS-8151550-SP	SCREW 15/64-28 L=15	1
17		B1201-271-000-A	UPPER SHAFT	1
18		B1211-226-000	ECCENTRIC RETAINER HOUSING	1
19		B1212-012-000	OIL FELT	1
20		B1213-012-000	FELT RETAINER	1
21		B1210-040-0B0	FEED ECCENTRIC CAM ASM.	1
22		CQ-2020000-00	OIL WICK	(0.1)
23		SS-8150710-SP	SCREW 15/64-28 L=7	2
24		B1212-271-000	UPPER SHAFT REAR METAL	1
25	01	MDB-1B0B1100	NEEDLE DBX1 #11B	1
26		SS-7081310-SP	SCREW 1/8-44 L=12.5	3
27		B1413-271-000	POSITION PLATE	1
28		B1213-391-00A-A	HAND WHEEL	1
29		SS-8151550-SP	SCREW 15/64-28 L=15	2
30		B1408-271-B00	NEEDLE BAR CRANK CONNECTING RO	1
31		CQ-3000000-00	OIL WICK	0.4
32		B1421-271-000	NEEDLE BAR FRAME	1
33		B1422-027-000	HINGE PIN	1
34		SS-8150710-SP	SCREW 15/64-28 L=7	1
35		B1411-271-0A0	NEEDLE BAR CONNECTION ASM.	1
36		CQ-2520000-00	OIL WICK	(0.1)
37		B1427-271-000	BUSHING	1
38	03	B1427-271-00A	NEEDLE BAR OIL SHAFT	1
39		SS-8150410-SP	SCREW 15/64-28 L=4	1
40		B1414-271-B00	ECCENTRIC SLIDER (B)	1
41		B1434-027-000	OIL PAD	1
42		B1429-027-000	ECCENTRIC STUD	1
43		RE-0600000-K0	E-RING 6	1
44		SS-7110710-SP	SCREW 11/64-40 L=7	1
45		B1401-271-000	NEEDLE BAR	1
46		B1424-027-000	NEEDLE BAR FRAME GUIDE PIN	1
47		B1432-027-000	OIL PAD ROLLER	1
48		SS-8150710-SP	SCREW 15/64-28 L=7	1
49	02	MDB-1B0B1400	NEEDLE DBX1B #14	1
50		SS-6080360-SP	SCREW	1
51		B1415-271-B00	BRACKET	1
52		SS-6092120-SP	SCREW 9/64-40 L=21.2	2
53		229-04155	MAIN SHAFT THRUST COLLAR ASM.	1
54		SS-8660810-TP	SCREW 1/4-40 L=6	(2)

01...FOR LZ-271 / 02...FOR LZ-391N / 03...SELECTIVE PART /