

MODEL : DDL-9000

List No : 1259-07

# PARTS LIST

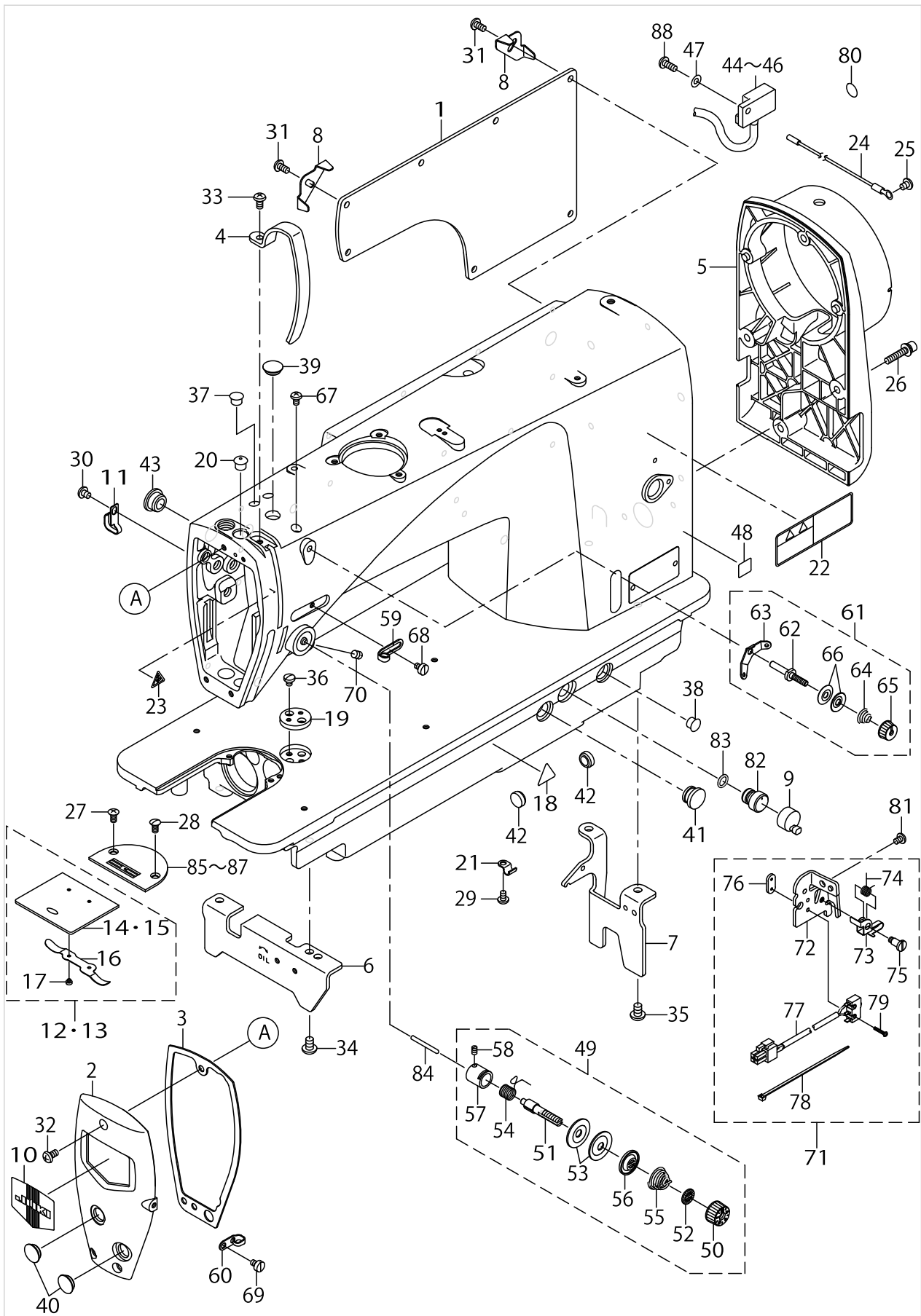
Published:05/07/2018

## CONTENTS

---

MACHINE FRAME & MISCELLANEOUS COVER COMPONENTS .....	1
BOBBIN WINDER COMPONENTS.....	5
MAIN SHAFT & NEEDLE BAR COMPONENTS.....	7
HAND LIFTER & TENSION RELEASE COMPONENTS.....	11
FEED ADJUST MECHANISM COMPONENTS .....	15
HORIZONTAL FEED, VERTICAL FEED & HOOK DRIVING SHAFT COMPONENTS.....	19
THREAD TRIMMER COMPONENTS .....	23
OIL LUBRICATION COMPONENTS .....	27
AUTOMATIC REVERSE FEED COMPONENTS.....	29
WIPER COMPONENTS(FOR DDL-9000-WB) .....	31
THREAD STAND COMPONENTS.....	33
UNDER COVER COMPONENTS.....	35
ACCESSORIE PART COMPONENTS.....	37
EXCLUSIVE PART FOR DDL-9000DS.....	39
EXCLUSIVE PART FOR DDL-9000DF.....	41
EXCLUSIVE PART FOR DDL-9000SH-WB,0B.....	45
TABLE & STAND COMPONENTS.....	49
LIST FOR INFORMATION OF CHANGE.....	51
HOW TO MAKE USE OF THIS PARTS LIST .....	52

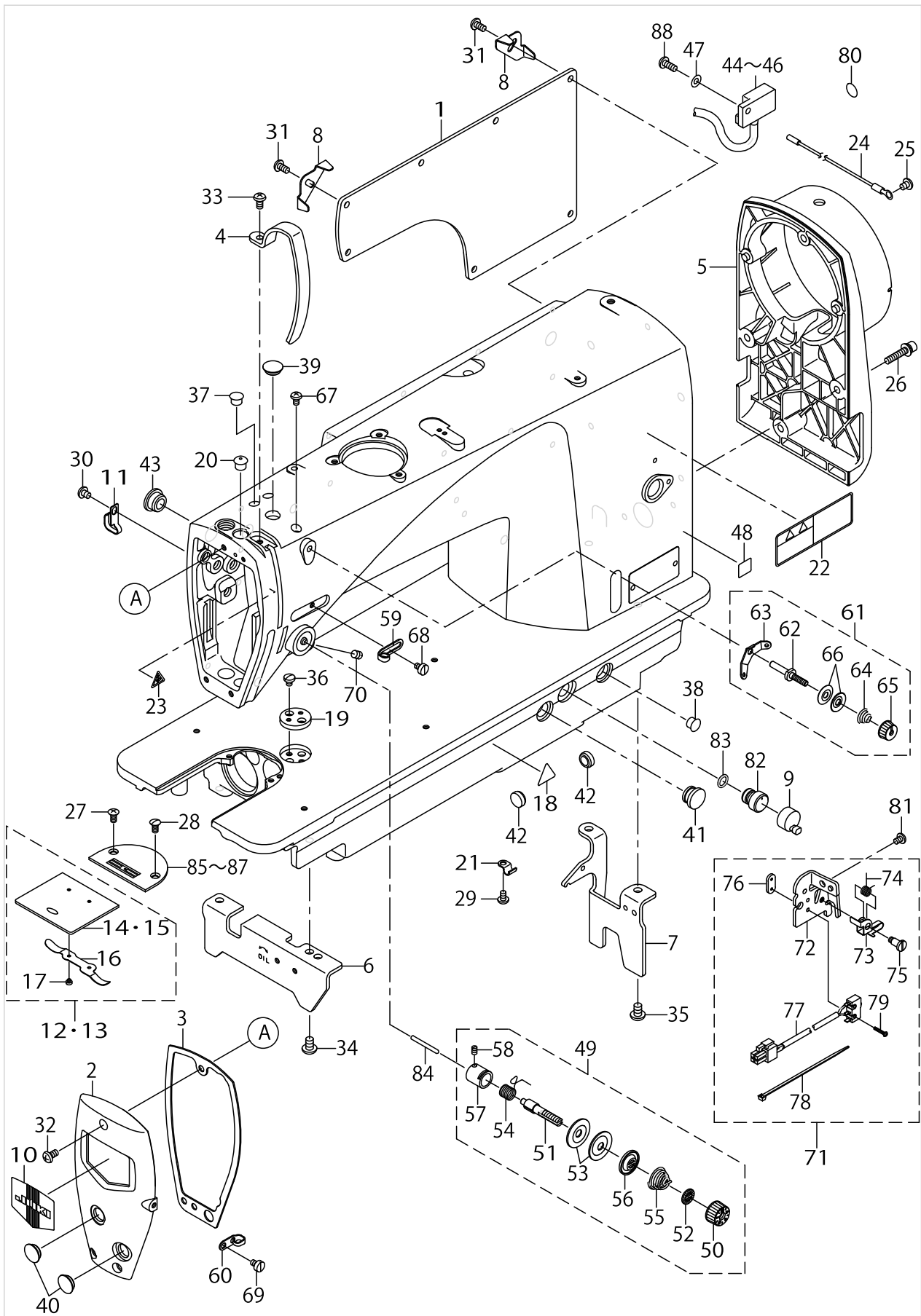
MACHINE FRAME & MISCELLANEOUS COVER COMPONENTS



MACHINE FRAME & MISCELLANEOUS COVER COMPONENTS

No.	Parts No.	Parts name	Remarks	Level	Cons	Qty
1	23600208	SIDE PLATE				1
2	23600307	FACE PLATE				1
3	23600406	FACE PLATE PACKING				1
4	23600505	THREAD TAKE-UP LEVER COVER				1
5	23600604	PULLEY COVER				1
6	23600703	BED STUD A				1
7	23600802	BED STUD B				1
8	22954705	CORD FIXING METAL FITTING				2
9	23601305	AIR-DISCHARGING CAP				1
10	22902506	FACE PLATE				1
11	40022407	CORD HOLDER				1
12	22901250	SLIDE PLATE ASM.	EXCEPT JH			1
13	22902753	SLIDE PLATE ASM.	FOR JH			1
14	22901201	SLIDE PLATE	EXCEPT JH	*		1
15	22902704	SLIDE PLATE	FOR JH	*		1
16	22901300	SLIDE PLATE SPRING		*		1
17	SS6060210SP	SCREW 3/32-56 L= 1.9		*		2
18	CM300200003	ATTENTION LABEL				1
19	22902605	RULER STOP SEAT				1
20	22901409	NEEDLE BAR UPPER BUSH CAP				1
21	B3538112000	OIL RETURN TUBE HOLDER				1
22	CM301300001	SAFETY LABEL				1
23	CM300200001	ATTENTION SEAL				1
24	23601057	EARTH CORD ASM.	FOR GENERAL EXPORT,JA,JE			1
25	SS4120615SP	SCREW 3/16-28 L=6	FOR GENERAL EXPORT,JA,JE			1
26	SL6052592TN	BOLT				4
27	SS2110915SP	SCREW 11/64-40 L=8.5				1
28	SS2110920TP	SCREW 11/64-40 L=8.5				1
29	SS4110715SP	SCREW 11/64-40 L=7				1
30	SS4120615SP	SCREW 3/16-28 L=6				1
31	SS4120915SP	SCREW 3/16-28 L=9				7
32	SS4120915SP	SCREW 3/16-28 L=9				3
33	SS4120915SP	SCREW 3/16-28 L=9				1
34	SS4150915SP	SCREW 15/64-28 L=9				2
35	SS4150915SP	SCREW 15/64-28 L=9				2
36	SS7110540SP	SCREW 11/64-40 L=5				2
37	TA0850604R0	RUBBER PLUG				1
38	TA0850604R0	RUBBER PLUG				1
39	TA1250406R0	RUBBER PLUG D=12.5 L=4				1
40	TA1250406R0	RUBBER PLUG D=12.5 L=4				2
41	TA1250705R0	RUBBER PLUG				1
42	TA1270502R0	RUBBER PLUG				2
43	TA1470704R0	RUBBER PLUG				1
44	M6022350AAA	RESISTOR PACK AA ASM.	FOR JA			1
45	M6022350AAL	RESISTOR PACK AL ASM.	FOR GENERAL EXPORT, USE IN JAPAN,JH			1
46	M6022350AAF	RESISTOR PACK AF ASM.	FOR JE			1

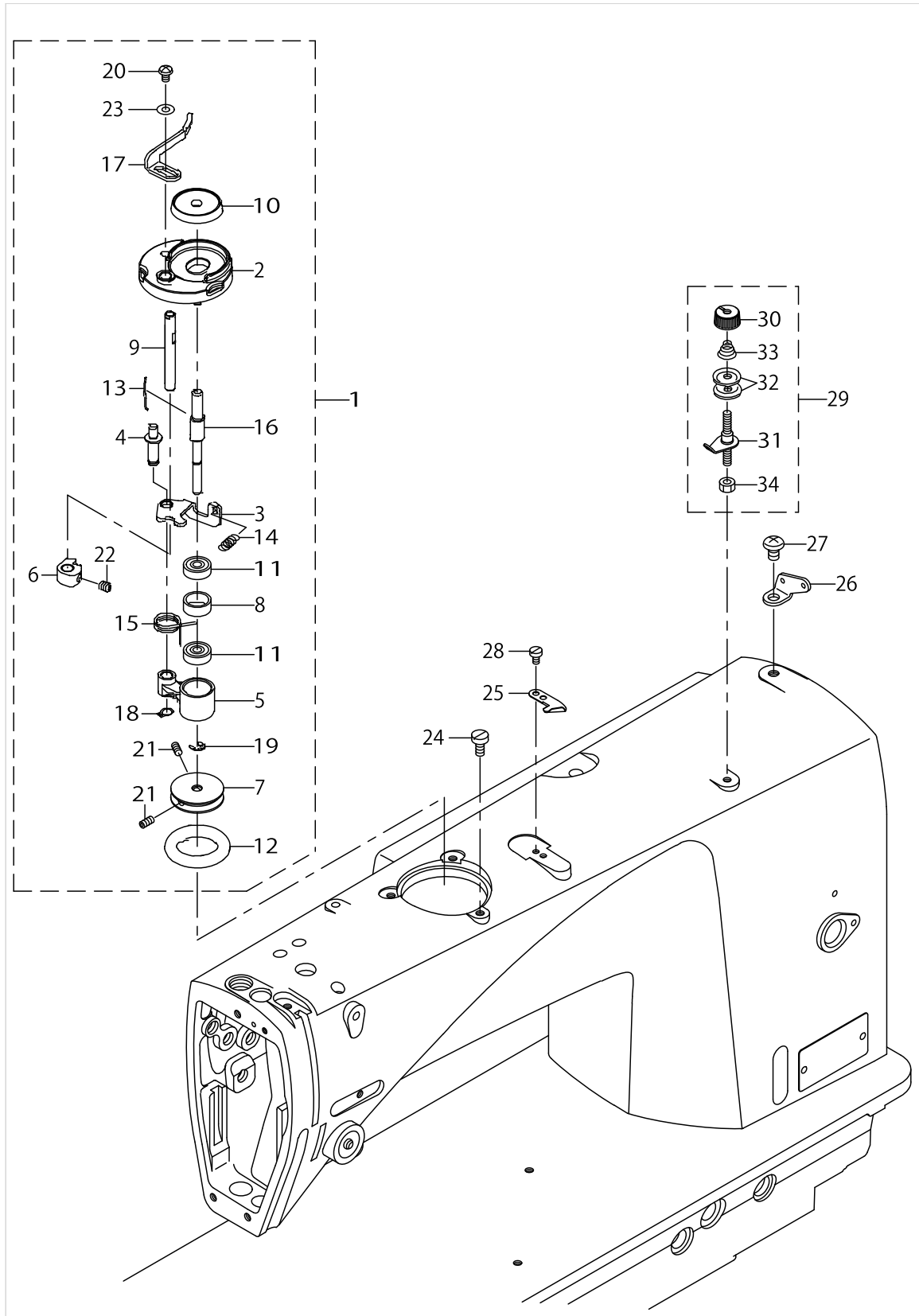
MACHINE FRAME & MISCELLANEOUS COVER COMPONENTS



MACHINE FRAME & MISCELLANEOUS COVER COMPONENTS

No.	Parts No.	Parts name	Remarks	Level	Cons	Qty
47	WP0501016SD	WASHER 5X10.5X1				1
48	CM600100101	WEEE MARK LABEL S	FOR JE			1
49	23627359	THREAD TENSION ASM.				1
50	23626005	THREAD TENSION NUT		*		1
51	B3115552000	TENSION POST		*		1
52	B3120125000	ROTATING STOPPER		*		1
53	B3126012000	THREAD TENSION DISK		*		2
54	B3128012000	TAKE-UP SPRING		*		1
55	B3129012A00	TENSION SPRING		*		1
56	B3132552000	THREAD TENSION DISK PRESSER		*		1
57	B3111126000	TENSION POST SOCKET		*		1
58	SS8090670SP	SCREW 9/64-40 L= 5.5		*		1
59	23626104	ARM THREAD GUIDE A				1
60	22920607	ARM THREAD GUIDE B				1
61	22945463	THREAD TENSION ASM. ,NO.1				1
62	22945414	THREAD TENSION POST		*		1
63	22945604	THREAD TENSION GUIDE		*		1
64	22945505	THREAD TENSION SPRING		*		1
65	22945703	THREAD TENSION NUT		*		1
66	22945802	THREAD TENSION DISK		*		2
67	SS4110715SP	SCREW 11/64-40 L=7				1
68	SS6110610TP	SCREW 11/64-40 L=6				1
69	SS6110610TP	SCREW 11/64-40 L=6				1
70	SS8150710TP	SCREW 15/64-28 L=7				1
71	23638059	SAFETY SWITCH ASM.				1
72	23638000	SAFETY SWITCH BASE		*		1
73	23638109	SAFETY SWITCH ARM		*		1
74	23638208	SAFETY SWITCH SPRING		*		1
75	23638307	SAFETY SWITCH ARM SHAFT		*		1
76	23638406	SAFETY SWITCH NUT		*		1
77	23638554	SAFETY SWITCH CORD ASM.		*		1
78	EA9500B0100	CABLE BAND		*		1
79	SM4021201SC	SCREW M2 L=12		*		2
80	22901805	GROUND MARK	FOR GENERAL EXPORT,JA,JE			1
81	SS4110615SP	SCREW 11/64-40 L=6				1
82	23629900	AIR-DISCHARGING				1
83	RO080150200	RUBBER RING				1
84	B3118552F00	TENSION RELEASING PIN				1
85	B1109012I0B	THROAT PLATE (I)	FOR JE,GENERAL EXPORT			1
86	11028008	THROAT PLATE	FOR USE IN JAPAN			1
87	B1109552000	THROAT PLATE	FOR JA,JH			1
88	SS4121215SP	SCREW 3/16-28 L=12				1

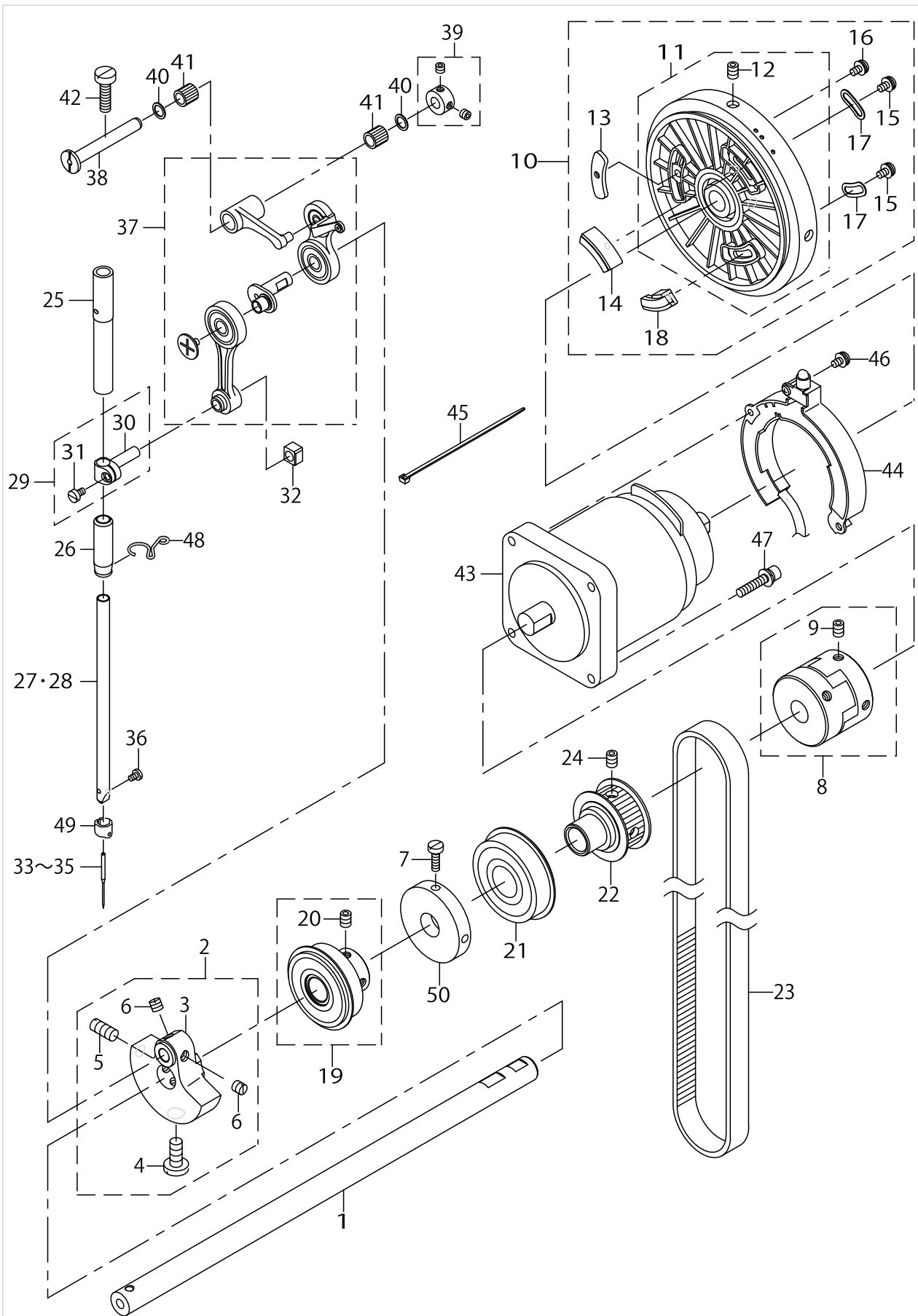
BOBBIN WINDER COMPONENTS



BOBBIN WINDER COMPONENTS

No.	Parts No.	Parts name	Remarks	Level	Cons	Qty
1	40023021	BOBBIN WINDER UNIT				1
2	26260109	BTW_BASE		*		1
3	26260208	BTW_CAM_PLATE		*		1
4	26260307	BTW_BASE_SHAFT		*		1
5	26260406	BTW_SHAFT_BASE		*		1
6	26260505	BTW_CAM_LEVER		*		1
7	26260604	BTW_WHEEL		*		1
8	26260802	BTW_BEARING_SPACER		*		1
9	26261008	BTW_LEVER_SHAFT		*		1
10	26261206	BTW_SPACER		*		1
11	26261305	BTW_BEARING		*		2
12	26261503	BTW_WHEEL_RUBBER		*		1
13	26261602	BOBBIN_SPRING		*		1
14	26261701	BTW_SPRING		*		1
15	40011144	BTW_TORSION_SPRING		*		1
16	40014837	BTW_SHAFT		*		1
17	40023022	BTW LEVER		*		1
18	RC0560711KP	RETAINING RING		*		1
19	RE0400000K0	E-RING 4		*		1
20	SM5040655SN	SCREW		*		1
21	SM8040802TP	SCREW M4X8		*		2
22	SM8050502TP	SCREW M5 L=5		*		1
23	WP0450826SC	WASHER 4.5X10X0.8		*		1
24	SS6121030SN	SCREW 3/16-28 L=10				3
25	10502300	THREAD CUTTER				1
26	40023291	THREAD GUIDE NO.1				1
27	SS4150915SP	SCREW 15/64-28 L=9				1
28	SS6090620TP	SCREW				2
29	23636657	BOBBIN THREAD TENSION ASM.				1
30	11072402	THREAD TENSION NUT		*		1
31	14113450	BOBBIN THREAD TENSION ROD ASM.		*		1
32	B3126012000	THREAD TENSION DISK		*		2
33	D7133555B00	CONNECTING ROD SPRING		*		1
34	NS6110530SP	NUT 11/64-40		*		1

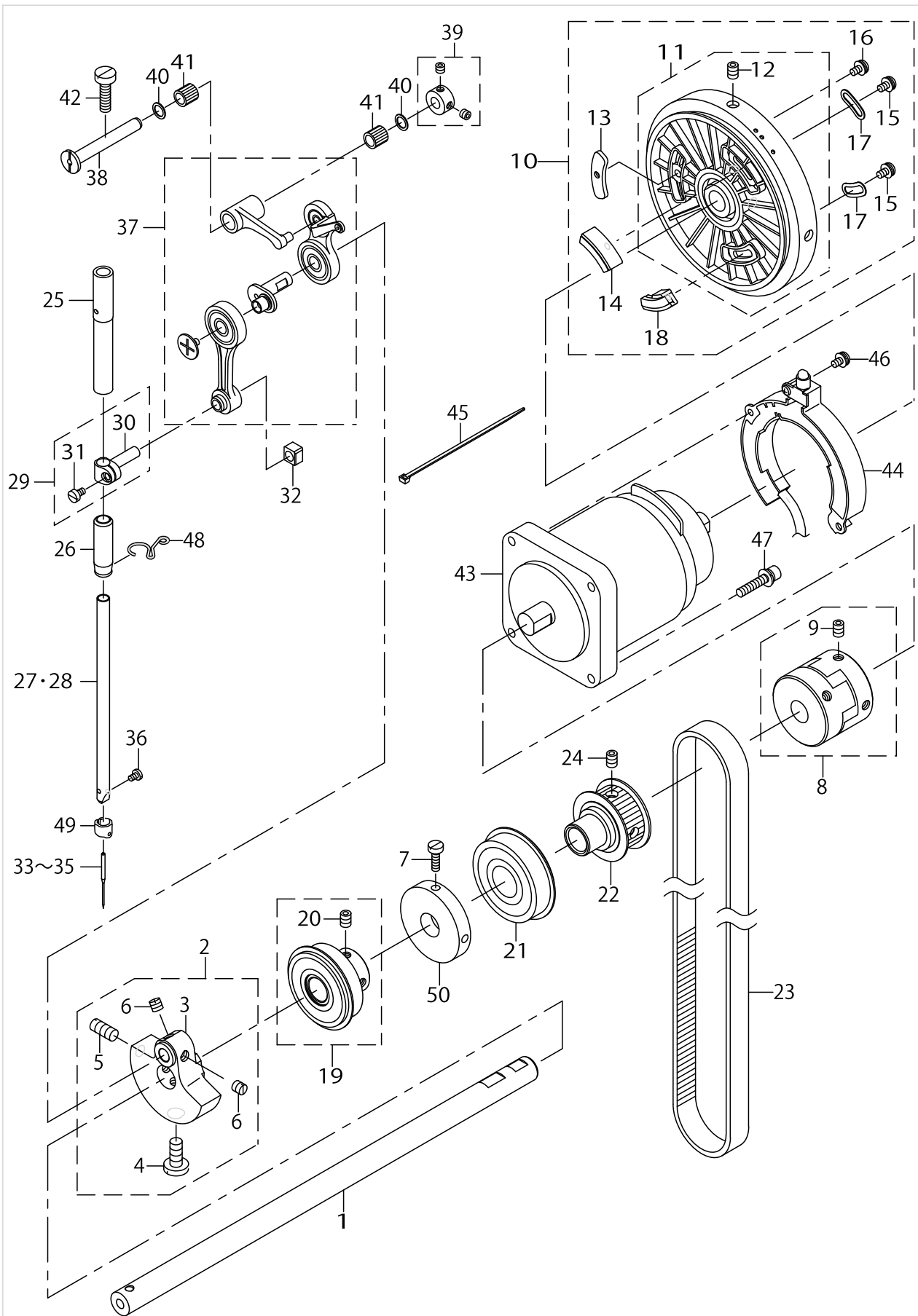
MAIN SHAFT & NEEDLE BAR COMPONENTS



MAIN SHAFT & NEEDLE BAR COMPONENTS

No.	Parts No.	Parts name	Remarks	Level	Cons	Qty
1	23604010	MAIN SHAFT				1
2	23604168	COUNTER WEIGHT ASM.				1
3	23604119	COUNTER WEIGHT		*		1
4	SS7681650TP	SCREW 9/32-28 L=16		*		1
5	SS8681650TP	SCREW 9/32-28 L=16		*		1
6	SS8660610TP	SCREW 1/4-40 L=6		*		2
7	SS6111440SP	SCREW 11/64-40 L=14.0				2
8	40051473	COUPLING ASM.				1
9	SM80608A2TP	L=8SCREW M6 L=8		*		4
10	23604457	HAND WHEEL ASM.				1
11	40044906	HAND WHEEL ASM.		*		1
12	SM8060812TP	SCREW M6 L=8		*		2
13	23604804	BALANCE PLATE		*		1
14	23604655	MAGNET BASE COMPL. .A		*		1
15	SL4040881SC	SCREW M4 L=8		*		2
16	SL4040881SC	SCREW M4 L=8		*		1
17	23605009	HAND WHEEL WASHER		*		2
18	23604754	MAGNET BASE COMPL. .B		*		1
19	23605256	BEARING COMPL.				1
20	SM80608A2TP	L=8SCREW M6 L=8		*		2
21	SB120000800	BEARING				1
22	40039946	SPROCKET ASM.				1
23	23607302	TIMING BELT				1
24	SM8060812TP	SCREW M6 L=8				2
25	23608003	NEEDLE BAR METAL,UPPER				1
26	23608102	NEEDLE BAR METAL,LOWER				1
27	22939508	NEEDLE BAR	EXCEPT JE			1
28	11141207	NEEDLE BAR B	FOR JE			1
29	22906457	NEEDLE BAR HOLDER ASM.				1
30	22906408	NEEDLE ROD HOLDER		*		1
31	SS6090670TP	SCREW 9/64-40 L=6		*		1
32	B1414555000	SLIDE BLOCK				1
33	MDB100B1400	NEEDLE DBX1 #14	FOR GENERAL EXPORT,JA,JH			1
34	MDB100B1100	NEEDLE DBX1 #11	FOR USE IN JAPAN			1
35	MC200500750	NEEDLE 134 NM75	FOR JE			1
36	SS7080510TP	SCREW 1/8-44 L=4.5				1
37	23622061	THREAD TAKE-UP ASM.				1
38	23622400	THREAD TAKE-UP CRANK SHAFT				1
39	40010434	THRUST_COLLAR_ASM.				1
40	22891204	BEARING SUPPORT				2
41	SB307000200	BEARING				2
42	SS6151920TP	SCREW 15/64-28 L=19.0				1
43	40028014	AC SERVO MOTOR				1
44	M68014710A0	SYNC ASM.				1
45	EA9500B0100	CABLE BAND				2
46	SL4040881SC	SCREW M4 L=8				2
47	SL6052592TN	BOLT				4

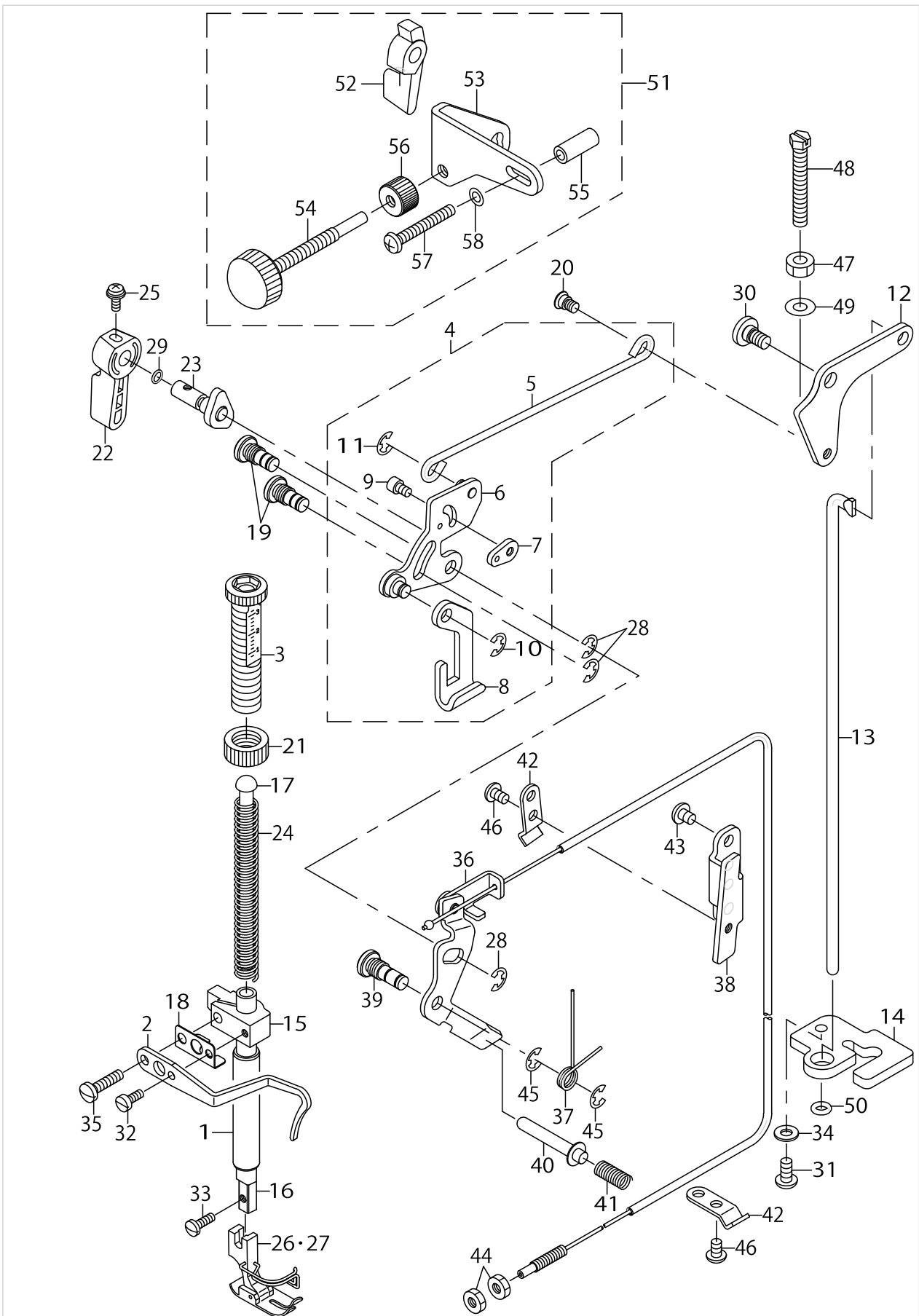
MAIN SHAFT & NEEDLE BAR COMPONENTS



## MAIN SHAFT & NEEDLE BAR COMPONENTS

No.	Parts No.	Parts name	Remarks	Level	Cons	Qty
48	23626203	NEEDLE BAR THREAD GUIDE				1
49	22906309	NEEDLE BAR THREAD GUIDE				1
50	40020455	BTW DRIVING WHEEL				1

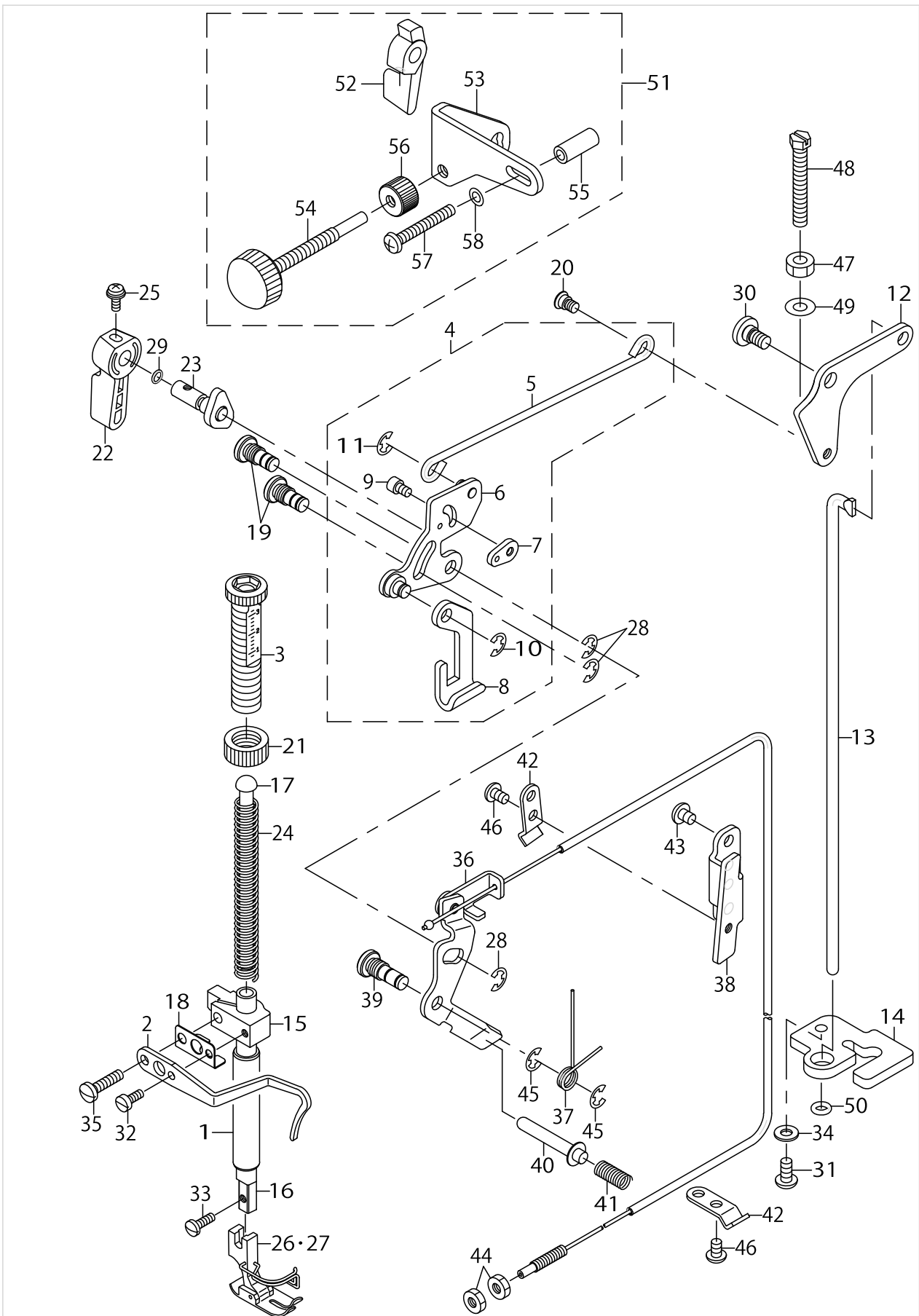
HAND LIFTER & TENSION RELEASE COMPONENTS



HAND LIFTER & TENSION RELEASE COMPONENTS

No.	Parts No.	Parts name	Remarks	Level	Cons	Qty
1	23609001	BUSHING				1
2	23609100	PRESSER BAR THREAD GUIDE				1
3	23609209	PRESSER SPRING REGULATOR				1
4	23609357	LIFTING LEVER CONNECT ROD ASM.				1
5	23609308	LIFTING LEVER CONNECT ROD		*		1
6	23609456	LIFTING LINK COMPL.		*		1
7	23609605	PLATE		*		1
8	22908008	LIFTING PLATE		*		1
9	SM6040602TP	SCREW M4 L=6		*		1
10	RE0500000K0	E-RING		*		1
11	RE0500000K0	E-RING		*		1
12	23609704	LIFTING LEVER LINK				1
13	23609803	CONNECTING ROD				1
14	23609902	CONNECTING ROD GUIDE				1
15	23610108	PRESSER BAR GUIDE BRACKET				1
16	23610207	PRESSER BAR				1
17	23610306	PRESSER GUIDE BAR				1
18	23610405	GUIDE BRACKET PLATE				1
19	22908701	LINK SHAFT				2
20	22908909	HINGE SCREW				1
21	22907604	PRESSER SPRING REGULATOR NUT				1
22	22907802	HAND LIFTER				1
23	22908552	HAND LIFTER CAM ASM.				1
24	22907406	PRESSER SPRING				1
25	B1521555000	SCREW				1
26	B15240120BA	PRESSER FOOT ASM.	EXCEPT JA			1
27	B15245520BA	PRESSER FOOT ASM.	FOR JA			1
28	RE0500000K0	E-RING				3
29	RO037180100	RUBBER RING				1
30	SD0720331SP	HINGE SCREW D= 7.24 H= 3.3				1
31	SS4121015SP	SCREW 3/16-28 L=10				1
32	SS6090910SP	SCREW 9/64-40 L=9				1
33	SS7091110TP	SCREW 9/64-40 L=10.5				1
34	WP0501016SD	WASHER 5X10.5X1				1
35	SS7111810TP	SCREW 11/64-40 L=18				1
36	23626351	THREAD TENSION RELEASE WIRE				1
37	23626807	TENSION RELEASE RETURN SPRING				1
38	23626906	WIRE HOLDER BRACKET				1
39	22920102	TENSION RELEASE SHAFT				1
40	22920300	THREAD RELEASE SUPPORTING PIN				1
41	11018405	TENSION RELEASE PIN SPRING				1
42	22944508	WIRE PRESSER A				2
43	SS4120615SP	SCREW 3/16-28 L=6				2
44	NS6620310SP	NUT 3/16-32				2
45	RE0500000K0	E-RING				2
46	SS4110715SP	SCREW 11/64-40 L=7				2
47	NS6150310SP	NUT 15/64-28				1

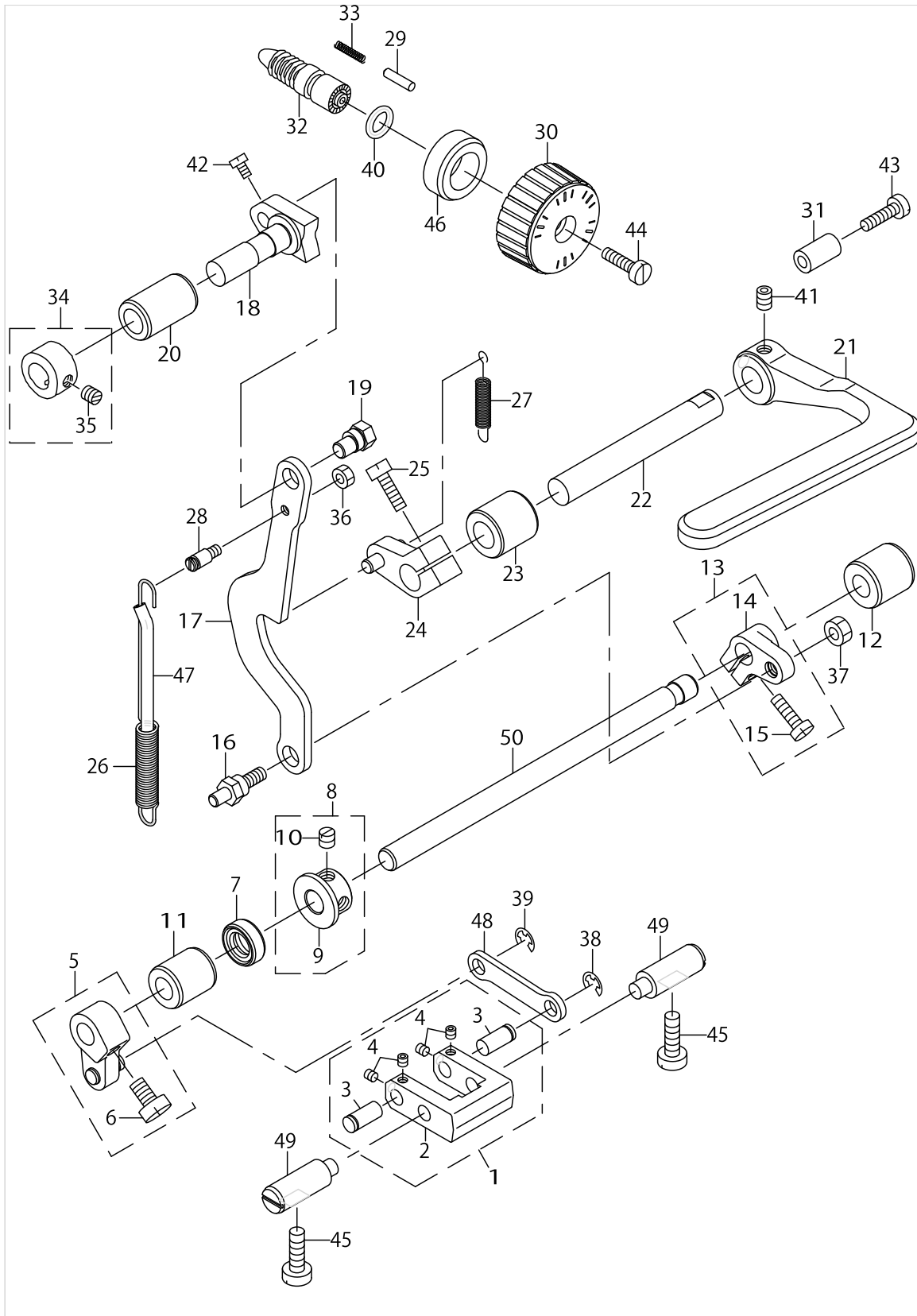
HAND LIFTER & TENSION RELEASE COMPONENTS



HAND LIFTER & TENSION RELEASE COMPONENTS

No.	Parts No.	Parts name	Remarks	Level	Cons	Qty
48	23610801	BOLT				1
49	WP0621016SD	WASHER 6.2X13X1				1
50	RO044240100	RUBBER RING				1
51	23611056	MINUTE LIFTING DEVICE ASM.	SPECIAL ORDER PART			1
52	23611106	HAND LIFTER		*		1
53	23610504	STOPPER BASE		*		1
54	23610652	STOPPER SCREW ASM.		*		1
55	11244019	STOPPER COLLAR		*		1
56	23610702	STOPPER SCREW NUT		*		1
57	11433802	SET SCREW		*		1
58	WP0480856SP	WASHER 4.8X8.4X0.8		*		1

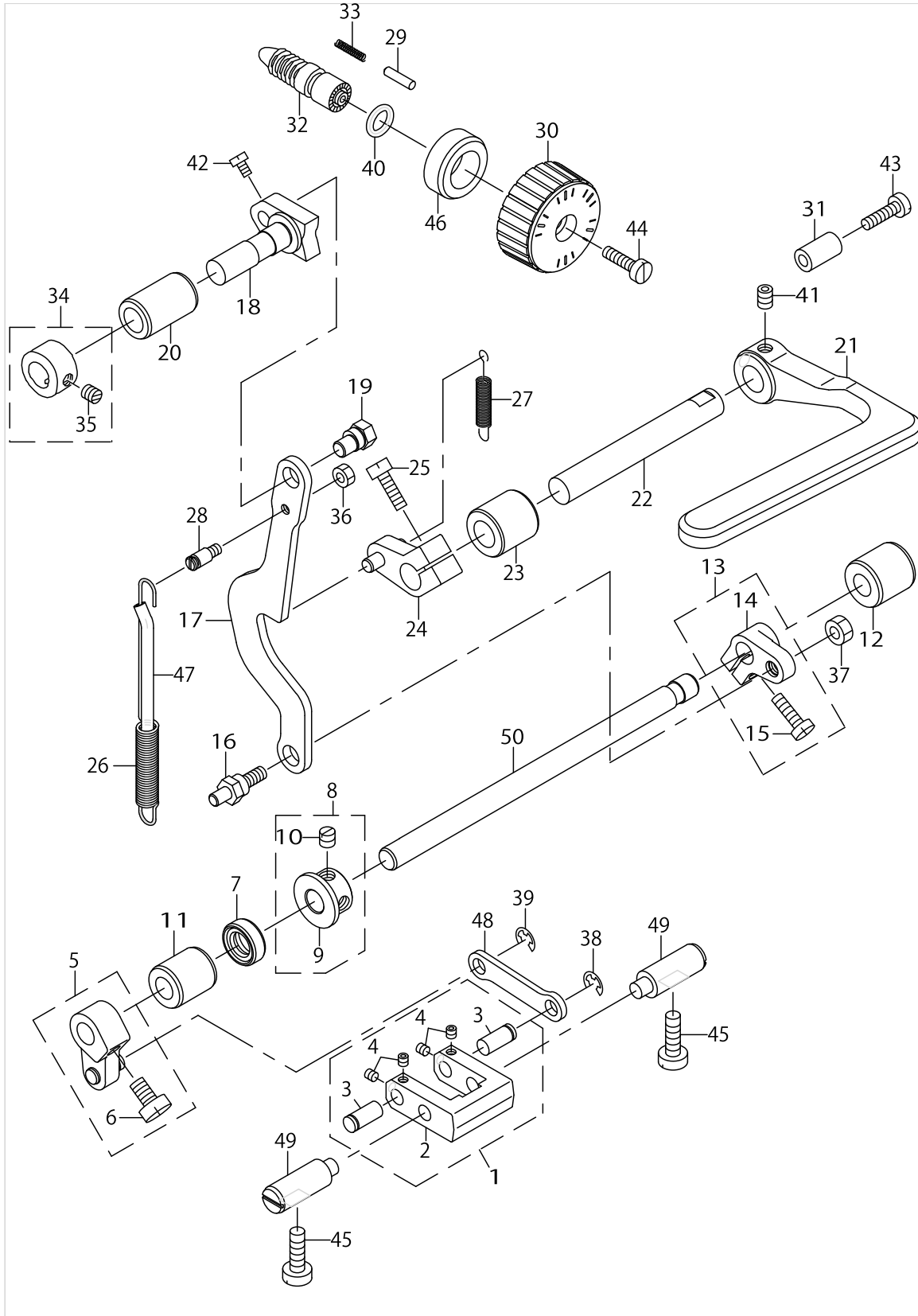
FEED ADJUST MECHANISM COMPONENTS



FEED ADJUST MECHANISM COMPONENTS

No.	Parts No.	Parts name	Remarks	Level	Cons	Qty
1	40033391	ADJUSTING LINK ASM.				1
2	40033392	ADJUSTING LINK		*		1
3	40033393	ADJUSTING LINK PIN		*		2
4	SM8040412TP	SET SCREW M4 L=4		*		4
5	23612450	FEED CHANGING SHAFT ARM ASM.,A				1
6	SS6661110SP	SCREW 1/4-40 L=11		*		1
7	23612609	FEED CHANGING SHAFT OIL SEAL				1
8	23612765	THRUST COLLAR ASM.				1
9	23612716	THRUST COLLAR		*		1
10	SS8660610TP	SCREW 1/4-40 L=6		*		2
11	23612807	METAL,A				1
12	40052274	METAL B				1
13	23613052	FEED CHANGING SHAFT ARM ASM.,B				1
14	23613003	FEED CHANGING SHAFT ARM,B		*		1
15	SS6121610SP	SCREW 3/16-28 L=15.5		*		1
16	23613102	FEED CHANGING SHAFT ARM B PIN				1
17	23613201	FEED ADJUSTING ROD				1
18	23613300	FEED ADJUSTING BASE				1
19	23613409	FEED ADJUSTING PIN				1
20	23613508	ADJUSTING BASE SHAFT METAL				1
21	23613607	FEED LEVER				1
22	23613706	FEED LEVER SHAFT				1
23	23613805	FEED LEVER SHAFT METAL				1
24	23613953	FEED LEVER ARM ASM.				1
25	SS6121610SP	SCREW 3/16-28 L=15.5				1
26	23614001	FEED ADJUSTING SPRING				1
27	23614308	FEED LEVER SPRING				1
28	40023289	SPRING SUSPENSION				1
29	22912000	FEED REGULATOR PIN				1
30	11071909	FEED DIAL				1
31	22952501	BACK LEVER STOPPER				1
32	22911804	FEED REGULATOR SCREW				1
33	22912109	FEED REGULATOR PIN SPRING				1
34	CS111101ESH	COLLAR ASM. D=11.11 W=10				1
35	SS8660330SP	SCREW 1/4-40 L= 3.0		*		2
36	NS6110310SP	NUT 11/64-40				1
37	NS6150310SP	NUT 15/64-28				1
38	RE0500000K0	E-RING				1
39	RE0500000K0	E-RING				1
40	RO092270200	RUBBER RING				1
41	SM8060812TP	SCREW M6 L=8				2
42	SS6090670TP	SCREW 9/64-40 L=6				2
43	SS6121840SP	SCREW 3/16-28 L=18				1
44	SS6121860SP	SCREW 3/16-28 L=18				1
45	SS6151920TP	SCREW 15/64-28 L=19.0				2
46	23614407	FEED DIAL RUBBER				1
47	23630007	TUBE				0.09

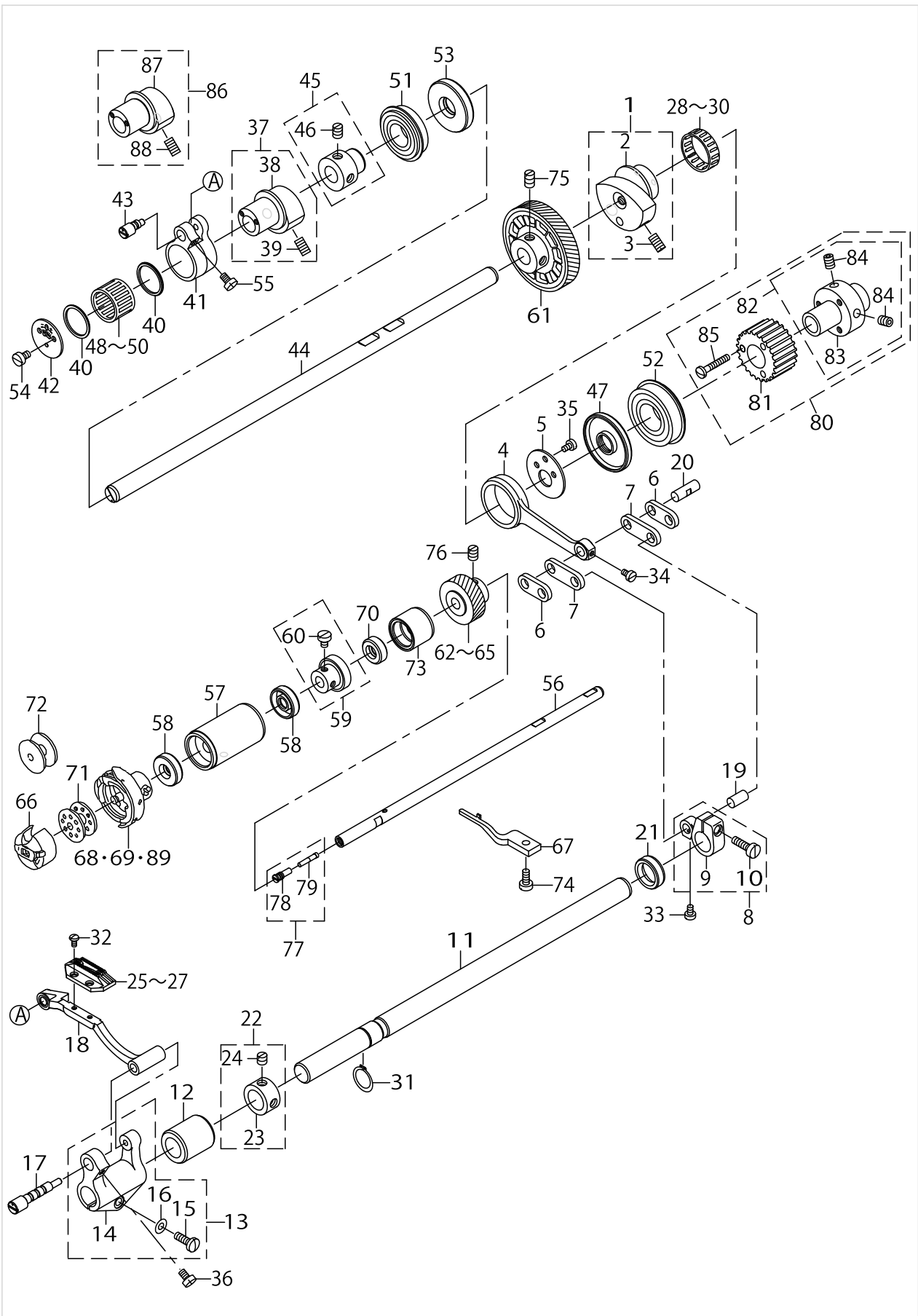
FEED ADJUST MECHANISM COMPONENTS



FEED ADJUST MECHANISM COMPONENTS

No.	Parts No.	Parts name	Remarks	Level	Cons	Qty
48	23612104	ADJUSTING LINK CONNECTING LINK				1
49	40012032	ADJUSTING LINK FULCRUM SHAFT				2
50	23612500	FEED CHANGING SHAFT				1

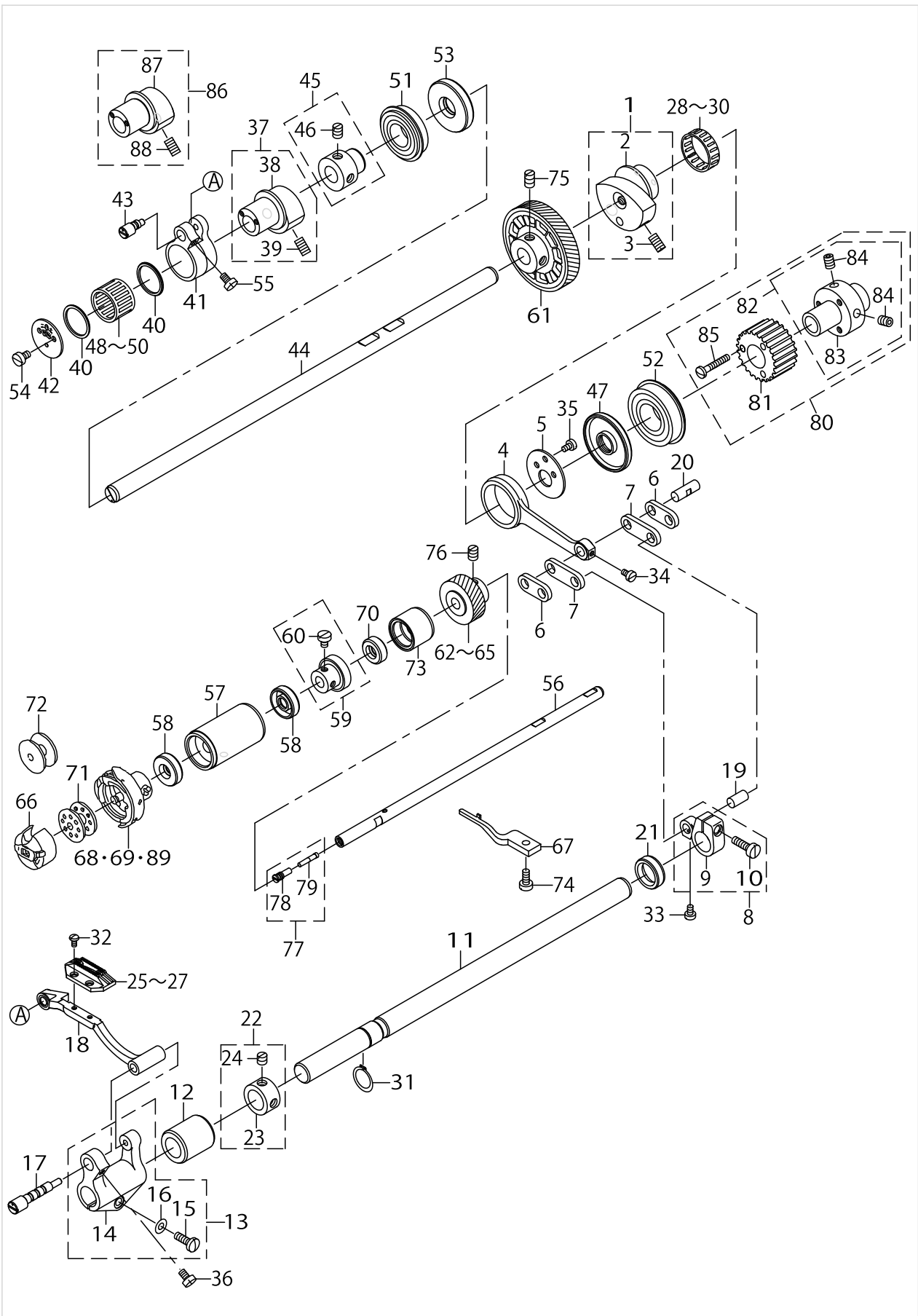
HORIZONTAL FEED, VERTICAL FEED & HOOK DRIVING SHAFT COMPONENTS



HORIZONTAL FEED, VERTICAL FEED & HOOK DRIVING SHAFT COMPONENTS

No.	Parts No.	Parts name	Remarks	Level	Cons	Qty
1	23616055	FEED ROCKER CAM ASM.				1
2	23616006	FEED ROCKER CAM		*		1
3	SS8151150TP	SCREW 15/64-28 L=10.5		*		2
4	23616105	FEED ROCKER ROD				1
5	23616204	FEED ROCKER CAM PLATE				1
6	23616303	CONNECTING LINK,A				2
7	23616402	CONNECTING LINK,B				2
8	23616550	FEED ROCKER ARM ASM.				1
9	23616501	FEED ROCKER ARM		*		1
10	SS6121610SP	SCREW 3/16-28 L=15.5		*		1
11	23616600	FEED ROCKER SHAFT				1
12	23616709	FEED ROCKER SHAFT METAL				1
13	23616857	FEED ROCKER BASE ARM ASM.				1
14	23616808	FEED ROCKER BASE ARM		*		1
15	SS7121410TP	SCREW 3/16-28 L=14		*		1
16	WP0480856SP	WASHER 4.8X8.4X0.8		*		1
17	23616907	FEED ROCKER BASE SHAFT				1
18	23617053	FEED BASE COMPL.				1
19	22911002	WALKING FOOT PIN B				1
20	22911101	WALKING FOOT PIN C				1
21	40029963	OIL SEAL				1
22	22904155	MAIN SHAFT THRUST COLLAR ASM.				1
23	22904106	MAIN SHAFT THRUST COLLAR		*		1
24	SS8660610TP	SCREW 1/4-40 L=6		*		2
25	B1613012I00	FEED DOG I	FOR GENERAL EXPORT,JE,JH			1
26	23614506	FEED DOG A	FOR USE IN JAPAN			1
27	B1613012I00	FEED DOG I	FOR JA			1
28	B412352200A	NEEDLE ROLLAR A	SELECTIVE PART			1
29	B412352200B	NEEDLE ROLLAR B	SELECTIVE PART			1
30	B412352200C	NEEDLE ROLLAR C	SELECTIVE PART			1
31	RC0150001KP	RETAINING RING 13.8				1
32	SS4080620TP	SCREW 1/8-44 L=6				2
33	SS6090620TP	SCREW				1
34	SS6090620TP	SCREW				1
35	SS6090670TP	SCREW 9/64-40 L=6				2
36	SS7110740TP	SCREW 11/64-40 L=7				1
37	23618051	FEED DRIVING CAM ASM.				1
38	23618002	FEED DRIVING CAM		*		1
39	SS8151150TP	SCREW 15/64-28 L=10.5		*		2
40	23618101	FEED DRIVING CAM THRUST BUSH				2
41	40022668	FEED DRIVING BASE ARM				1
42	23618309	FEED DRIVING CAM PLATE				1
43	23618408	FEED DRIVING BASE SHAFT				1
44	40011711	FEED DRIVING SHAFT				1
45	40044875	BEARING SUPPORT ASM.				1
46	SS8660810TP	SCREW 1/4-40 L=8		*		2
47	23618804	OIL SEAL				1

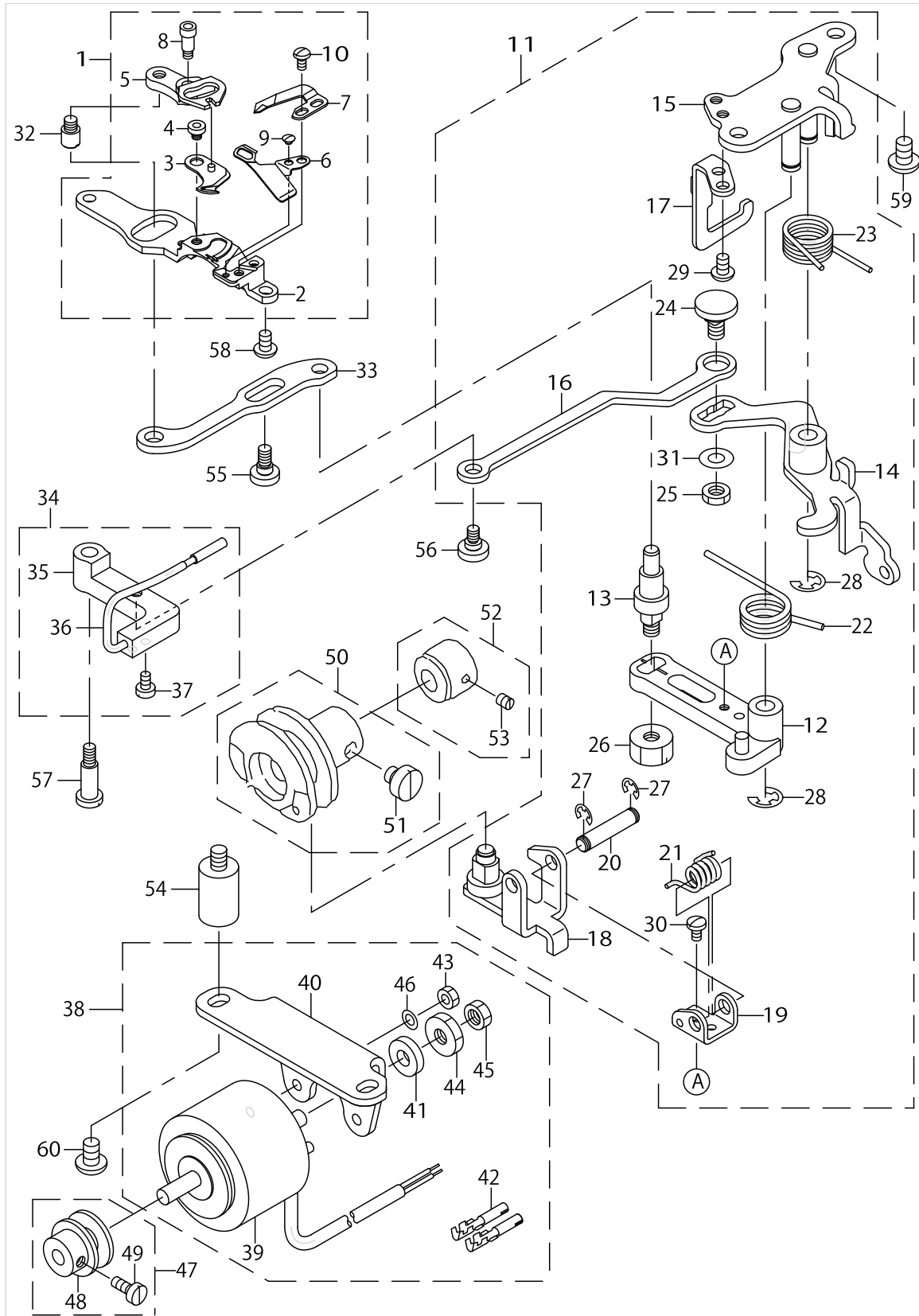
HORIZONTAL FEED, VERTICAL FEED & HOOK DRIVING SHAFT COMPONENTS



HORIZONTAL FEED, VERTICAL FEED & HOOK DRIVING SHAFT COMPONENTS

No.	Parts No.	Parts name	Remarks	Level	Cons	Qty
48	SB32000060A	BEARING	SELECTIVE PART			1
49	SB32000060B	BEARING	SELECTIVE PART			1
50	SB32000060C	BEARING	SELECTIVE PART			1
51	SB117000400	BEARING				1
52	SB120001000	BEARING				1
53	23618705	OIL SEAL				1
54	SS6090670TP	SCREW 9/64-40 L=6				2
55	SS6110710TP	SCREW 11/64-40 L= 6.5				1
56	23620008	HOOK SHAFT				1
57	23620156	HOOK SHAFT METAL COMPL.				1
58	23620206	OIL SEAL				2
59	23620354	BEARING SUPPORT ASM.				1
60	SS6110650TP	SCREW 11/64-40 L=5.5		*		2
61	23620503	GEAR,LARGE				1
62	23620701	GEAR,SMALL(A)	SELECTIVE PART			1
63	23620800	GEAR,SMALL(B)	SELECTIVE PART			1
64	23620909	GEAR,SMALL(C)	SELECTIVE PART			1
65	23621006	GEAR,SMALL(D)	SELECTIVE PART			1
66	11038759	BOBBIN CASE ASM.				1
67	11038809	BOBBIN CASE HOLDER				1
68	11141355	HOOK ASM. C	FOR GENERAL EXPORT,JE,JA			1
69	11038650	HOOK ASM.	FOR USE IN JAPAN,JH			1
70	22890008	HOOK DRIVING SHAFT OIL SEAL				1
71	B9117012000	BOBBIN	EXCEPT USE IN JAPAN			1
72	22964001	BOBBIN A	FOR USE IN JAPAN			1
73	23620404	HOOK SHAFT REAR METAL				1
74	SS6111010TP	SCREW 11/64-40 L= 9.5				1
75	SS8661030SP	SCREW 1/4-40 L=10				2
76	SS8660810TP	SCREW 1/4-40 L=8				2
77	22916555	OIL SEAL SCREW ASM.				1
78	22916506	SET SCREW		*		1
79	11015906	OIL WICK		*		1
80	40031608	SPROCKET ASM.				1
81	40031605	SPROCKET		*		1
82	40031607	SPROCKET SUPPORT ASM.		*		1
83	40031606	SPROCKET SUPPORT		*		1
84	SS8150822TP	SCREW 15/64-28 L=8		*		2
85	SS7112420SP	SCREW 11/64-40 L=24		*		3
86	23619158	FEED DRIVING CAM ASM. F	OPTIONAL PARTS			1
87	23619109	FEED DRIVING CAM F		*		1
88	SS8151150TP	SCREW 15/64-28 L=10.5		*		2
89	23621303	HOOK ASM. K	OPTIONAL PARTS			1

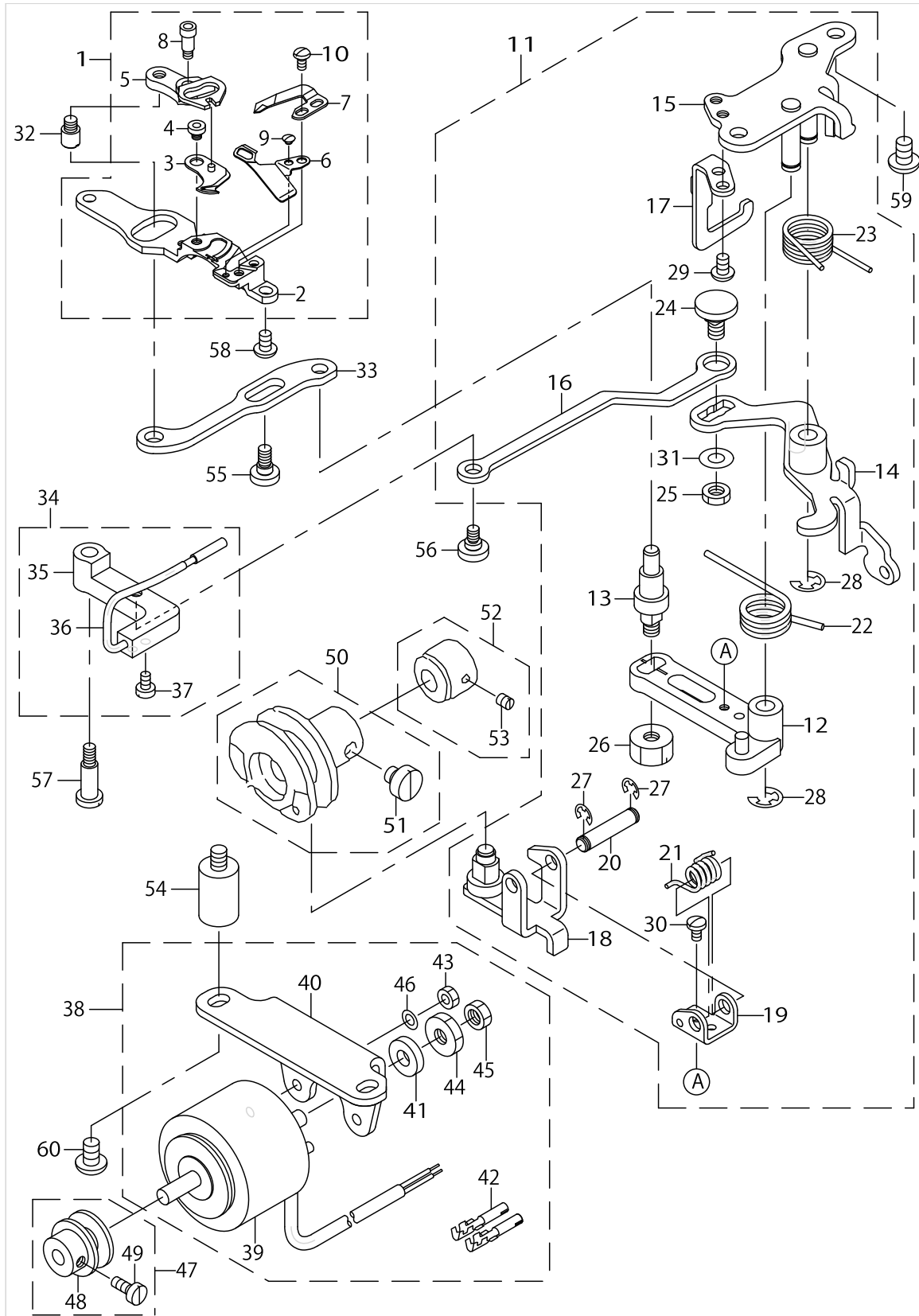
# THREAD TRIMMER COMPONENTS



THREAD TRIMMER COMPONENTS

No.	Parts No.	Parts name	Remarks	Level	Cons	Qty
1	23623051	KNIFE UNIT				1
2	23623002	KNIFE INSTALLING BASE		*		1
3	11040052	MOVING KNIFE ASM.		*		1
4	11040409	MOVING KNIFE HINGE SCREW		*		1
5	11040508	FORKED BASE FOR KNIFE		*		1
6	11313103	THREAD GUIDE FOR KNIFE		*		1
7	D2406555D0H	COUNTER KNIFE		*		1
8	SD0460703TP	HINGE SCREW D=4.6 H=7		*		1
9	SS2060210SP	SCREW 3/32-56 L=2.3		*		1
10	SS4080620TP	SCREW 1/8-44 L=6		*		2
11	23623168	THREAD TRIMMER DRIVING UNIT				1
12	23623150	KNIFE DRIVING ARM ASM.		*		1
13	23623200	MOVING KNIFE LINK PIN		*		1
14	23623358	CLUTCH PLATE ASM.		*		1
15	23623556	BASE PLATE ASM.		*		1
16	23623705	PICKER LINK		*		1
17	23623804	DRIVING ARM STOPPER		*		1
18	11040953	ROLLER ARM ASM.		*		1
19	22949002	ROLLER ARM SEAT		*		1
20	22949101	ROLLER FULCRUM SHAFT		*		1
21	22949200	ROLLER RETURN SPRING		*		1
22	11043700	KNIFE RETURN SPRING, B		*		1
23	22949408	CLUTCH SPRING		*		1
24	22950000	PICKER LINK PIN		*		1
25	NS6150310SP	NUT 15/64-28		*		1
26	NS6150810SP	NUT 15/64-28		*		1
27	RE0400000K0	E-RING 4		*		2
28	RE0600000K0	E-RING 6		*		2
29	SS4110715SP	SCREW 11/64-40 L=7		*		2
30	SS7090610SP	SCREW 9/64-40 L=6		*		1
31	WP0621016SH	WASHER		*		1
32	23623903	PIN				1
33	23624000	MOVING KNIFE LINK				1
34	23624158	PICKER ARM ASM.				1
35	23624109	PICKER ARM		*		1
36	23624257	THREAD TAKE-UP PICKER ASM.		*		1
37	SS6090620TP	SCREW		*		2
38	23624356	SOLENOID ASM.				1
39	23624307	SOLENOID		*		1
40	23624406	SOLENOID BASE		*		1
41	11043304	SOLENOID RUBBER		*		1
42	HK03464000B	PIN CONTACT		*		2
43	NM6040000SN	NUT M4		*		2
44	NS6660410SH	NUT		*		1
45	NS6660430SP	NUT 1/4-40		*		1
46	WP0450000SD	WASHER 4.5X8X0.5		*		2
47	23624554	DRIVING BLOCK ASM.				1

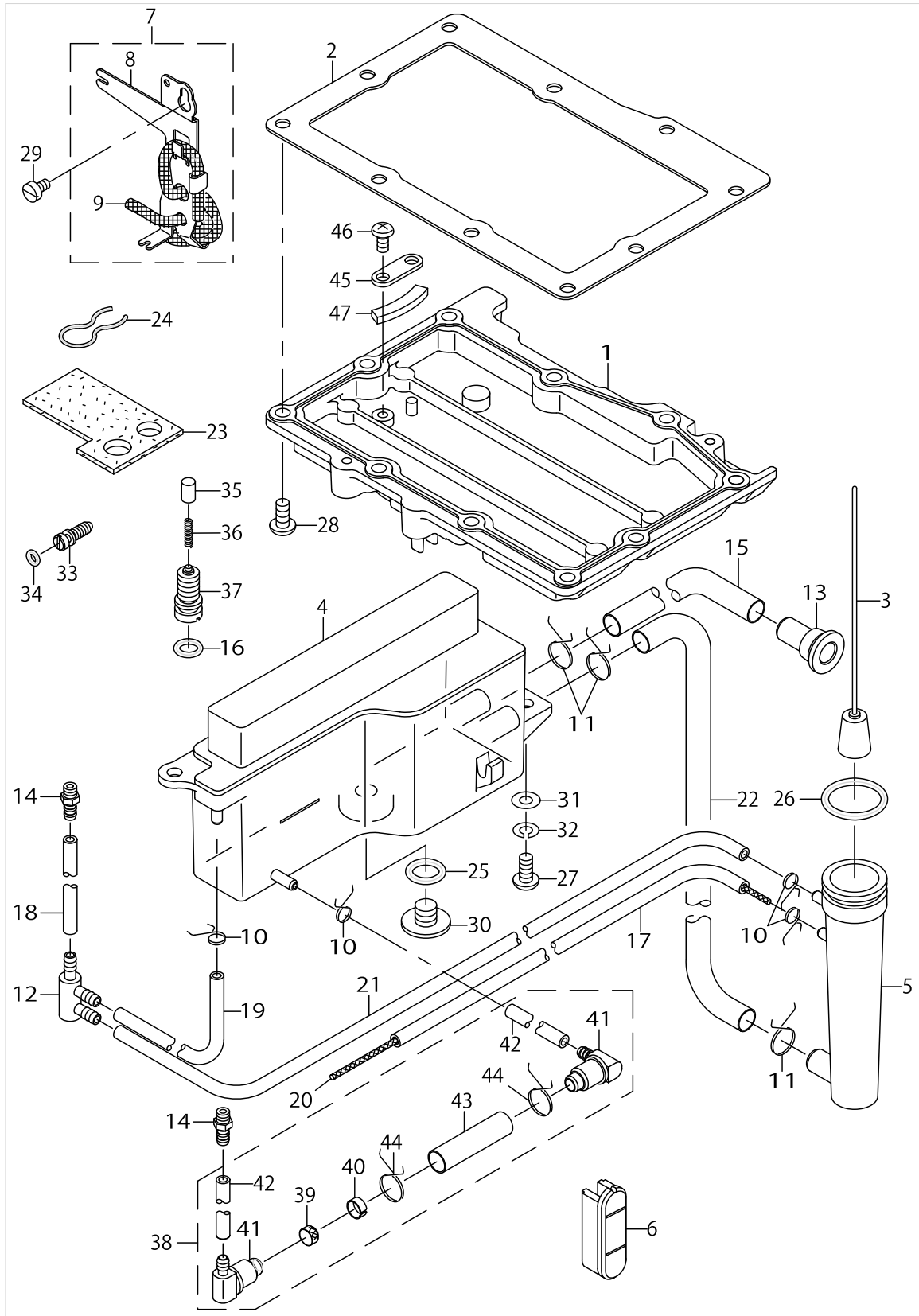
# THREAD TRIMMER COMPONENTS



THREAD TRIMMER COMPONENTS

No.	Parts No.	Parts name	Remarks	Level	Cons	Qty
48	23624505	DRIVING BLOCK		*		1
49	SS6110710TP	SCREW 11/64-40 L= 6.5		*		1
50	11042850	THREAD TRIMMER CAM ASM.				1
51	SS6660610TP	SCREW 1/4-40 L=6		*		2
52	22950950	CAM COLLAR ASM.				1
53	SS8110520TP	SCREW 11/64-40 L= 4.5		*		1
54	40023290	SOLENOID BASE STUD				2
55	SD0600321SP	HINGE SCREW D=6 H=3.2				1
56	SD0630275SP	HINGE SCREW D= 6.35 H= 2.7				1
57	SD0641452TP	HINGE SCREW D=6.35 H=14.5				1
58	SS4110715SP	SCREW 11/64-40 L=7				2
59	SS4150915SP	SCREW 15/64-28 L=9				2
60	SS4150915SP	SCREW 15/64-28 L=9				2

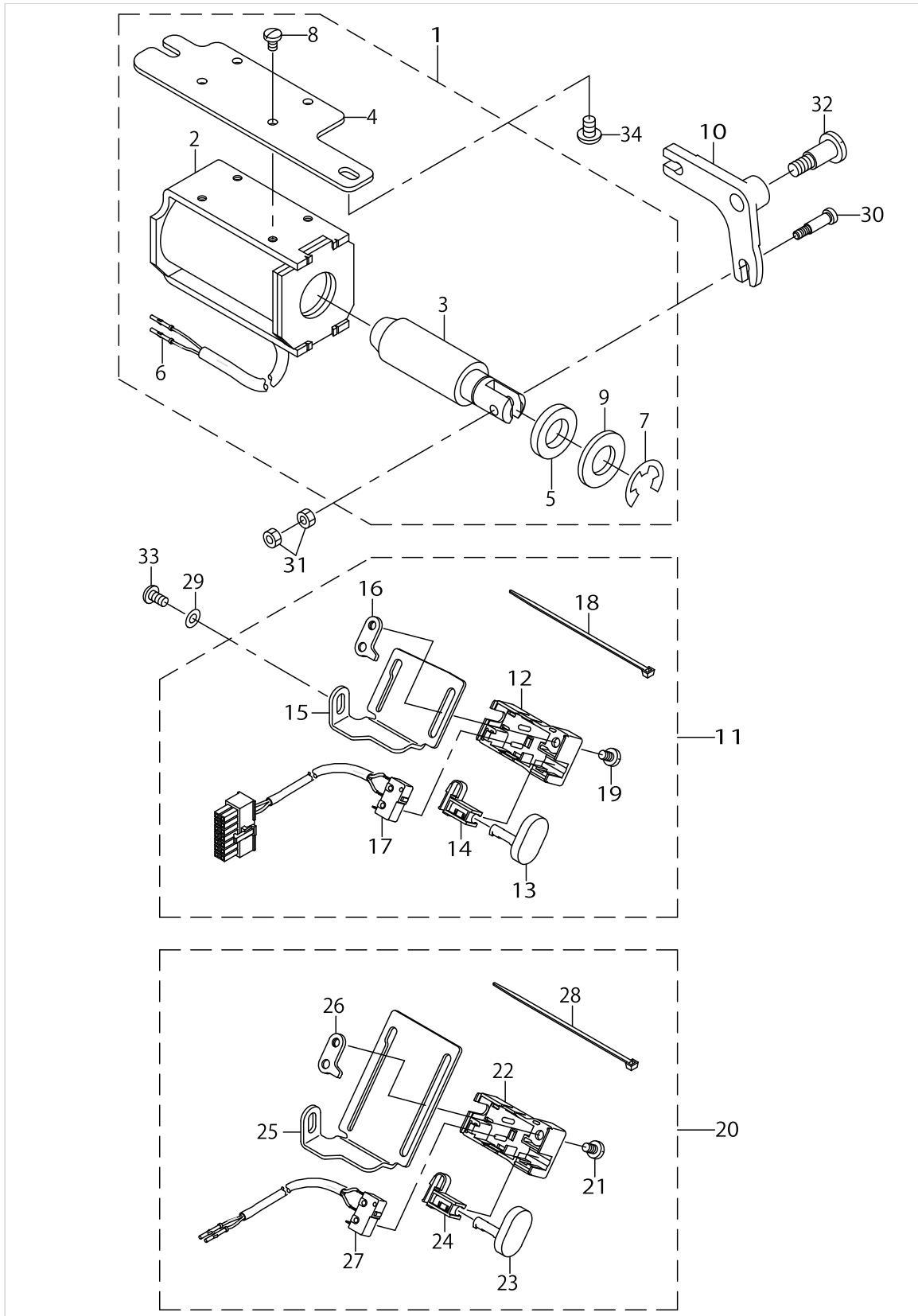
# OIL LUBRICATION COMPONENTS



OIL LUBRICATION COMPONENTS

No.	Parts No.	Parts name	Remarks	Level	Cons	Qty
1	40011344	GEAR BOX COVER				1
2	23628100	GEAR BOX PACKING				1
3	23628357	FLOATER ASM.				1
4	23628555	OIL TANK ASM.				1
5	23628704	FLOATER CASE				1
6	23629108	OIL SIGHT WINDOW				1
7	23629256	OIL WICK SUPPORT ASM.				1
8	23629207	OIL WICK SUPPORT		*		1
9	23629702	OIL WICK		*		0.25
10	23629306	PIPE STOPPER A				4
11	23629405	PIPE STOPPER B				3
12	23629504	DISTRIBUTOR				1
13	23629603	OIL INLET				1
14	23629801	LUBRICATION CONNECTOR				2
15	23630106	TUBE B				0.25
16	RO068190100	RUBBER RING				1
17	23630007	TUBE				0.57
18	23630007	TUBE				0.04
19	23630007	TUBE				0.07
20	CQ200000001	OIL WICK				0.75
21	23630007	TUBE				0.38
22	23630106	TUBE B				0.23
23	23630304	FELT				1
24	22925101	OIL FELT PRESSER				1
25	RO098240100	RUBBER RING				1
26	RO195240100	RUBBER RING				1
27	SS4121015SP	SCREW 3/16-28 L=10				2
28	SS4121015SP	SCREW 3/16-28 L=10				10
29	SS6090620TP	SCREW				1
30	23630205	SCREW				1
31	WP0501016SD	WASHER 5X10.5X1				2
32	WS0510002KP	SPRING WASHER 5.1X9.2X1.3				2
33	23628209	OIL ADJUSTING SCREW				1
34	RO029180100	RUBBER RING				1
35	23628803	PLUNGER				1
36	23628902	PLUNGER SPRING				1
37	23629009	PLUNGER SCREW				1
38	23630452	OIL FILTER ASM.				1
39	23630403	OIL FILTER		*		1
40	23630502	OIL FILTER STOPPER		*		1
41	23630601	OIL FILTER JOINT		*		2
42	23630007	TUBE		*		0.09
43	23630106	TUBE B		*		0.04
44	23629405	PIPE STOPPER B		*		2
45	40024644	MAGNET WASHER				1
46	ST4040821SS	TAPPING SCREW				1
47	23604705	MAGNET				1

# AUTOMATIC REVERSE FEED COMPONENTS



AUTOMATIC REVERSE FEED COMPONENTS

No.	Parts No.	Parts name	Remarks	Level	Cons	Qty
1	23631054	REVERSE FEED SOLENOID BASE ASM				1
2	23631005	REVERSE FEED SOLENOID		*		1
3	23631104	REVERSE FEED SOLENOID PLUNGER		*		1
4	23631203	REVERSE FEED SOLENOID BASE		*		1
5	D2468555B00	RUBBER PLUNGER		*		1
6	HK03464000B	PIN CONTACT		*		2
7	RE1200000K0	E-RING 12		*		1
8	SS7110740TP	SCREW 11/64-40 L=7		*		4
9	WP1703001SC	WASHER 17X30X3		*		1
10	23631302	REVERSE FEED ARM				1
11	23631757	REVERSE FEED SWITCH ASM.				1
12	23631708	REVERSE FEED SWITCH COVER		*		1
13	23631807	REVERSE FEED SWITCH SHAFT		*		1
14	23631906	REVERSE FEED SWITCH SUPPORT		*		1
15	23632003	REVERSE FEED SWITCH BASE		*		1
16	23632102	REVERSE FEED SWITCH BASE GUIDE		*		1
17	23632359	REVERSE FEED CORD ASM.		*		1
18	EA9500B0100	CABLE BAND		*		1
19	SS7110740TP	SCREW 11/64-40 L=7		*		1
20	23632656	OPTION SWITCH ASM.	OPTIONAL PARTS			1
21	SS7110740TP	SCREW 11/64-40 L=7		*		1
22	23631708	REVERSE FEED SWITCH COVER		*		1
23	23631807	REVERSE FEED SWITCH SHAFT		*		1
24	23631906	REVERSE FEED SWITCH SUPPORT		*		1
25	23632607	OPTION SWITCH BASE		*		1
26	23632102	REVERSE FEED SWITCH BASE GUIDE		*		1
27	23632250	REVERSE FEED CORD ASM.		*		1
28	EA9500B0100	CABLE BAND		*		1
29	WP0501016SD	WASHER 5X10.5X1	FOR 0B TYPE			1
30	22962906	PLUNGER ARM PIN				1
31	NS6110350SP	NUT 11/64-40				2
32	SD0951501SP	HINGE SCREW D= 9.53 H=15				1
33	SS4120915SP	SCREW 3/16-28 L=9				1
34	SS4150915SP	SCREW 15/64-28 L=9				2

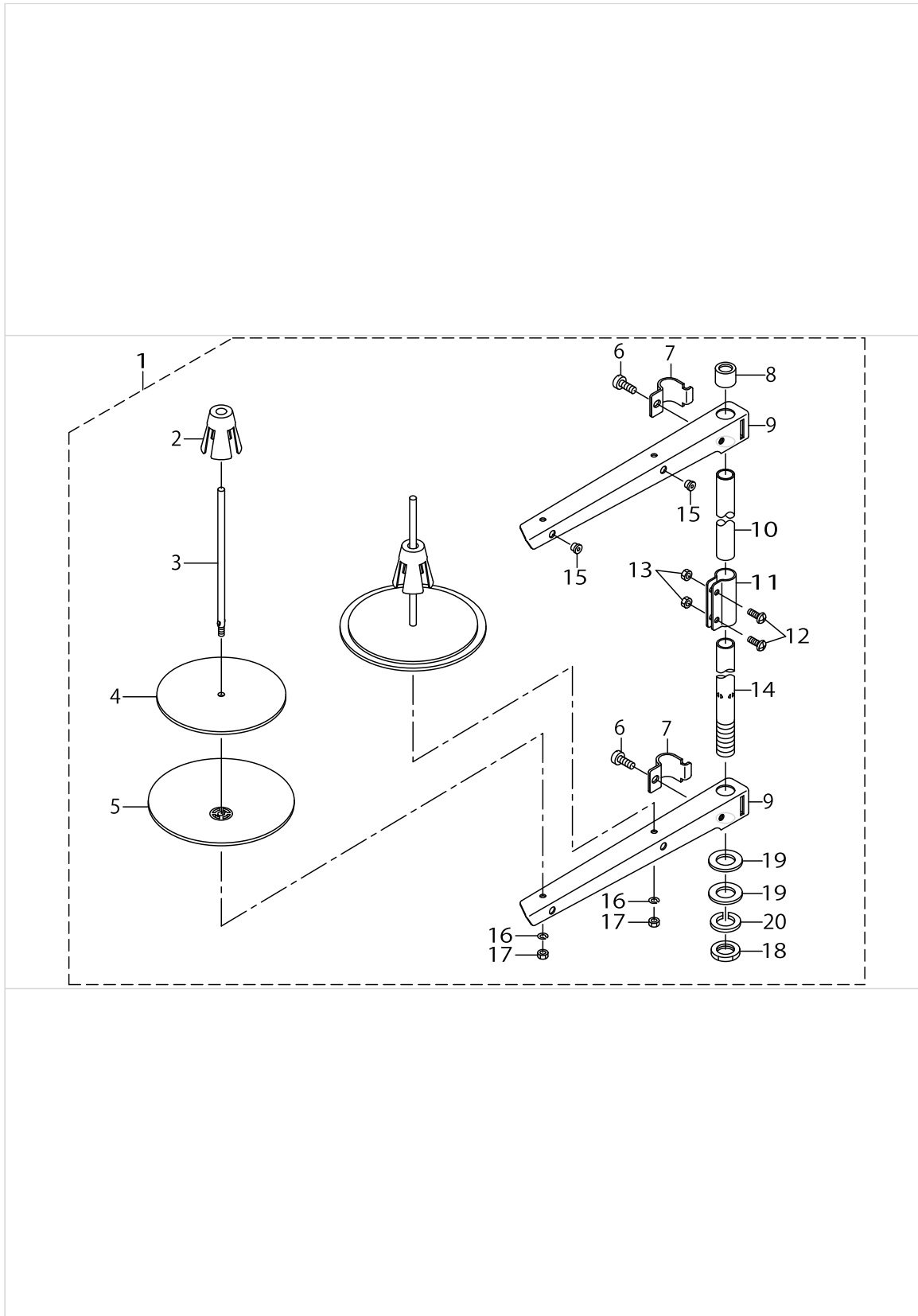
WIPER COMPONENTS(FOR DDL-9000-WB)



WIPER COMPONENTS(FOR DDL-9000-WB)

No.	Parts No.	Parts name	Remarks	Level	Cons	Qty
1	23633167	WIPER ASM.				1
2	23633159	WIPER BASE ASM.		*		1
3	23633209	WIPER LINK B		*		1
4	23633357	WIPER SHAFT ASM.		*		1
5	22955504	WIPER COVER		*		1
6	11110301	WIPER SOLENOID		*		1
7	22955900	WIPER RUBBER A		*		1
8	22956007	WIPER RUBBER B		*		1
9	22956106	WIPER LINK A		*		1
10	22956205	WIPER HINGE SCREW COLLAR		*		1
11	22956304	WIPER SPRING		*		1
12	22956809	WIPER COLLAR		*		1
13	22956908	WIPER LINK B HINGE SCREW		*		1
14	22957005	WIPER		*		1
15	22957203	WIPER LINK COLLAR		*		1
16	22957104	WIPER SOLENOID SHAFT		*		1
17	HA000590000	POWER SWITCH		*		1
18	HK03464000B	PIN CONTACT		*		2
19	HW200390000	ELECTRIC WIRE		*		0.04
20	HW500070000	2-CORE CABTYRE CORD		*		1.3
21	NS6090310SP	NUT 9/64-40		*		1
22	NS6110310SP	NUT 11/64-40		*		1
23	RE0250000K0	E-RING 2.5		*		1
24	RE0500000K0	E-RING		*		1
25	SD0650321TP	HINGE SCREW D=6.5 H=3.2		*		1
26	SL4030631SC	SCREW M3X6		*		1
27	SL4030641SE	SCREW		*		3
28	SS6090540SP	SCREW 9/64-40 L= 5.0		*		1
29	SS4120915SP	SCREW 3/16-28 L=9		*		2

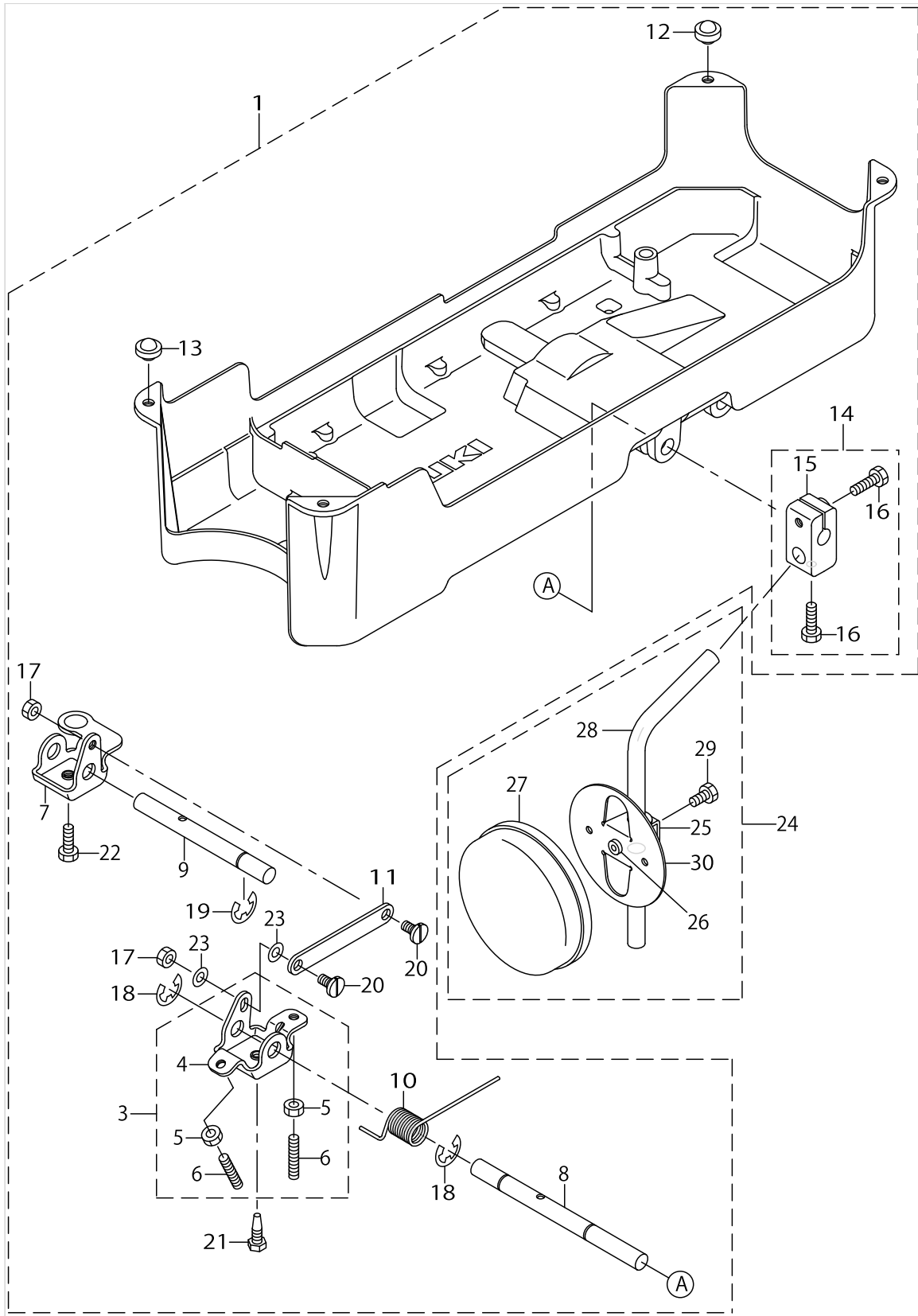
# THREAD STAND COMPONENTS



THREAD STAND COMPONENTS

No.	Parts No.	Parts name	Remarks	Level	Cons	Qty
1	22930358	THREAD STAND ASM.				1
2	22931109	SPOOL RETAINER		*		2
3	22931000	SPOOL PIN		*		2
4	22930903	SPOOL REST CUSHION		*		2
5	22930804	SPOOL REST		*		2
6	SM6061610SC	SCREW M6 L=16		*		2
7	22930705	THREAD GUIDE ARM JOINT		*		2
8	22931406	SPOOL REST ROD RUBBER CAP		*		1
9	22930507	SPOOL REST ARM		*		2
10	22930408	SPOOL REST ROD, UPPER		*		1
11	22931307	SPOOL REST ROD JOINT		*		1
12	SM4051405SE	SCREW M5 L=14		*		2
13	NM6050001SE	NUT M5		*		2
14	22930309	SPOOL REST ROD, LOWER		*		1
15	22931208	THREAD GUIDE		*		2
16	WS0510002KN	SPRING WASHER		*		2
17	NM6050001SE	NUT M5		*		2
18	NM6160511SE	NUT M16X1.5		*		1
19	WP1612616SE	WASHER 16X30X2.6		*		2
20	WS1643202KR	SPRING WASHER		*		1

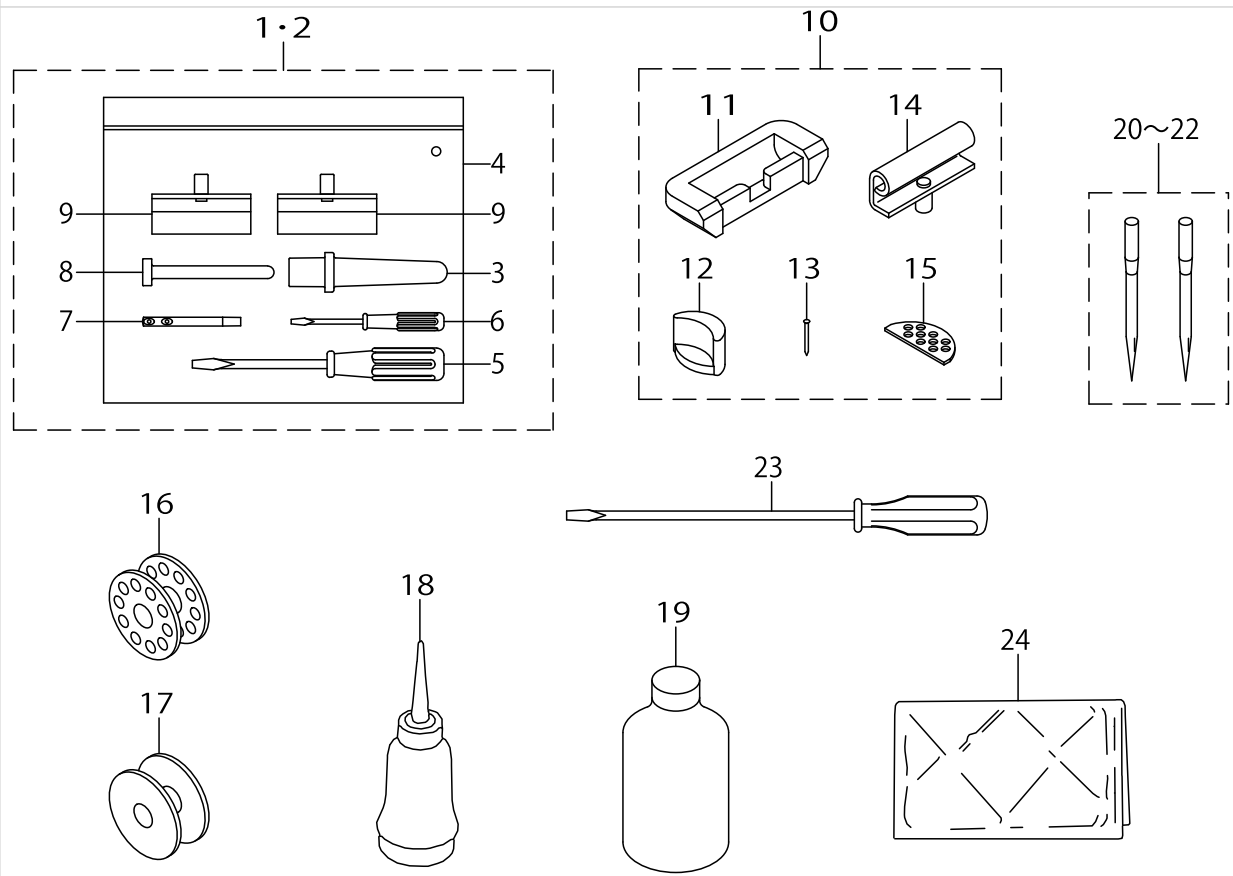
UNDER COVER COMPONENTS



UNDER COVER COMPONENTS

No.	Parts No.	Parts name	Remarks	Level	Cons	Qty
1	23639057	UNDER COVER ASM.				1
2	23639008	UNDER COVER		*		1
3	23639156	BRACKET ASM.		*		1
4	23639107	BRACKET		*		1
5	NM6060001SE	NUT M6		*		2
6	SM8063012TR	SCREW M6 L=30		*		2
7	23639206	CONNECTING ROT		*		1
8	23639305	KNEE PRESS ROD		*		1
9	23639404	SHAFT		*		1
10	23639503	SPRING		*		1
11	23639602	CONNECTING ROD		*		1
12	10162600	RUBBER CUSHION		*		2
13	11047107	RUBBER CUSHION		*		2
14	22932453	BRACKET ASM.		*		1
15	22932404	BRACKET		*		1
16	SM9062053SR	SCREW M6 L=20		*		2
17	NS6150310SP	NUT 15/64-28		*		2
18	RE1000000K0	E-RING 10		*		2
19	RE1000000K0	E-RING 10		*		1
20	SD0720331SP	HINGE SCREW D= 7.24 H= 3.3		*		2
21	SM9061853SR	SCREW M6 L=17.5		*		1
22	SM9061853SR	SCREW M6 L=17.5		*		1
23	WP0650876SD	WASHER 6.5X13X0.8		*		2
24	22934251	KNEE PAD PLATE ASM.				1
25	22934301	KNEE PAD PLATE SUPPORT		*		1
26	22934400	KNEE PAD PLATE RUBBER		*		1
27	22934509	KNEE PAD PLATE COVER		*		1
28	22934608	KNEE PAD UPRIGHT SHAFT		*		1
29	SM9061203SE	SCREW M6 L=12		*		1
30	22934202	KNEE PAD PLATE		*		1

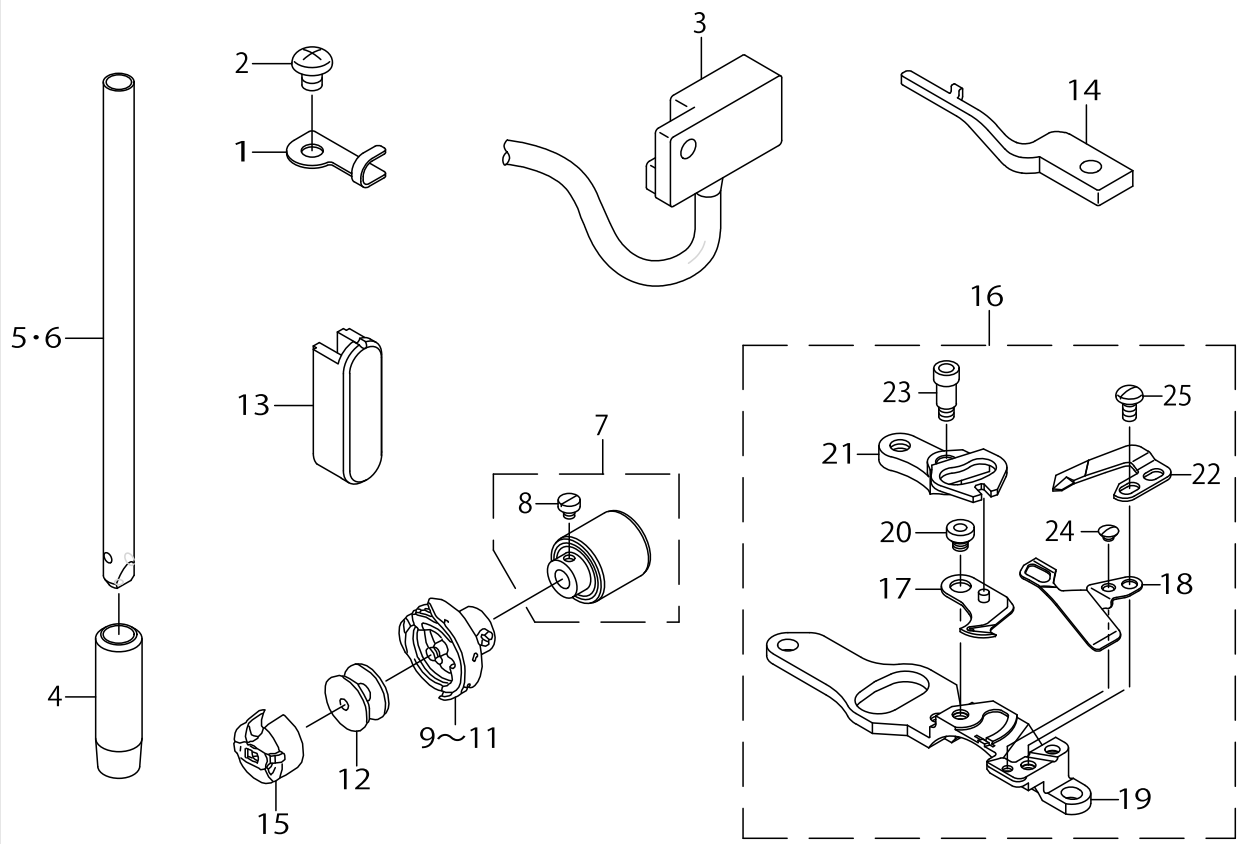
ACCESSORIE PART COMPONENTS



ACCESSORIE PART COMPONENTS

No.	Parts No.	Parts name	Remarks	Level	Cons	Qty
1	23639750	ACCESSORIE BAG ASM.	EXCEPT USE IN JAPAN			1
2	23639958	ACCESSORIE BAG ASM. ,A	FOR USE IN JAPAN			1
3	22931604	FRAME SUPPORT BAR		*		1
4	22932800	ACCESSORIE BAG		*		1
5	22933105	SCREW DRIVER,MIDDLE		*		1
6	22933204	SCREW DRIVER,SMALL		*		1
7	22958300	NEEDLE THREAD GUIDE PIN		*		1
8	23639701	KNEE LIFTER PRESSER ROD		*		1
9	22926356	HINGE COMPL.	FOR USE IN JAPAN	*		2
10	22958052	RUBBER HINGE ASM.	EXCEPT USE IN JAPAN			1
11	22926000	RUBBER CUSHION		*		2
12	22958003	FRAME BUBBER CUSHION		*		2
13	22926208	NAIL		*		8
14	22926356	HINGE COMPL.		*		2
15	22926505	WASHER		*		2
16	22932909	BOBBIN	EXCEPT USE IN JAPAN			1
17	22964001	BOBBIN A	FOR USE IN JAPAN			1
18	B91210120A0	OILER ASM.				1
19	MDFRX1600C0	DEFRIX OIL NO.1(600CC)				1
20	MDB100B1402	NEEDLE DBX1#14-2	FOR GENERAL EXPORT,JA,JH			1
21	MDB100B1102	NEEDLE DBX1#11-2	FOR USE IN JAPAN			1
22	MC200500752	134 #75-2	FOR JE			1
23	22933006	SCREW DRIVER,LARGE				1
24	22933303	VINYL COVER				1

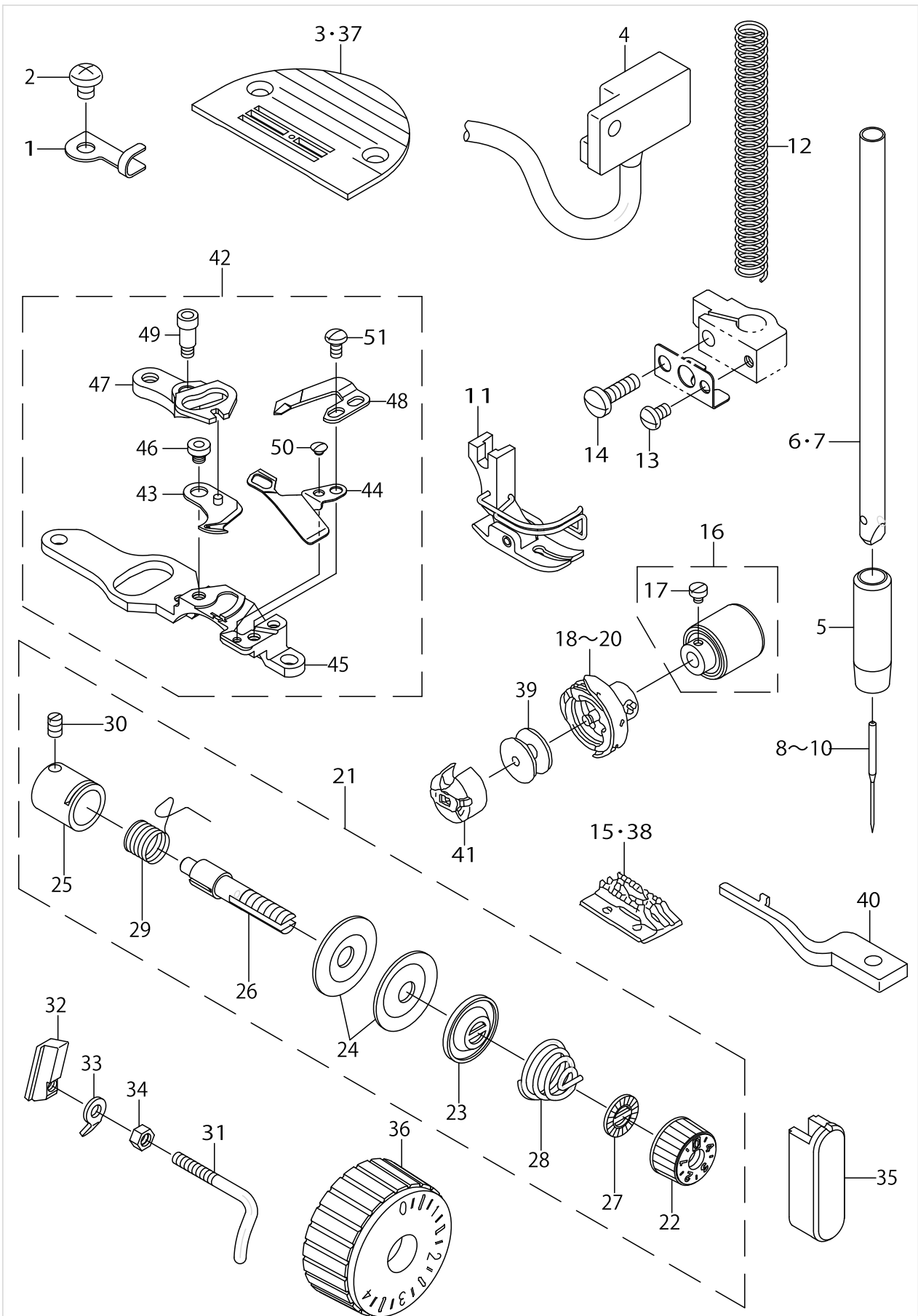
EXCLUSIVE PART FOR DDL-9000DS



EXCLUSIVE PART FOR DDL-9000DS

No.	Parts No.	Parts name	Remarks	Level	Cons	Qty
1	11030301	CABLE HOLDER				1
2	SS4120615SP	SCREW 3/16-28 L=6				1
3	M6023350AAA	RESISTOR PACK AA ASM.				1
4	23608706	NEEDLE BAR LOWER METAL D				1
5	22887004	NEEDLE BAR (B)	FOR JE			1
6	22886907	NEEDLE BAR (A)	EXCEPT JE			1
7	22889851	HOOK DRIVING SHAFT BEARING ASM				1
8	SS6110420TP	SCREW 11/64-40 L=4.8		*		2
9	22890404	RP HOOK C	FOR GENERAL EXPORT,JE,JA			1
10	22890206	RP HOOK	FOR USE IN JAPAN			1
11	22890305	RP HOOK S	FOR JH			1
12	22964001	BOBBIN A				1
13	23630700	OIL SIGHT WINDOW D				1
14	22896302	BOBBIN CASE HOLDER				1
15	22896252	BOBBIN CASE ASM.				1
16	23624653	KNIFE UNIT D				1
17	11040052	MOVING KNIFE ASM.		*		1
18	22896104	THREAD GUIDE FOR KNIFE		*		1
19	23623002	KNIFE INSTALLING BASE		*		1
20	11040409	MOVING KNIFE HINGE SCREW		*		1
21	22896005	FORKED BASE FOR KNIFE		*		1
22	22895908	COUNTER KNIFE		*		1
23	SD0460703TP	HINGE SCREW D=4.6 H=7		*		1
24	SS2060210SP	SCREW 3/32-56 L=2.3		*		1
25	SS4080620TP	SCREW 1/8-44 L=6		*		2

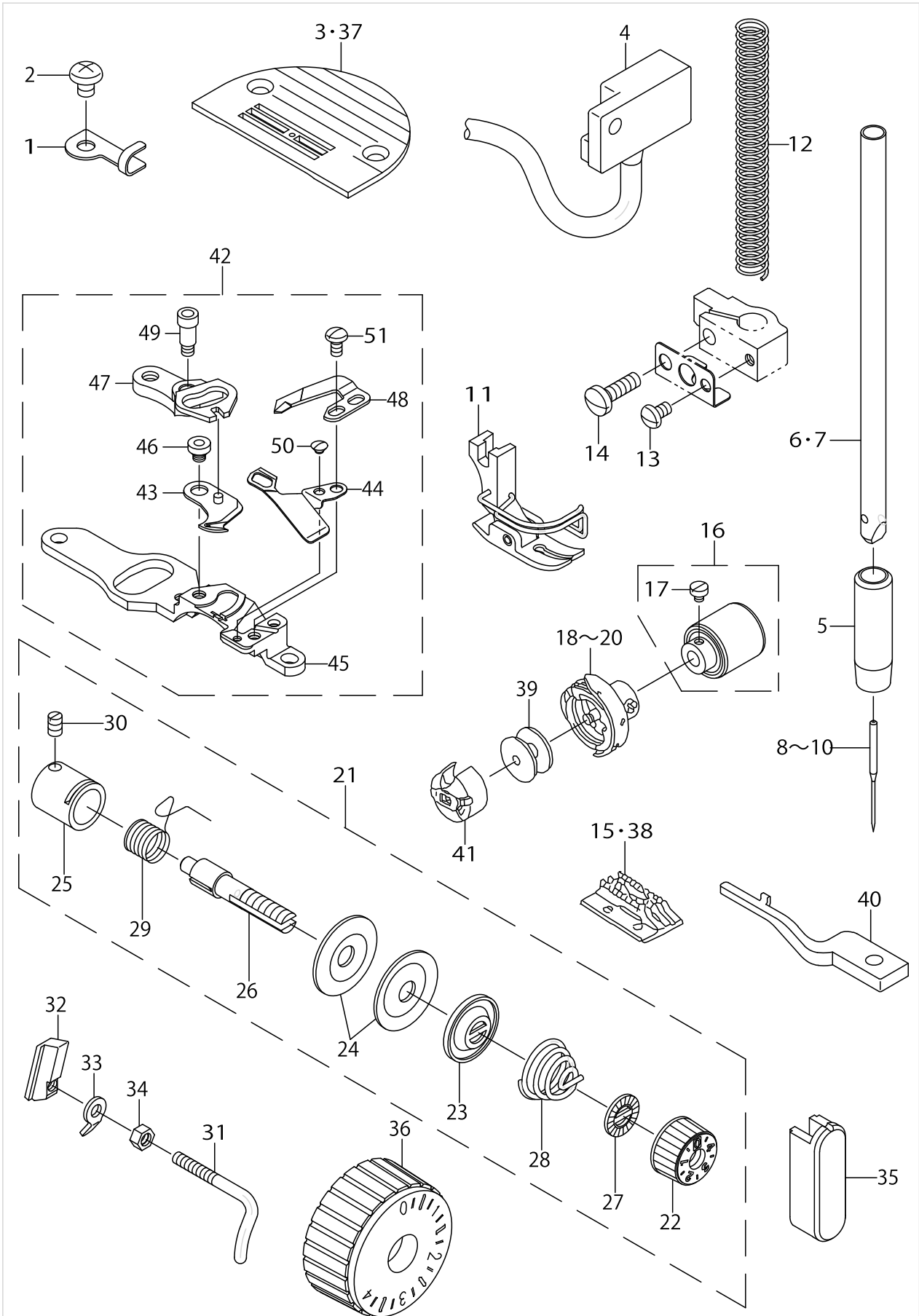
EXCLUSIVE PART FOR DDL-9000DF



## EXCLUSIVE PART FOR DDL-9000DF

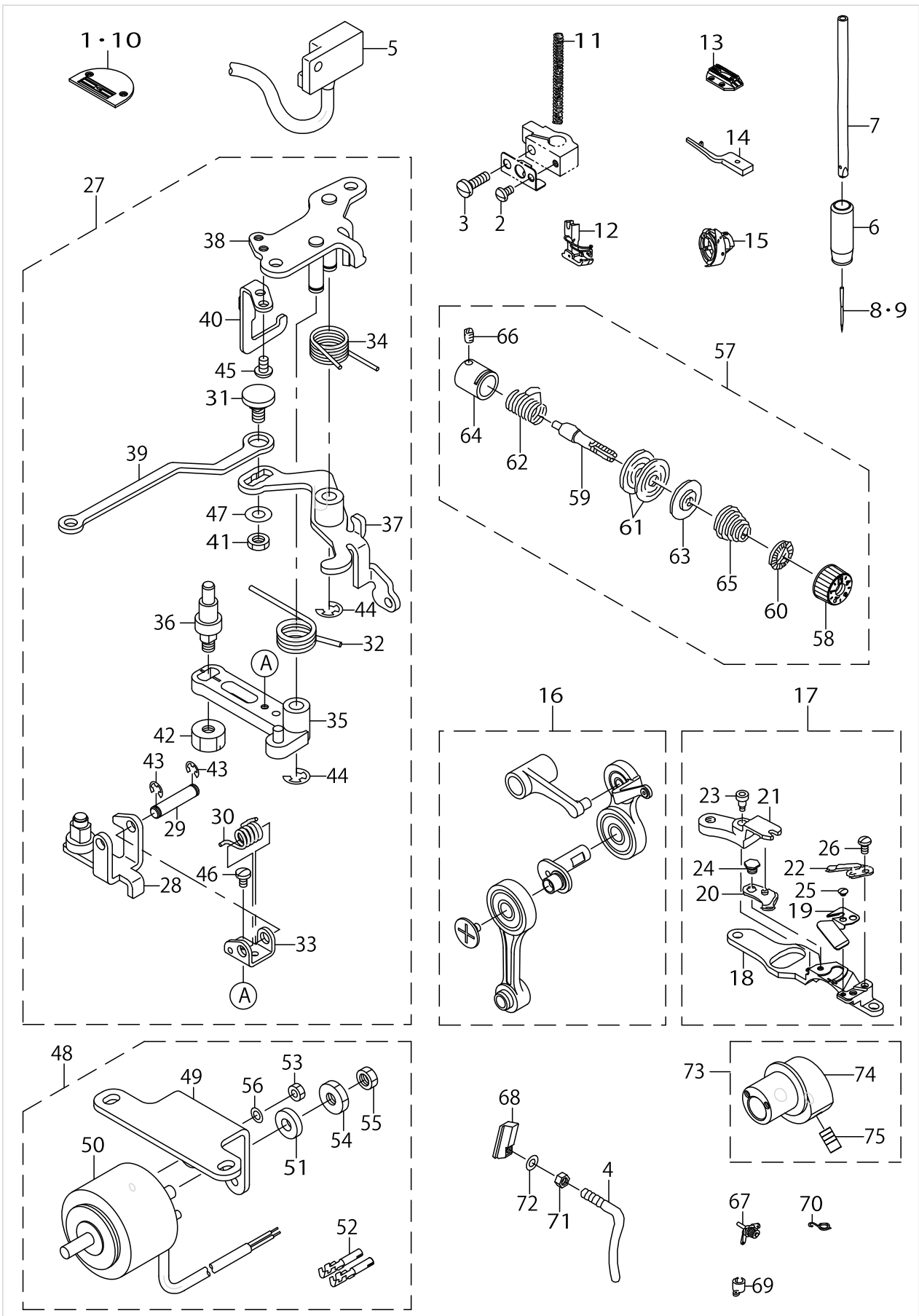
No.	Parts No.	Parts name	Remarks	Level	Cons	Qty
1	11030301	CABLE HOLDER				1
2	SS4120615SP	SCREW 3/16-28 L=6				1
3	11001906	THROAT PLATE K	FOR USE IN JAPAN			1
4	M6023350AAF	RESISTOR PACK AF ASM.				1
5	23608706	NEEDLE BAR LOWER METAL D				1
6	22886907	NEEDLE BAR (A)	EXCEPT JE			1
7	22887004	NEEDLE BAR (B)	FOR JE			1
8	MDB1SFB0900	NEEDLE DBX1SF #9	FOR USE IN JAPAN			1
9	MC200500650	NEEDLE 134 NM65	FOR JE			1
10	MDB100B0900	NEEDLE DBX1 #9	FOR GENERAL EXPORT,JA,JH			1
11	D1524555DBB	PRESSER FOOT ASM.				1
12	11162104	SPRING				1
13	SS4090610SP	SCREW 9/64-40 L=6				1
14	SS7111410TP	SCREW 11/64-40 L=14				1
15	D1613155W00	FEED DOG W	FOR USE IN JAPAN			1
16	22889851	HOOK DRIVING SHAFT BEARING ASM				1
17	SS6110420TP	SCREW 11/64-40 L=4.8		*		2
18	22890404	RP HOOK C	FOR GENERAL EXPORT,JE,JA			1
19	22890206	RP HOOK	FOR USE IN JAPAN			1
20	22890305	RP HOOK S	FOR ,JH			1
21	23627458	THREAD TENSION ASM. F				1
22	23626005	THREAD TENSION NUT		*		1
23	B3132552000	THREAD TENSION DISK PRESSER		*		1
24	B3126012000	THREAD TENSION DISK		*		2
25	B3111126000	TENSION POST SOCKET		*		1
26	B3115552000	TENSION POST		*		1
27	B3120125000	ROTATING STOPPER		*		1
28	D3129555D00	THREAD TENSION SPRING		*		1
29	D3128555D00	TAKE-UP SPRING		*		1
30	SS8090670SP	SCREW 9/64-40 L= 5.5		*		1
31	11305513	ARM THREAD GUIDE, C				1
32	11403805	THREAD GUIDE C FITTING PLATE				1
33	11404209	SPACER				1
34	11404308	NUT				1
35	23630700	OIL SIGHT WINDOW D				1
36	22940506	FEED DIAL				1
37	B1109012I0B	THROAT PLATE (I)	EXCEPT USE IN JAPAN			1
38	B1613012I00	FEED DOG I	EXCEPT USE IN JAPAN			1
39	22964001	BOBBIN A				1
40	22896302	BOBBIN CASE HOLDER				1
41	22896252	BOBBIN CASE ASM.				1
42	23624653	KNIFE UNIT D				1
43	11040052	MOVING KNIFE ASM.		*		1
44	22896104	THREAD GUIDE FOR KNIFE		*		1
45	23623002	KNIFE INSTALLING BASE		*		1
46	11040409	MOVING KNIFE HINGE SCREW		*		1
47	22896005	FORKED BASE FOR KNIFE		*		1

EXCLUSIVE PART FOR DDL-9000DF



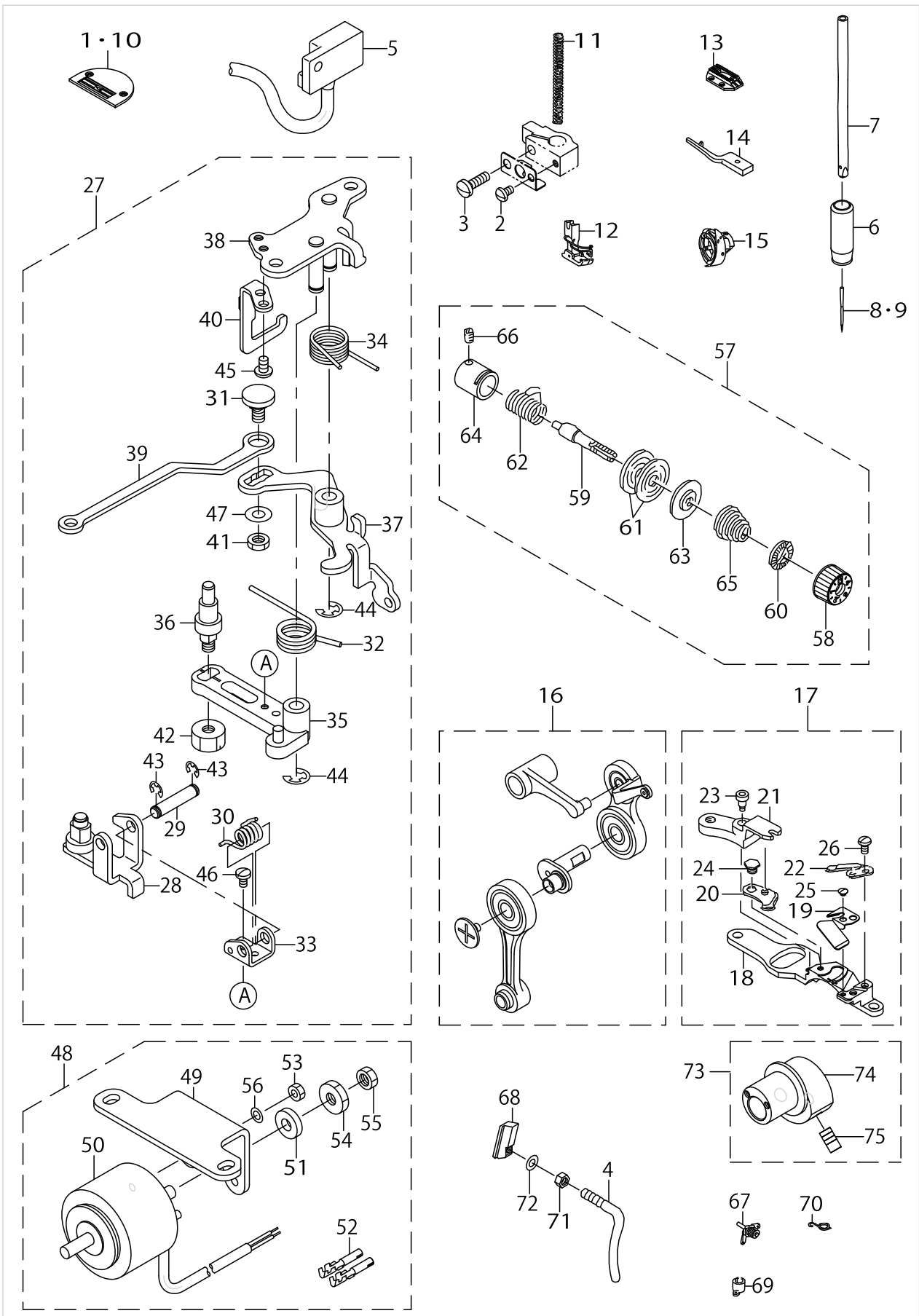
EXCLUSIVE PART FOR DDL-9000DF

No.	Parts No.	Parts name	Remarks	Level	Cons	Qty
48	22895908	COUNTER KNIFE		*		1
49	SD0460703TP	HINGE SCREW D=4.6 H=7		*		1
50	SS2060210SP	SCREW 3/32-56 L=2.3		*		1
51	SS4080620TP	SCREW 1/8-44 L=6		*		2



EXCLUSIVE PART FOR DDL-9000SH-WB,0B

No.	Parts No.	Parts name	Remarks	Level	Cons	Qty
1	11400801	THROAT PLATE J				1
2	SS4090610SP	SCREW 9/64-40 L=6				1
3	SS7111410TP	SCREW 11/64-40 L=14				1
4	11305513	ARM THREAD GUIDE, C				1
5	M6024350AAF	RESISTOR PACK AF ASM.				1
6	23645609	NEEDLE BAR METAL,LOWER H				1
7	11091303	NEEDLE BAR				1
8	MDB100B2100	NEEDLE DBX1 #21	EXCEPT JE			1
9	MC200501300	NEEDLE 134 NM130	FOR JE			1
10	23645807	THROAT PLATE H	EXCHANGING PARTS (FOR DDL-9000SH-WB)			1
11	B1505552000A	PRESSER SPRING				1
12	D1524555EBL	PRESSER FOOT ASM.				1
13	11403003	FEED J				1
14	23646003	POSITIONING FINGER H				1
15	11092251	LUBRICATING HOOK ASM.				1
16	23645559	THREAD TAKE-UP ASM. ,H				1
17	23645252	KNIFE UNIT H				1
18	23645203	KNIFE INSTALLING BASE H		*		1
19	23645401	THREAD GUIDE FOR KNIFE H		*		1
20	11409257	MOVING KNIFE J ASM.		*		1
21	11095601	KNIFE BRANCH		*		1
22	11409604	FIX KNIFE		*		1
23	SD0460703TP	HINGE SCREW D=4.6 H=7		*		1
24	SD0500131TP	HINGE SCREW D=5 H=1.25		*		1
25	SS2060210SP	SCREW 3/32-56 L=2.3		*		1
26	SS4080620TP	SCREW 1/8-44 L=6		*		2
27	23623176	THREAD TRIMMER DRIVING UNIT H				1
28	11040953	ROLLER ARM ASM.		*		1
29	11041407	ROLLER FULCRUM SHAFT		*		1
30	22949200	ROLLER RETURN SPRING		*		1
31	11042306	PICKER LINK PIN		*		1
32	11043700	KNIFE RETURN SPRING, B		*		1
33	11094307	ROLLER ARM BRACKET		*		1
34	11094406	SPRING		*		1
35	23623150	KNIFE DRIVING ARM ASM.		*		1
36	23623200	MOVING KNIFE LINK PIN		*		1
37	23623358	CLUTCH PLATE ASM.		*		1
38	23623556	BASE PLATE ASM.		*		1
39	23623705	PICKER LINK		*		1
40	23623804	DRIVING ARM STOPPER		*		1
41	NS6150310SP	NUT 15/64-28		*		1
42	NS6150810SP	NUT 15/64-28		*		1
43	RE0400000K0	E-RING 4		*		2
44	RE0600000K0	E-RING 6		*		2
45	SS4110715SP	SCREW 11/64-40 L=7		*		2
46	SS7090610SP	SCREW 9/64-40 L=6		*		1



EXCLUSIVE PART FOR DDL-9000SH-WB,0B

No.	Parts No.	Parts name	Remarks	Level	Cons	Qty
47	WP0621016SH	WASHER		*		1
48	23645153	SOLENOID ASM. ,H				1
49	23645005	SOLENOID BASE H		*		1
50	23645104	SOLENOID H		*		1
51	11043304	SOLENOID RUBBER		*		1
52	HK03464000B	PIN CONTACT		*		2
53	NM6040000SN	NUT M4		*		2
54	NS6660410SH	NUT		*		1
55	NS6660430SP	NUT 1/4-40		*		1
56	WP0430800SC	WASHER M4		*		2
57	23626062	THREAD TENSION ASM. ,H				1
58	23626005	THREAD TENSION NUT		*		1
59	22921209	THREAD TENSION POST		*		1
60	22921407	ROTATION STOPPER		*		1
61	22921506	THREAD TENSION DISK		*		2
62	22921605	THREAD TAKE-UP SPRING		*		1
63	22921803	DISK STOPPER		*		1
64	22945307	THREAD TENSION POST BASE		*		1
65	22962005	THREAD TENSION SPRING		*		1
66	SS8090670SP	SCREW 9/64-40 L= 5.5		*		1
67	11073954	THREAD TENSION ASM.				1
68	11403805	THREAD GUIDE C FITTING PLATE				1
69	B1418415H00	NEEDLE BAR THREAD GUIDE				1
70	B1419553000	NEEDLE BAR THREAD GUIDE				1
71	11404308	NUT				1
72	WP0371016SD	WASHER 3.7X8X1				1
73	23619059	VERTICAL FEED CAM H ASM.				1
74	23619000	VERTICAL FEED CAM H		*		1
75	SS8151150TP	SCREW 15/64-28 L=10.5		*		2

TABLE & STAND COMPONENTS

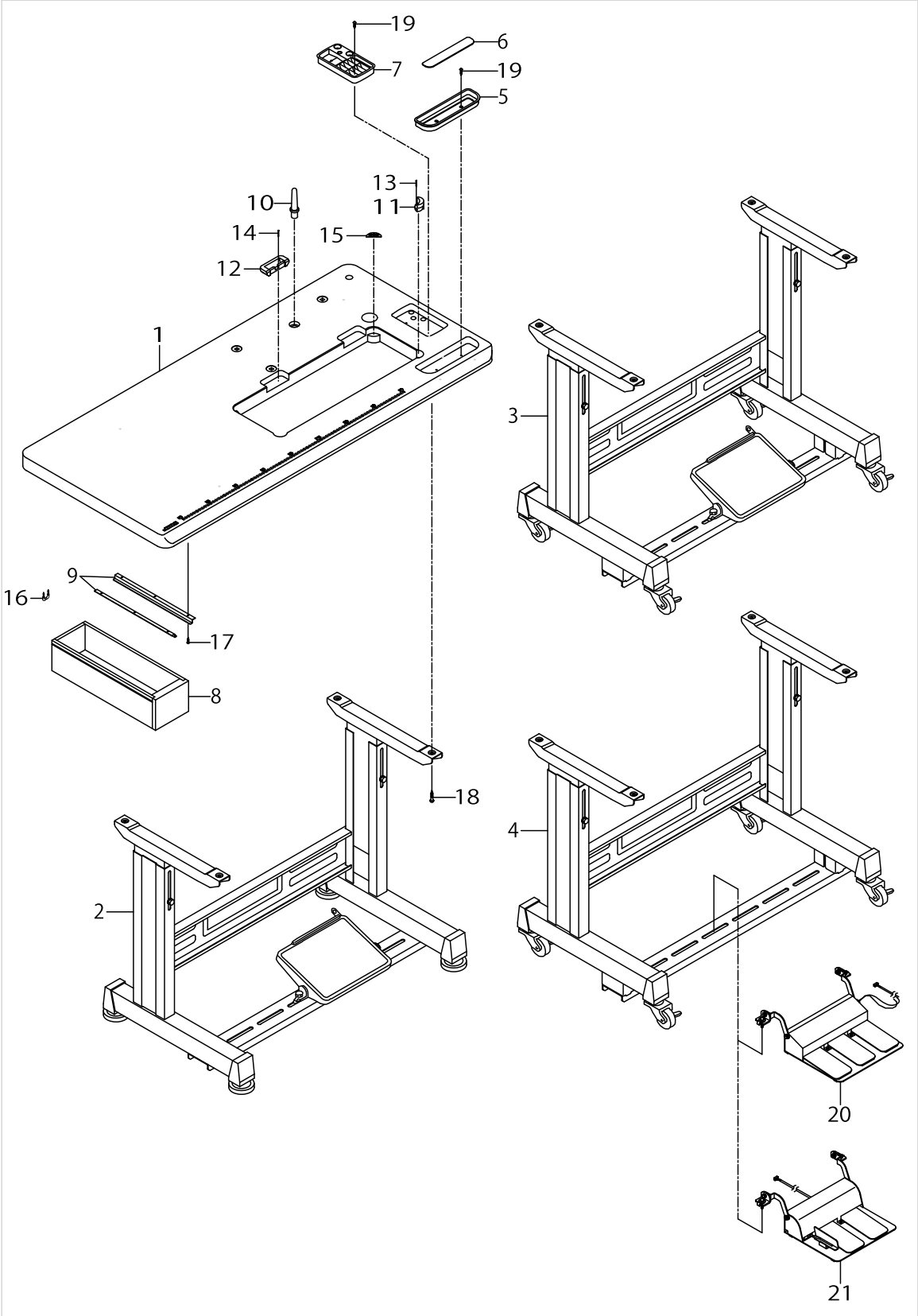


TABLE & STAND COMPONENTS

No.	Parts No.	Parts name	Remarks	Level	Cons	Qty
1	23642200	TABLE				1
2	11157567	T LEG JUNCTION	FOR JT-D950			1
3	11159365	T STAND JUNCTION	FOR JT-D952			1
4	11159357	T-STAND ASM.	FOR JT-D95J,-D95K			1
5	11156007	CASE				1
6	11155801	CASE MAGNET				1
7	11155751	CASE ASM. B				1
8	11155108	DRAWER				1
9	11155207	DRAWER SUPPORT				2
10	11073103	RUBBER CUSHION	EXCEPT AK TYPE			1
11	11075900	RUBBER SPACER				2
12	11075801	RUBBER SPACER				2
13	B8210012000	CUSHION SET NAIL				4
14	B8210012000	CUSHION SET NAIL				4
15	D8226555E00	FRAME RUBBER CUSHION A				2
16	D8204555D00	DRAWER STOPPER				1
17	SK3311600SE	WOOD SCREW D=3.1 L=16				6
18	SK3513200SC	WOOD SCREW D=5.1 L=32				4
19	SK3382001SC	WOOD SCREW D=3.8 L=20				4
20	GPK700010A0	3-JOINT PEDAL, 70	FOR JT-D95J,-D95K			1
21	GPK710010A0	2-PEDAL ASM., 71	FOR JT-D95J,-D95K			1



## HOW TO MAKE USE OF THIS PARTS LIST

### 1.Explanation of codes

1)"\*"mark.....means this part is changed from the previous parts book.

As to the details of the change, refer to the "List for information of change".

2)"#01".....refer to "Note" explanation at bottom of page.

### 2.Codes on the "Qty" column

• Each numeral indicates the number of parts required.

• "0.1" and "2.5" indicate the length (in meters) of the respective parts.

3.Parentheses mean that the corresponding part is a subpart that constructs an assembly part.

4.Dotted lines on the Figures indicate assembly parts.

### 1."注記"欄の記号説明

1) "\*"印.....前回のパーツブックに比較して今回変更された部品を意味します。

変更内容は、"変更情報リスト"を参照してください。

2) "#01".....ページ下の"注記"の説明を参照してください。

2.数量欄の数字は、個数を表し、0.1、2.5等の数値は、長さ（単位メートル）を表します。

3.数量欄の（ ）は、組部品を構成している子部品であることを意味します。

4.イラストページの-----枠は、組構成であることを意味します。

# NUMERICAL INDEX OF PARTS

PART NO	PAGE	REF NO.	PART NO	PAGE	REF NO.	PART NO	PAGE	REF NO.
10162600	36	12	11155801	50	6	22901201	2	14·15
10502300	6	25	11156007	50	5	22901250	2	12·13
11001906	42	3·37	11157567	50	2	22901300	2	16
11015906	22	79	11159357	50	4	22901409	2	20
11018405	12	41	11159365	50	3	22901805	4	80
11028008	4	85~87	11162104	42	12	22902506	2	10
11030301	40	1	11244019	14	55	22902605	2	19
11030301	42	1	11305513	42	31	22902704	2	14·15
11038650	22	68·69·89	11305513	46	4	22902753	2	12·13
11038759	22	66	11313103	24	6	22904106	20	23
11038809	22	67	11400801	46	1·10	22904155	20	22
11040052	24	3	11403003	46	13	22906309	10	49
11040052	40	17	11403805	42	32	22906408	8	30
11040052	42	43	11403805	48	68	22906457	8	29
11040409	24	4	11404209	42	33	22907406	12	24
11040409	40	20	11404308	42	34	22907604	12	21
11040409	42	46	11404308	48	71	22907802	12	22
11040508	24	5	11409257	46	20	22908008	12	8
11040953	24	18	11409604	46	22	22908552	12	23
11040953	46	28	11433802	14	57	22908701	12	19
11041407	46	29	14113450	6	31	22908909	12	20
11042306	46	31	22886907	40	5·6	22911002	20	19
11042850	26	50	22886907	42	6·7	22911101	20	20
11043304	24	41	22887004	40	5·6	22911804	16	32
11043304	48	51	22887004	42	6·7	22912000	16	29
11043700	24	22	22889851	40	7	22912109	16	33
11043700	46	32	22889851	42	16	22916506	22	78
11047107	36	13	22890008	22	70	22916555	22	77
11071909	16	30	22890206	40	9~11	22920102	12	39
11072402	6	30	22890206	42	18~20	22920300	12	40
11073103	50	10	22890305	40	9~11	22920607	4	60
11073954	48	67	22890305	42	18~20	22921209	48	59
11075801	50	12	22890404	40	9~11	22921407	48	60
11075900	50	11	22890404	42	18~20	22921506	48	61
11091303	46	7	22891204	8	40	22921605	48	62
11092251	46	15	22895908	40	22	22921803	48	63
11094307	46	33	22895908	44	48	22925101	28	24
11094406	46	34	22896005	40	21	22926000	38	11
11095601	46	21	22896005	42	47	22926208	38	13
11110301	32	6	22896104	40	18	22926356	38	14
11141207	8	27·28	22896104	42	44	22926505	38	15
11141355	22	68·69·89	22896252	40	15	22930309	34	14
11155108	50	8	22896252	42	41	22930358	34	1
11155207	50	9	22896302	40	14	22930408	34	10
11155751	50	7	22896302	42	40	22930507	34	9

# NUMERICAL INDEX OF PARTS

PART NO	PAGE	REF NO.	PART NO	PAGE	REF NO.	PART NO	PAGE	REF NO.
22930705	34	7	22956106	32	9	23609357	12	4
22930804	34	5	22956205	32	10	23609456	12	6
22930903	34	4	22956304	32	11	23609605	12	7
22931000	34	3	22956809	32	12	23609704	12	12
22931109	34	2	22956908	32	13	23609803	12	13
22931208	34	15	22957005	32	14	23609902	12	14
22931307	34	11	22957104	32	16	23610108	12	15
22931406	34	8	22957203	32	15	23610207	12	16
22931604	38	3	22958003	38	12	23610306	12	17
22932404	36	15	22958052	38	10	23610405	12	18
22932453	36	14	22958300	38	7	23610504	14	53
22932800	38	4	22962005	48	65	23610652	14	54
22932909	38	16	22962906	30	30	23610702	14	56
22933006	38	23	22964001	22	72	23610801	14	48
22933105	38	5	22964001	38	17	23611056	14	51
22933204	38	6	22964001	40	12	23611106	14	52
22933303	38	24	22964001	42	39	23612104	18	48
22934202	36	30	23600208	2	1	23612450	16	5
22934251	36	24	23600307	2	2	23612500	18	50
22934301	36	25	23600406	2	3	23612609	16	7
22934400	36	26	23600505	2	4	23612716	16	9
22934509	36	27	23600604	2	5	23612765	16	8
22934608	36	28	23600703	2	6	23612807	16	11
22939508	8	27·28	23600802	2	7	23613003	16	14
22940506	42	36	23601057	2	24	23613052	16	13
22944508	12	42	23601305	2	9	23613102	16	16
22945307	48	64	23604010	8	1	23613201	16	17
22945414	4	62	23604119	8	3	23613300	16	18
22945463	4	61	23604168	8	2	23613409	16	19
22945505	4	64	23604457	8	10	23613508	16	20
22945604	4	63	23604655	8	14	23613607	16	21
22945703	4	65	23604705	28	47	23613706	16	22
22945802	4	66	23604754	8	18	23613805	16	23
22949002	24	19	23604804	8	13	23613953	16	24
22949101	24	20	23605009	8	17	23614001	16	26
22949200	24	21	23605256	8	19	23614308	16	27
22949200	46	30	23607302	8	23	23614407	16	46
22949408	24	23	23608003	8	25	23614506	20	25~27
22950000	24	24	23608102	8	26	23616006	20	2
22950950	26	52	23608706	40	4	23616055	20	1
22952501	16	31	23608706	42	5	23616105	20	4
22954705	2	8	23609001	12	1	23616204	20	5
22955504	32	5	23609100	12	2	23616303	20	6
22955900	32	7	23609209	12	3	23616402	20	7
22956007	32	8	23609308	12	5	23616501	20	9

# NUMERICAL INDEX OF PARTS

PART NO	PAGE	REF NO.	PART NO	PAGE	REF NO.	PART NO	PAGE	REF NO.
23616550	20	8	23623705	24	16	23630007	16	47
23616600	20	11	23623705	46	39	23630007	28	42
23616709	20	12	23623804	24	17	23630106	28	43
23616808	20	14	23623804	46	40	23630205	28	30
23616857	20	13	23623903	24	32	23630304	28	23
23616907	20	17	23624000	24	33	23630403	28	39
23617053	20	18	23624109	24	35	23630452	28	38
23618002	20	38	23624158	24	34	23630502	28	40
23618051	20	37	23624257	24	36	23630601	28	41
23618101	20	40	23624307	24	39	23630700	40	13
23618309	20	42	23624356	24	38	23630700	42	35
23618408	20	43	23624406	24	40	23631005	30	2
23618705	22	53	23624505	26	48	23631054	30	1
23618804	20	47	23624554	24	47	23631104	30	3
23619000	48	74	23624653	40	16	23631203	30	4
23619059	48	73	23624653	42	42	23631302	30	10
23619109	22	87	23626005	4	50	23631708	30	22
23619158	22	86	23626005	42	22	23631757	30	11
23620008	22	56	23626005	48	58	23631807	30	23
23620156	22	57	23626062	48	57	23631906	30	24
23620206	22	58	23626104	4	59	23632003	30	15
23620354	22	59	23626203	10	48	23632102	30	26
23620404	22	73	23626351	12	36	23632250	30	27
23620503	22	61	23626807	12	37	23632359	30	17
23620701	22	62~65	23626906	12	38	23632607	30	25
23620800	22	62~65	23627359	4	49	23632656	30	20
23620909	22	62~65	23627458	42	21	23633159	32	2
23621006	22	62~65	23628100	28	2	23633167	32	1
23621303	22	68·69·89	23628209	28	33	23633209	32	3
23622061	8	37	23628357	28	3	23633357	32	4
23622400	8	38	23628555	28	4	23636657	6	29
23623002	24	2	23628704	28	5	23638000	4	72
23623002	40	19	23628803	28	35	23638059	4	71
23623002	42	45	23628902	28	36	23638109	4	73
23623051	24	1	23629009	28	37	23638208	4	74
23623150	24	12	23629108	28	6	23638307	4	75
23623150	46	35	23629207	28	8	23638406	4	76
23623168	24	11	23629256	28	7	23638554	4	77
23623176	46	27	23629306	28	10	23639008	36	2
23623200	24	13	23629405	28	44	23639057	36	1
23623200	46	36	23629504	28	12	23639107	36	4
23623358	24	14	23629603	28	13	23639156	36	3
23623358	46	37	23629702	28	9	23639206	36	7
23623556	24	15	23629801	28	14	23639305	36	8
23623556	46	38	23629900	4	82	23639404	36	9

# NUMERICAL INDEX OF PARTS

PART NO	PAGE	REF NO.	PART NO	PAGE	REF NO.	PART NO	PAGE	REF NO.
23639503	36	10	40029963	20	21	B91210120A0	38	18
23639602	36	11	40031605	22	81	CM300200001	2	23
23639701	38	8	40031606	22	83	CM300200003	2	18
23639750	38	1·2	40031607	22	82	CM301300001	2	22
23639958	38	1·2	40031608	22	80	CM600100101	4	48
23642200	50	1	40033391	16	1	CQ200000001	28	20
23645005	48	49	40033392	16	2	CS111101ESH	16	34
23645104	48	50	40033393	16	3	D1524555DBB	42	11
23645153	48	48	40039946	8	22	D1524555EBL	46	12
23645203	46	18	40044875	20	45	D1613155W00	42	15·38
23645252	46	17	40044906	8	11	D2406555D0H	24	7
23645401	46	19	40051473	8	8	D2468555B00	30	5
23645559	46	16	40052274	16	12	D3128555D00	42	29
23645609	46	6	B1109012I0B	4	85~87	D3129555D00	42	28
23645807	46	1·10	B1109012I0B	42	3·37	D7133555B00	6	33
23646003	46	14	B1109552000	4	85~87	D8204555D00	50	16
26260109	6	2	B1414555000	8	32	D8226555E00	50	15
26260208	6	3	B1418415H00	48	69	EA9500B0100	4	78
26260307	6	4	B1419553000	48	70	EA9500B0100	8	45
26260406	6	5	B1505552000A	46	11	EA9500B0100	30	28
26260505	6	6	B1521555000	12	25	GPK700010A0	50	20
26260604	6	7	B15240120BA	12	26·27	GPK710010A0	50	21
26260802	6	8	B15245520BA	12	26·27	HA000590000	32	17
26261008	6	9	B1613012I00	20	25~27	HK03464000B	24	42
26261206	6	10	B1613012I00	42	15·38	HK03464000B	30	6
26261305	6	11	B3111126000	4	57	HK03464000B	32	18
26261503	6	12	B3111126000	42	25	HK03464000B	48	52
26261602	6	13	B3115552000	4	51	HW200390000	32	19
26261701	6	14	B3115552000	42	26	HW500070000	32	20
40010434	8	39	B3118552F00	4	84	M6022350AAA	2	44~46
40011144	6	15	B3120125000	4	52	M6022350AAF	2	44~46
40011344	28	1	B3120125000	42	27	M6022350AAL	2	44~46
40011711	20	44	B3126012000	4	53	M6023350AAA	40	3
40012032	18	49	B3126012000	6	32	M6023350AAF	42	4
40014837	6	16	B3126012000	42	24	M6024350AAF	46	5
40020455	10	50	B3128012000	4	54	M68014710A0	8	44
40022407	2	11	B3129012A00	4	55	MC200500650	42	8~10
40022668	20	41	B3132552000	4	56	MC200500750	8	33~35
40023021	6	1	B3132552000	42	23	MC200500752	38	20~22
40023022	6	17	B3538112000	2	21	MC200501300	46	8·9
40023289	16	28	B412352200A	20	28~30	MDB100B0900	42	8~10
40023290	26	54	B412352200B	20	28~30	MDB100B1100	8	33~35
40023291	6	26	B412352200C	20	28~30	MDB100B1102	38	20~22
40024644	28	45	B8210012000	50	14	MDB100B1400	8	33~35
40028014	8	43	B9117012000	22	71	MDB100B1402	38	20~22

# NUMERICAL INDEX OF PARTS

PART NO	PAGE	REF NO.	PART NO	PAGE	REF NO.	PART NO	PAGE	REF NO.
MDB100B2100	46	8-9	RO195240100	28	26	SS2060210SP	44	50
MDB1SFB0900	42	8~10	SB117000400	22	51	SS2060210SP	46	25
MDFRX1600C0	38	19	SB120000800	8	21	SS2110915SP	2	27
NM6040000SN	24	43	SB120001000	22	52	SS2110920TP	2	28
NM6040000SN	48	53	SB307000200	8	41	SS4080620TP	20	32
NM6050001SE	34	17	SB32000060A	22	48~50	SS4080620TP	24	10
NM6060001SE	36	5	SB32000060B	22	48~50	SS4080620TP	40	25
NM6160511SE	34	18	SB32000060C	22	48~50	SS4080620TP	44	51
NS6090310SP	32	21	SD0460703TP	24	8	SS4080620TP	46	26
NS6110310SP	16	36	SD0460703TP	40	23	SS4090610SP	42	13
NS6110310SP	32	22	SD0460703TP	44	49	SS4090610SP	46	2
NS6110350SP	30	31	SD0460703TP	46	23	SS4110615SP	4	81
NS6110530SP	6	34	SD0500131TP	46	24	SS4110715SP	2	67
NS6150310SP	12	47	SD0600321SP	26	55	SS4110715SP	4	67
NS6150310SP	16	37	SD0630275SP	26	56	SS4110715SP	12	46
NS6150310SP	24	25	SD0641452TP	26	57	SS4110715SP	24	58
NS6150310SP	36	17	SD0650321TP	32	25	SS4110715SP	26	58
NS6150310SP	46	41	SD0720331SP	12	30	SS4110715SP	46	45
NS6150810SP	24	26	SD0720331SP	36	20	SS4120615SP	2	30
NS6150810SP	46	42	SD0951501SP	30	32	SS4120615SP	12	43
NS6620310SP	12	44	SK3311600SE	50	17	SS4120615SP	40	2
NS6660410SH	24	44	SK3382001SC	50	19	SS4120615SP	42	2
NS6660410SH	48	54	SK3513200SC	50	18	SS4120915SP	2	33
NS6660430SP	24	45	SL4030631SC	32	26	SS4120915SP	30	33
NS6660430SP	48	55	SL4030641SE	32	27	SS4120915SP	32	29
RC0150001KP	20	31	SL4040881SC	8	46	SS4121015SP	12	31
RC0560711KP	6	18	SL6052592TN	2	26	SS4121015SP	28	28
RE0250000K0	32	23	SL6052592TN	8	47	SS4121215SP	4	88
RE0400000K0	6	19	SM4021201SC	4	79	SS4150915SP	2	35
RE0400000K0	24	27	SM4051405SE	34	12	SS4150915SP	6	27
RE0400000K0	46	43	SM5040655SN	6	20	SS4150915SP	26	60
RE0500000K0	12	45	SM6040602TP	12	9	SS4150915SP	30	34
RE0500000K0	16	39	SM6061610SC	34	6	SS6060210SP	2	17
RE0500000K0	32	24	SM8040412TP	16	4	SS6090540SP	32	28
RE0600000K0	24	28	SM8040802TP	6	21	SS6090620TP	6	28
RE0600000K0	46	44	SM8050502TP	6	22	SS6090620TP	20	34
RE1000000K0	36	19	SM8060812TP	8	24	SS6090620TP	24	37
RE1200000K0	30	7	SM8060812TP	16	41	SS6090620TP	28	29
RO029180100	28	34	SM80608A2TP	8	20	SS6090670TP	8	31
RO037180100	12	29	SM8063012TR	36	6	SS6090670TP	16	42
RO044240100	14	50	SM9061203SE	36	29	SS6090670TP	20	54
RO068190100	28	16	SM9061853SR	36	22	SS6090670TP	22	54
RO080150200	4	83	SM9062053SR	36	16	SS6090910SP	12	32
RO092270200	16	40	SS2060210SP	24	9	SS6110420TP	40	8
RO098240100	28	25	SS2060210SP	40	24	SS6110420TP	42	17

NUMERICAL INDEX OF PARTS

PART NO	PAGE	REF NO.	PART NO	PAGE	REF NO.
SS6110610TP	4	69	ST4040821SS	28	46
SS6110650TP	22	60	TA0850604R0	2	38
SS6110710TP	22	55	TA1250406R0	2	40
SS6110710TP	26	49	TA1250705R0	2	41
SS6111010TP	22	74	TA1270502R0	2	42
SS6111440SP	8	7	TA1470704R0	2	43
SS6121030SN	6	24	WP0371016SD	48	72
SS6121610SP	16	25	WP0430800SC	48	56
SS6121610SP	20	10	WP0450000SD	24	46
SS6121840SP	16	43	WP0450826SC	6	23
SS6121860SP	16	44	WP0480856SP	14	58
SS6151920TP	8	42	WP0480856SP	20	16
SS6151920TP	16	45	WP0501016SD	4	47
SS6660610TP	26	51	WP0501016SD	12	34
SS6661110SP	16	6	WP0501016SD	28	31
SS7080510TP	8	36	WP0501016SD	30	29
SS7090610SP	24	30	WP0621016SD	14	49
SS7090610SP	46	46	WP0621016SH	24	31
SS7091110TP	12	33	WP0621016SH	48	47
SS7110540SP	2	36	WP0650876SD	36	23
SS7110740TP	20	36	WP1612616SE	34	19
SS7110740TP	30	21	WP1703001SC	30	9
SS7111410TP	42	14	WS0510002KN	34	16
SS7111410TP	46	3	WS0510002KP	28	32
SS7111810TP	12	35	WS1643202KR	34	20
SS7112420SP	22	85			
SS7121410TP	20	15			
SS7681650TP	8	4			
SS8090670SP	4	58			
SS8090670SP	42	30			
SS8090670SP	48	66			
SS8110520TP	26	53			
SS8150710TP	4	70			
SS8150822TP	22	84			
SS8151150TP	20	88			
SS8151150TP	22	88			
SS8151150TP	48	75			
SS8660330SP	16	35			
SS8660610TP	8	6			
SS8660610TP	16	10			
SS8660610TP	20	24			
SS8660810TP	20	76			
SS8660810TP	22	76			
SS8661030SP	22	75			
SS8681650TP	8	5			