

MODEL : DDL-9000A

List No : 1457-02

# PARTS LIST

Published:05/07/2018

## CONTENTS

---

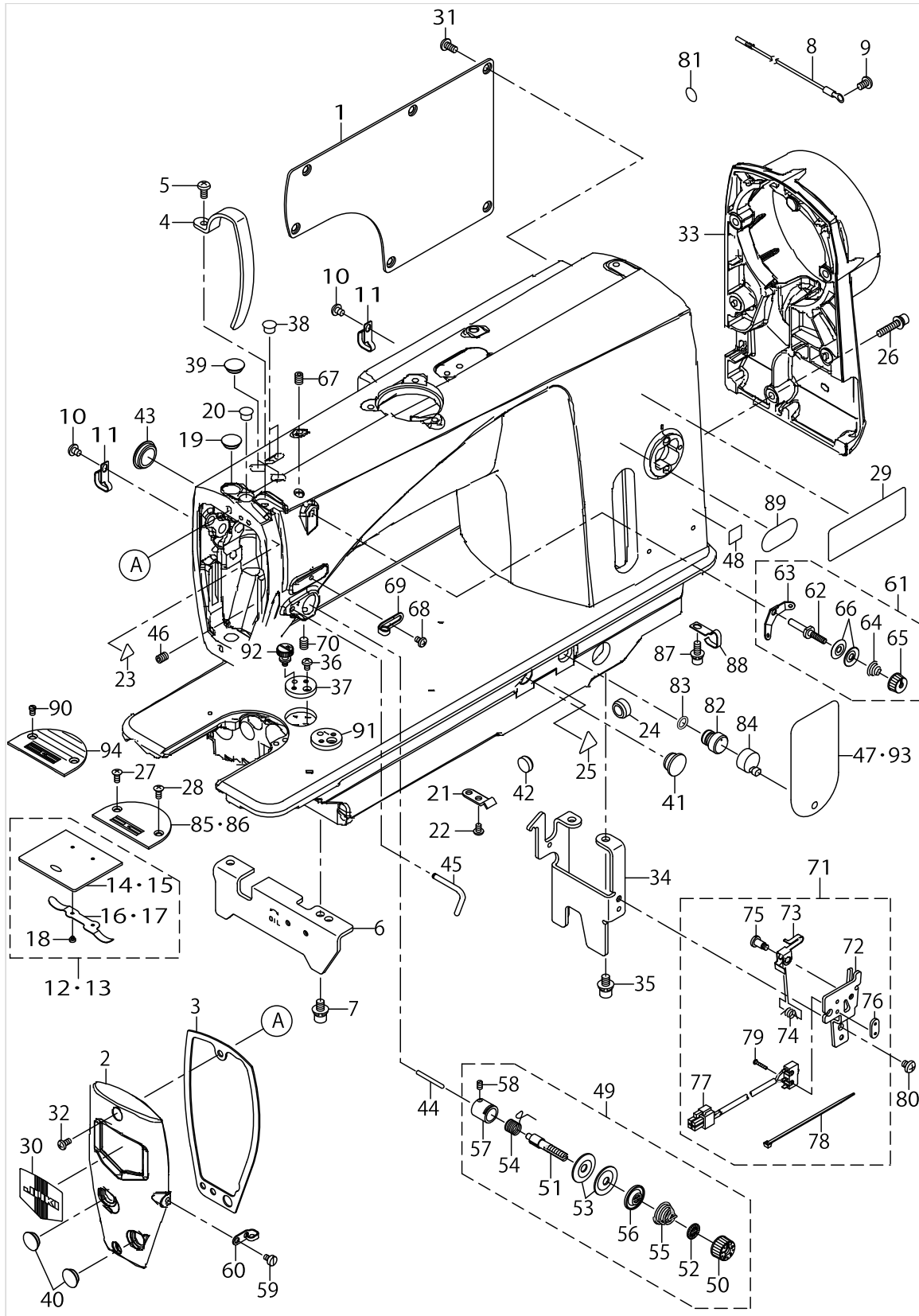
MACHINE FRAME & MISCELLANEOUS COVER COMPONENTS .....	1
BOBBIN WINDER COMPONENTS.....	5
MAIN SHAFT & NEEDLE BAR COMPONENTS.....	7
HAND LIFTER & TENSION RELEASE COMPONENTS.....	11
FEED ADJUST MECHANISM COMPONENTS .....	15
HORIZONTAL FEED, VERTICAL FEED & HOOK DRIVING SHAFT COMPONENTS.....	19
THREAD TRIMMER COMPONENTS .....	23
OIL LUBRICATION COMPONENTS.....	27
AUTOMATIC REVERSE FEED COMPONENTS.....	31
WIPER COMPONENTS (FOR DDL-9000A-**-WB) .....	33
THREAD STAND COMPONENTS.....	35
UNDER COVER COMPONENTS.....	37
ACCESSORIE PART COMPONENTS.....	39
EXCLUSIVE PART FOR DDL-9000A-D*,DDL-9000A-M*.....	41
EXCLUSIVE PART FOR DDL-9000A-*A.....	43
EXCLUSIVE PART FOR DDL-9000A-SH-WB,0B .....	45
TABLE & STAND COMPONENTS.....	49
SPECIAL ORDER PART .....	51
LIST FOR INFORMATION OF CHANGE (1).....	53
LIST FOR INFORMATION OF CHANGE (2).....	54
HOW TO MAKE USE OF THIS PARTS LIST .....	55



MACHINE FRAME & MISCELLANEOUS COVER COMPONENTS

No.	Parts No.	Parts name	Remarks	Level	Cons	Qty
1	40037158	SIDE PLATE				1
2	40041161	FACE PLATE				1
3	40052819	FACE PLATE PACKING				1
4	23600505	THREAD TAKE-UP LEVER COVER				1
5	SM4051055SP	SCREW				1
6	23600703	BED STUD A				1
7	SL6061292TN	SCREW				2
8	40061562	EARTH CORD ASM.				1
9	SM4050855SP	SCREW				1
10	SM4051055SP	SCREW				2
11	40022407	CORD HOLDER				2
12	22901250	SLIDE PLATE ASM.	FOR JE,KO			1
13	22902753	SLIDE PLATE ASM.	FOR ST,SH			1
14	22901201	SLIDE PLATE		*		1
15	22902704	SLIDE PLATE		*		1
16	22901300	SLIDE PLATE SPRING		*		1
17	22901300	SLIDE PLATE SPRING		*		1
18	SS6060210SP	SCREW 3/32-56 L= 1.9		*		2
19	TA1250406R0	RUBBER PLUG D=12.5 L=4				1
20	TA0850604R0	RUBBER PLUG				1
21	22944508	WIRE PRESSER A				1
22	SM4040655SP	SCREW M4 L=6				1
23	CM300200001	ATTENTION SEAL				1
24	TA1470702R0	RUBBER PLUG				1
25	CM300200003	ATTENTION LABEL				1
26	SL6052592TN	BOLT				3
27	SM2040955TP	SCREW M4 L=8.5			☆	1
28	SM2040955TP	SCREW M4 L=8.5			☆	1
29	CM301300001	SAFETY LABEL				1
30	22902506	FACE PLATE				1
31	SM4051055SP	SCREW				6
32	SM4050855SP	SCREW				2
33	40041473	PULLEY_COVER				1
34	40027581	BED STUD B				1
35	SL6061292TN	SCREW				2
36	SM4040655SP	SCREW M4 L=6				1
37	40035589	RULER PLATE				1
38	TA0850604R0	RUBBER PLUG				2
39	TA1250406R0	RUBBER PLUG D=12.5 L=4				2
40	TA1250406R0	RUBBER PLUG D=12.5 L=4				2
41	TA1470704R0	RUBBER PLUG				1
42	TA1270502R0	RUBBER PLUG				2
43	TA1250406R0	RUBBER PLUG D=12.5 L=4				1
44	B3118552F00	TENSION RELEASING PIN				1
45	40052933	ARM THREAD GUIDE C				1
46	SM80608A2TP	L=8SCREW M6 L=8				1
47	23640006	SHEET				1

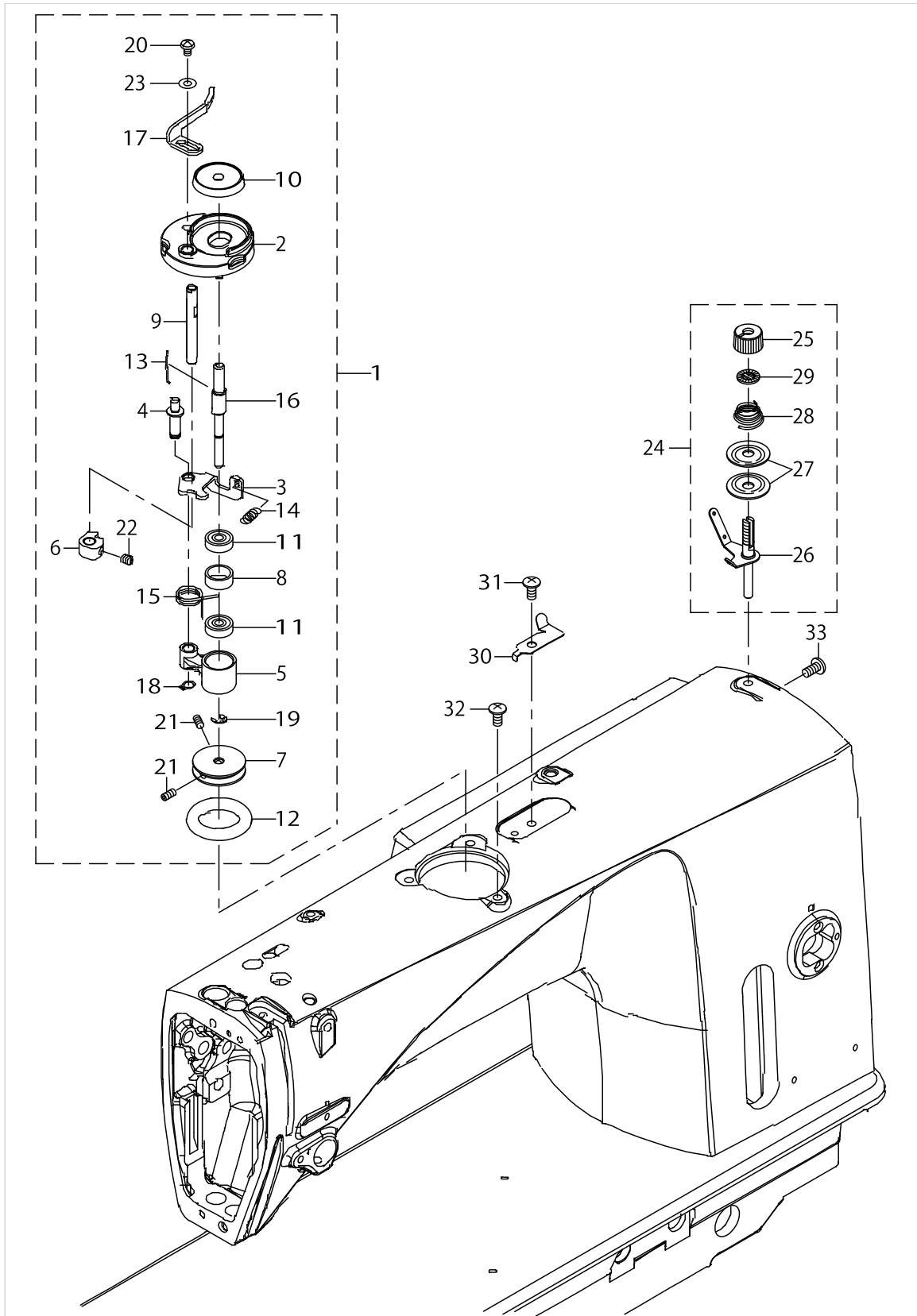
MACHINE FRAME & MISCELLANEOUS COVER COMPONENTS



MACHINE FRAME & MISCELLANEOUS COVER COMPONENTS

No.	Parts No.	Parts name	Remarks	Level	Cons	Qty
48	CM600100101	WEEE MARK LABEL S	FOR JE			1
49	40024843	THREAD TENSION DISK ASM.				1
50	23626005	THREAD TENSION NUT		*		1
51	B3115552000	TENSION POST		*		1
52	B3120125000	ROTATING STOPPER		*		1
53	B3126012000	THREAD TENSION DISK		*		2
54	B3128012000	TAKE-UP SPRING		*	☆	1
55	B3129012A00	TENSION SPRING		*		1
56	B3132552000	THREAD TENSION DISK PRESSER		*		1
57	40024845	TENSION POST SOCKET ASM.		*		1
58	SS8090670SP	SCREW 9/64-40 L= 5.5		*		1
59	SS6110610TP	SCREW 11/64-40 L=6				1
60	22920607	ARM THREAD GUIDE B				1
61	22945463	THREAD TENSION ASM. ,NO.1				1
62	22945414	THREAD TENSION POST		*		1
63	22945604	THREAD TENSION GUIDE		*		1
64	22945505	THREAD TENSION SPRING		*		1
65	22945703	THREAD TENSION NUT		*		1
66	22945802	THREAD TENSION DISK		*		2
67	SM80608A2TP	L=8SCREW M6 L=8				1
68	SM5040655SN	SCREW				1
69	23626104	ARM THREAD GUIDE A				1
70	SM80608A2TP	L=8SCREW M6 L=8				1
71	40037002	SAFETY_SWITCH_ASM.				1
72	40037018	SAFETY SWITCH BASE		*		1
73	23638109	SAFETY SWITCH ARM		*		1
74	23638208	SAFETY SWITCH SPRING		*		1
75	23638307	SAFETY SWITCH ARM SHAFT		*		1
76	23638406	SAFETY SWITCH NUT		*		1
77	23638554	SAFETY SWITCH CORD ASM.		*		1
78	EA9500B0100	CABLE BAND		*		1
79	SM4021201SC	SCREW M2 L=12		*		2
80	SM4050655SP	SCREW M5 L=6				1
81	22901805	GROUND MARK				1
82	23629900	AIR-DISCHARGING				1
83	RO080150200	RUBBER RING				1
84	23601305	AIR-DISCHARGING CAP				1
85	B1109012I0B	THROAT PLATE (I)	FOR ST,JE			1
86	11028008	THROAT PLATE	FOR KO			1
87	SL6051492TN	BOLT				1
88	40022407	CORD HOLDER				1
89	CM600600101	CHINA ENVIRONMENT LABEL	FOR SH			1
90	40065552	THROAT PLATE SCREW	OPTIONAL PARTS			1
91	40069097	RULER PLATE I	OPTIONAL PARTS			1
92	40069110	ATTACHMENT FIXATION SCREW	OPTIONAL PARTS			1
93	40037488	SHEET	FOR SH			1
94	B1109552000	THROAT PLATE	FOR SH			1

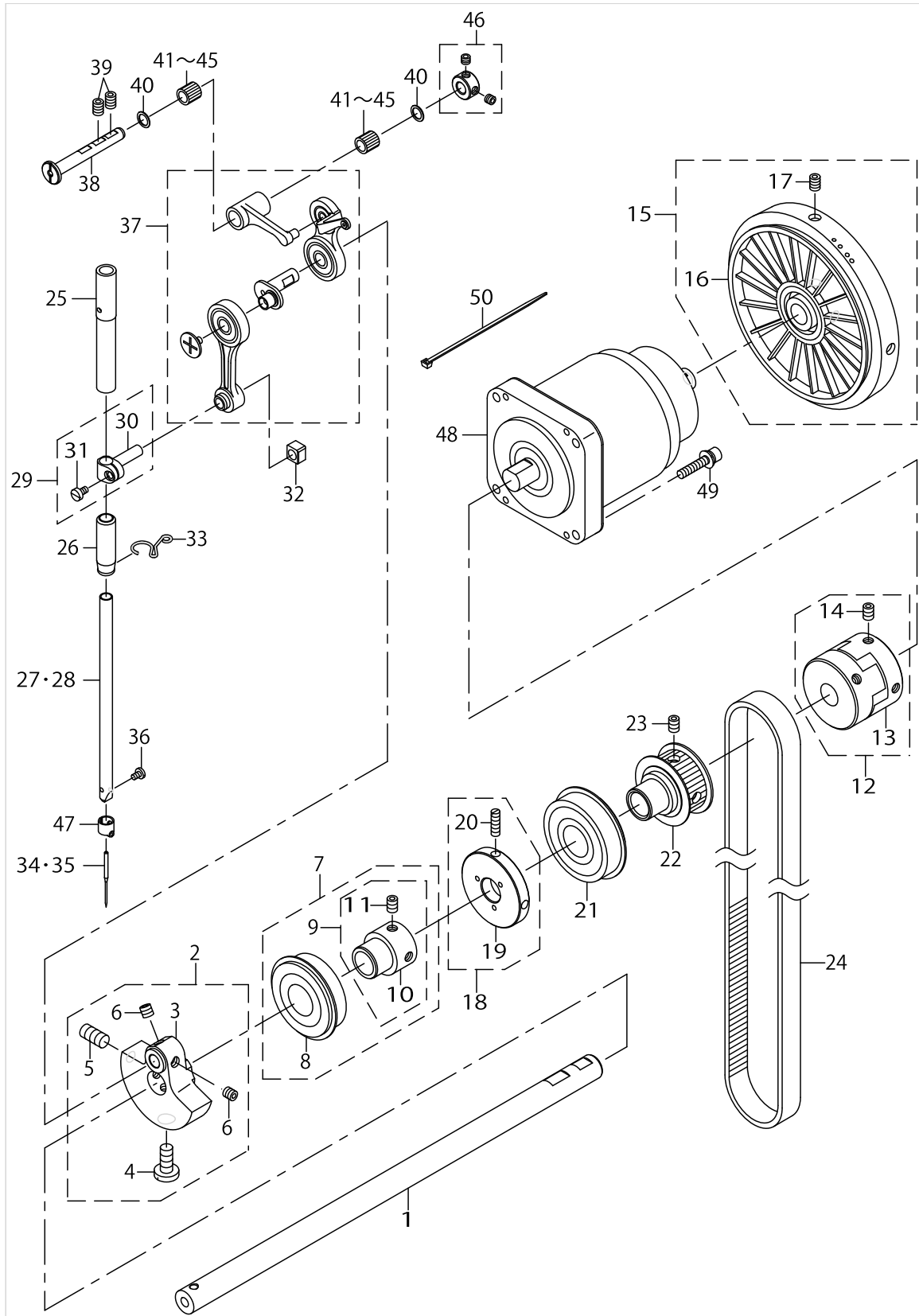
# BOBBIN WINDER COMPONENTS



BOBBIN WINDER COMPONENTS

No.	Parts No.	Parts name	Remarks	Level	Cons	Qty
1	40023021	BOBBIN WINDER UNIT				1
2	26260109	BTW_BASE		*		1
3	26260208	BTW_CAM_PLATE		*		1
4	26260307	BTW_BASE_SHAFT		*		1
5	26260406	BTW_SHAFT_BASE		*		1
6	26260505	BTW_CAM_LEVER		*		1
7	26260604	BTW_WHEEL		*		1
8	26260802	BTW_BEARING_SPACER		*		1
9	26261008	BTW_LEVER_SHAFT		*		1
10	26261206	BTW_SPACER		*		1
11	26261305	BTW_BEARING		*		2
12	26261503	BTW_WHEEL_RUBBER		*	☆	1
13	26261602	BOBBIN_SPRING		*		1
14	26261701	BTW_SPRING		*		1
15	40011144	BTW_TORSION_SPRING		*		1
16	40014837	BTW_SHAFT		*		1
17	40023022	BTW LEVER		*		1
18	RC0560711KP	RETAINING RING		*		1
19	RE0400000K0	E-RING 4		*		1
20	SM5040655SN	SCREW		*		1
21	SM8040802TP	SCREW M4X8		*		2
22	SM8050502TP	SCREW M5 L=5		*		1
23	WP0450826SC	WASHER 4.5X10X0.8		*		1
24	40040202	BOBBIN THREAD TENSION ASM.				1
25	11072204	TENSION NUT		*		1
26	40040203	BOBBIN THREAD TENSION ROD ASM.		*		1
27	B3126012000	THREAD TENSION DISK		*		2
28	B3129012A00	TENSION SPRING		*		1
29	B3120125000	ROTATING STOPPER		*		1
30	40037008	THREAD_CUTTER			☆	1
31	SM0051001SC	SCREW				1
32	SM0051001SC	SCREW				3
33	SM4051055SP	SCREW				1

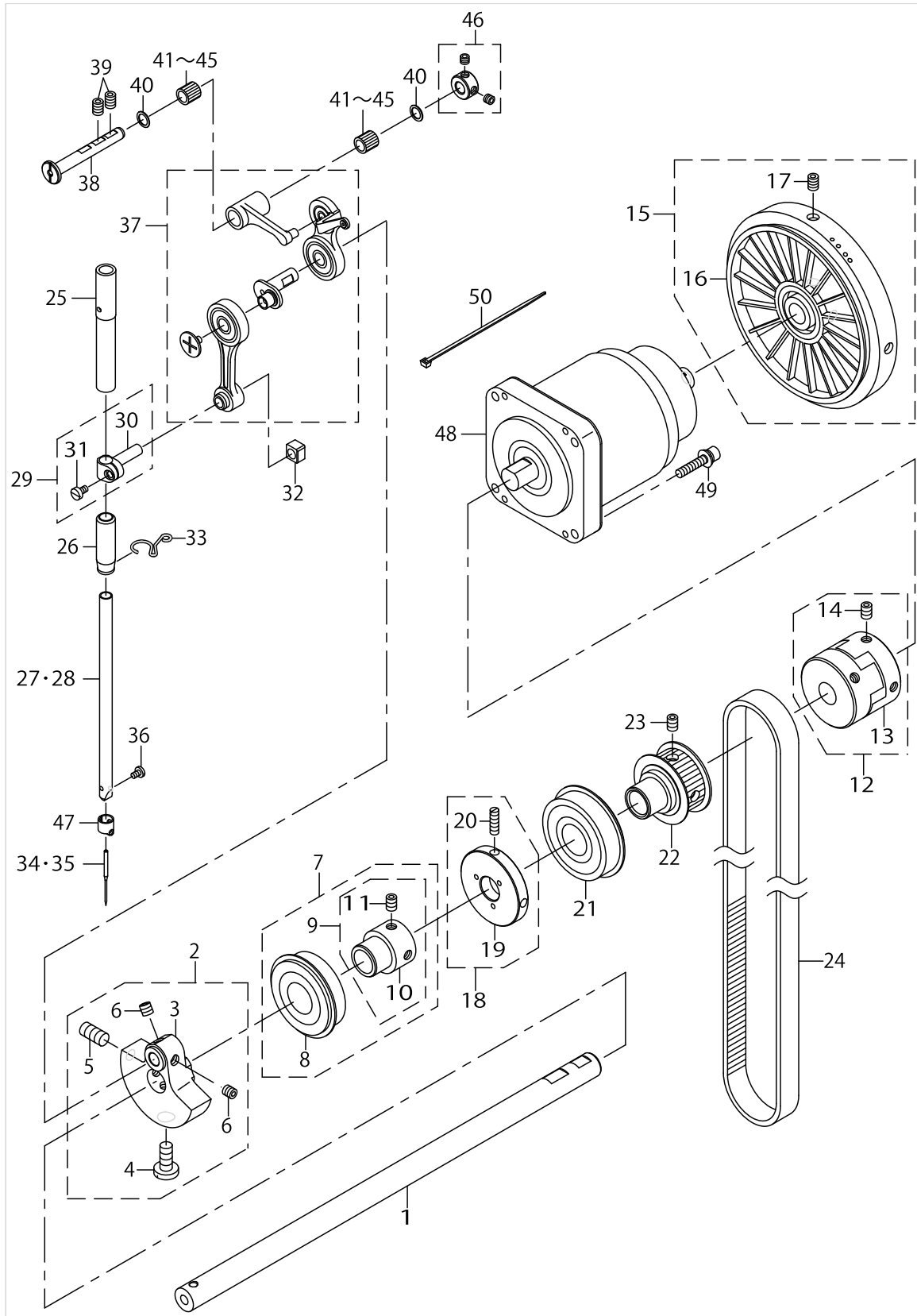
MAIN SHAFT & NEEDLE BAR COMPONENTS



MAIN SHAFT & NEEDLE BAR COMPONENTS

No.	Parts No.	Parts name	Remarks	Level	Cons	Qty
1	23604010	MAIN SHAFT				1
2	40037003	ASSY_COUNTER_WEIGHT				1
3	40025729	COUNTER WEIGHT		*		1
4	40004171	COUNTER_WEIGHT_SCREW		*		1
5	SM8081652TP	SCREW M8 L=16		*		1
6	SM80606A2TP	L=6SCREW M6 L=6		*		2
7	23605256	BEARING SUPPORT COMPL.				1
8	SB120001300	BEARING		*		1
9	40044857	FRONT BEARING SUPPORT ASM.		*		1
10	23605207	MAIN SHAFT BEARING SUPPORT		*		1
11	SM80608A2TP	L=8SCREW M6 L=8		*		2
12	40051473	COUPLING ASM.				1
13	40051474	COUPLING		*		1
14	SM80608A2TP	L=8SCREW M6 L=8		*		4
15	40037007	HAND WHEEL ASM.				1
16	40037006	HAND WHEEL		*		1
17	SM80608A2TP	L=8SCREW M6 L=8		*		2
18	40020454	BTW DRIVING WHEEL ASM.				1
19	40020455	BTW DRIVING WHEEL		*		1
20	SM8051610SP	SCREW M5 L=16		*		2
21	SB120000800	BEARING				1
22	40039946	SPROCKET ASM.				1
23	SM80608A2TP	L=8SCREW M6 L=8				2
24	23607302	TIMING BELT				1
25	23608003	NEEDLE BAR METAL,UPPER				1
26	23608102	NEEDLE BAR METAL,LOWER				1
27	22886907	NEEDLE BAR (A)	FOR KO,ST,SH(FOR DBX1)			1
28	22887004	NEEDLE BAR (B)	FOR JE(FOR DPX5)			1
29	22906457	NEEDLE BAR HOLDER ASM.				1
30	22906408	NEEDLE ROD HOLDER		*		1
31	SS6090670TP	SCREW 9/64-40 L=6		*		1
32	B1414555000	SLIDE BLOCK				1
33	23626203	NEEDLE BAR THREAD GUIDE				1
34	MDB100B1100	NEEDLE DBX1 #11	FOR KO,ST,SH(FOR DBX1)		☆	1
35	MC200500750	NEEDLE 134 NM75	FOR JE(FOR DPX5)		☆	1
36	SS7080510TP	SCREW 1/8-44 L=4.5			☆	1
37	40037370	THREAD TAKE UP COMP.				1
38	40035855	THREAD TAKE UP CRANK SHAFT				1
39	SM80608A2TP	L=8SCREW M6 L=8				2
40	22891204	BEARING SUPPORT				2
41	SB307000200	BEARING	SELECTIVE PARTS			2
42	SB30700020A	BEARING	SELECTIVE PARTS			2
43	SB30700020B	BEARING	SELECTIVE PARTS			2
44	SB30700020C	BEARING	SELECTIVE PARTS			2
45	SB30700020D	BEARING	FOR JE(FOR DPX5)			2
46	40010434	THRUST_COLLAR_ASM.				1
47	22906309	NEEDLE BAR THREAD GUIDE				1

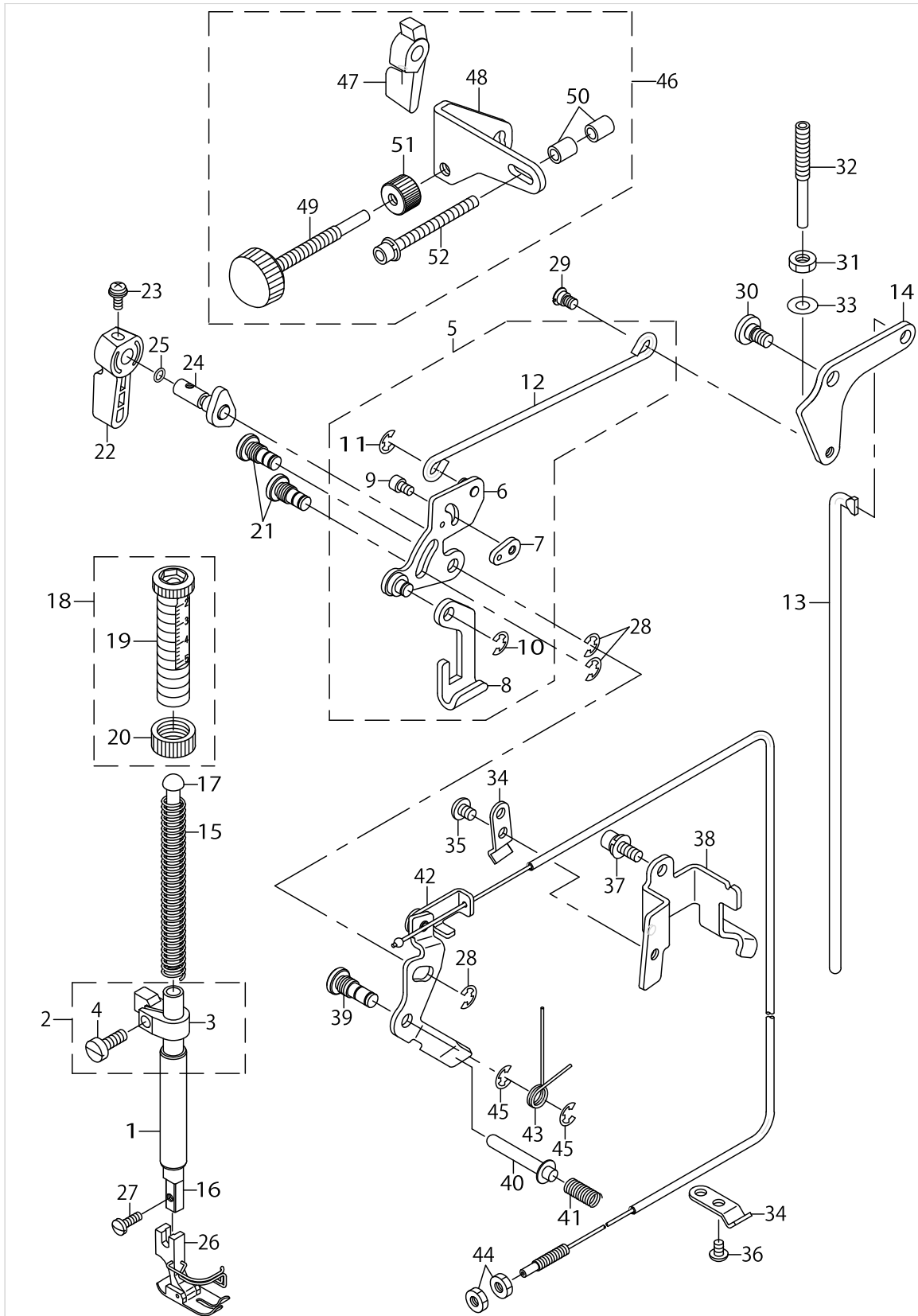
MAIN SHAFT & NEEDLE BAR COMPONENTS



## MAIN SHAFT & NEEDLE BAR COMPONENTS

No.	Parts No.	Parts name	Remarks	Level	Cons	Qty
48	40050265	AC_SERVO_MOTOR				1
49	SL6052592TN	BOLT				4
50	EA9500B0100	CABLE BAND				2

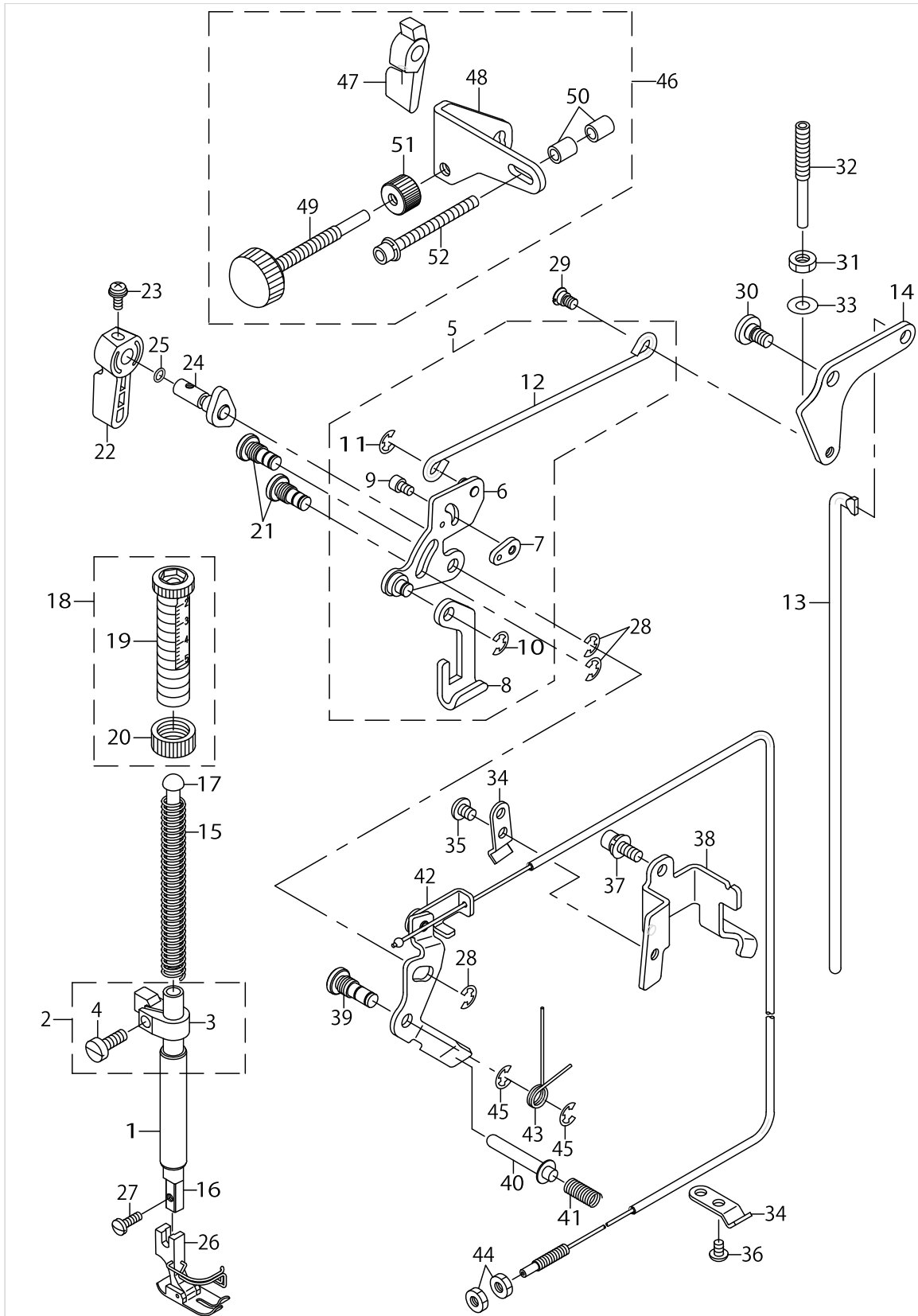
# HAND LIFTER & TENSION RELEASE COMPONENTS



HAND LIFTER & TENSION RELEASE COMPONENTS

No.	Parts No.	Parts name	Remarks	Level	Cons	Qty
1	23609001	BUSHING				1
2	40040264	PRESSER BAR GUIDE BRACKET ASM.				1
3	40039078	PRESSER BAR GUIDE BRACKET		*		1
4	SM6051400SP	SCREW		*		1
5	23609357	LIFTING LEVER CONNECT ROD ASM.				1
6	23609456	LIFTING LINK COMPL.		*		1
7	23609605	PLATE		*		1
8	22908008	LIFTING PLATE		*		1
9	SM6040602TP	SCREW M4 L=6		*		1
10	RE0500000K0	E-RING		*		1
11	RE0500000K0	E-RING		*		1
12	23609308	LIFTING LEVER CONNECT ROD		*		1
13	23609803	CONNECTING ROD				1
14	23609704	LIFTING LEVER LINK				1
15	22907406	PRESSER SPRING				1
16	23610207	PRESSER BAR				1
17	23610306	PRESSER GUIDE BAR				1
18	40037359	PRESSER SPRING REGULATOR ASM.				1
19	40037141	PRESSER SPRING REGULATOR		*		1
20	40037144	PRESSER SPRING REGULATOR NUT		*		1
21	40050583	LINK SHAFT				2
22	22907802	HAND LIFTER				1
23	B1521555000	SCREW				1
24	22908552	HAND LIFTER CAM ASM.				1
25	RO037180100	RUBBER RING				1
26	B15240120BA	PRESSER FOOT ASM.				1
27	SS7091110TP	SCREW 9/64-40 L=10.5			☆	1
28	RE0500000K0	E-RING				3
29	22908909	HINGE SCREW				1
30	SD0720336SP	SHOULDER SCREW				1
31	NM6060003SE	NUT FOR BRACKET				1
32	40036706	ADJUSTING SCREW				1
33	WP0621016SD	WASHER 6.2X13X1				1
34	22944508	WIRE PRESSER A				2
35	SM4050655SP	SCREW M5 L=6				1
36	SM4040655SP	SCREW M4 L=6				1
37	SL6051492TN	BOLT				1
38	40039708	WIRE HOLDER				1
39	40050582	TENSION RELEASE SHAFT				1
40	22920300	THREAD RELEASE SUPPORTING PIN				1
41	22920409	THREAD RELEASE PIN SPRING				1
42	23626351	THREAD TENSION RELEASE WIRE				1
43	23626807	TENSION RELEASE RETURN SPRING				1
44	NS6620310SP	NUT 3/16-32				2
45	RE0500000K0	E-RING				2
46	40056622	MINUTE LIFTING DEVICE ASM.	OPTIONAL PARTS			1
47	23611106	HAND LIFTER		*		1

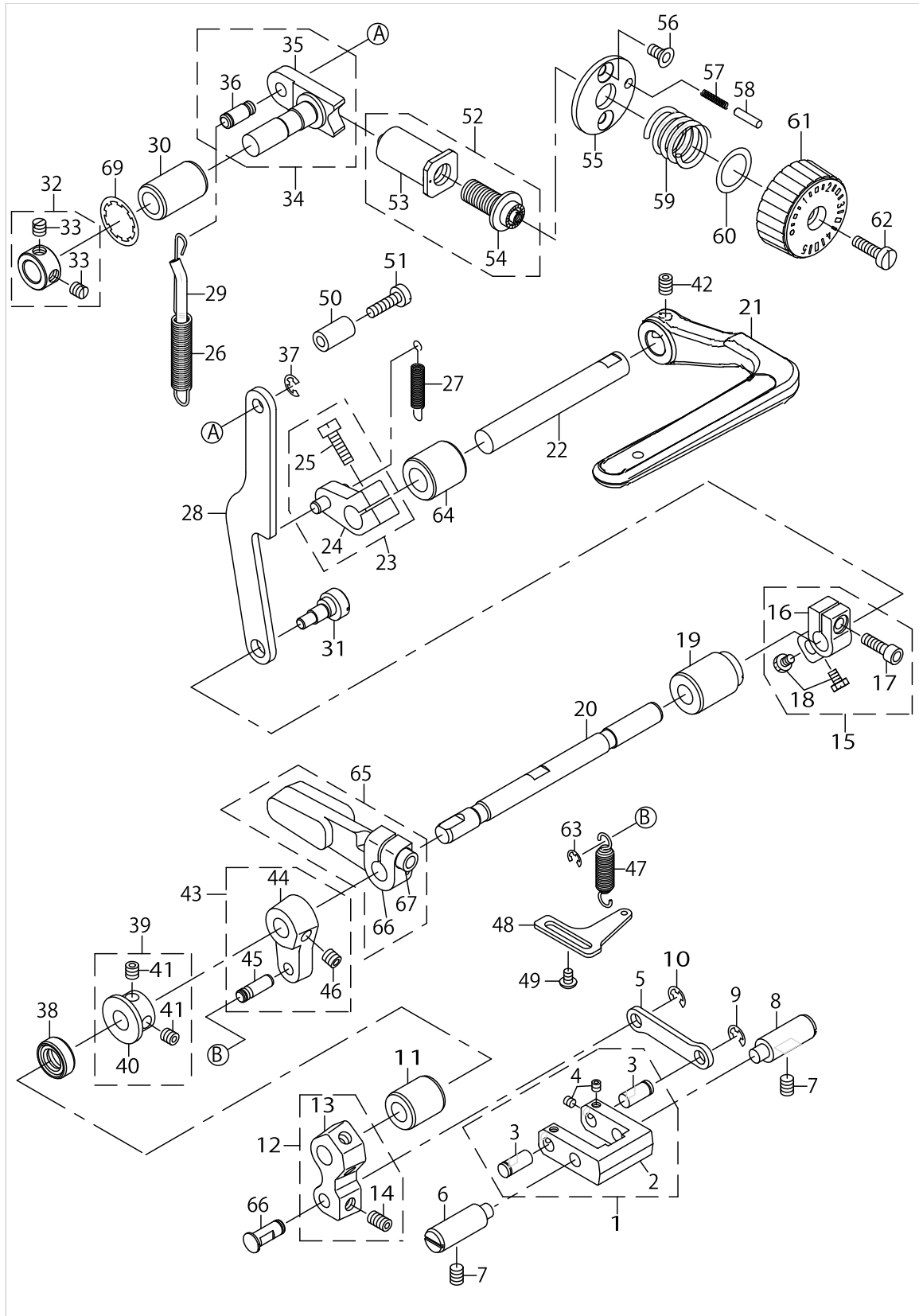
HAND LIFTER & TENSION RELEASE COMPONENTS



HAND LIFTER & TENSION RELEASE COMPONENTS

No.	Parts No.	Parts name	Remarks	Level	Cons	Qty
48	23610504	STOPPER BASE		*		1
49	23610652	STOPPER SCREW ASM.		*		1
50	D5119206K0K	SPACER		*		2
51	23610702	STOPPER SCREW NUT		*		1
52	SL6053592TN	BOLT		*		1

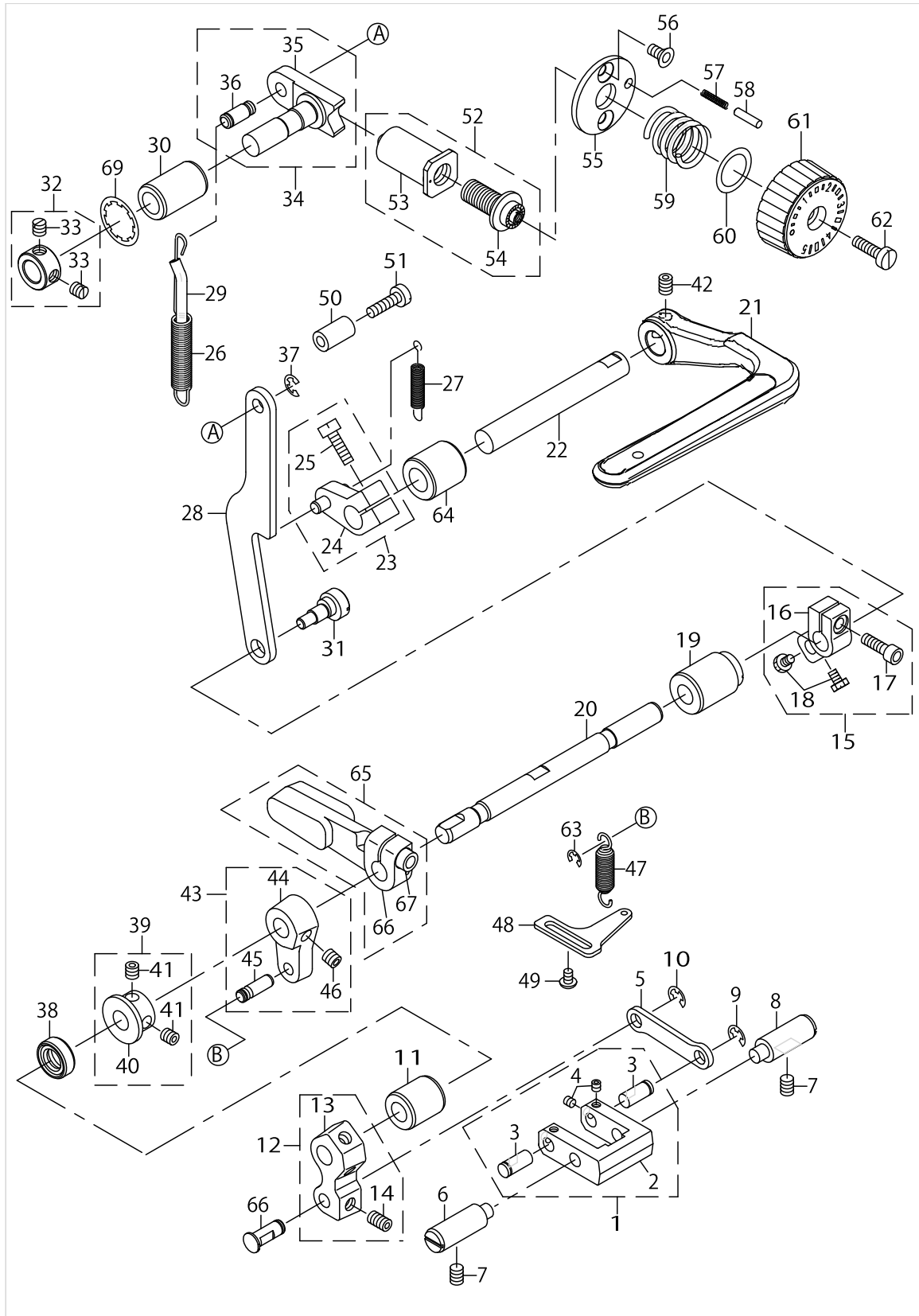
# FEED ADJUST MECHANISM COMPONENTS



FEED ADJUST MECHANISM COMPONENTS

No.	Parts No.	Parts name	Remarks	Level	Cons	Qty
1	40037188	ADJUSTING LINK ASM.				1
2	40026272	ADJUSTING LINK		*		1
3	40033393	ADJUSTING LINK PIN		*		2
4	SM80404A2TP	CREW M4 L=4		*		4
5	23612104	ADJUSTING LINK CONNECTING LINK				1
6	40012032	ADJUSTING LINK FULCRUM SHAFT				2
7	SM80608A2TP	L=8SCREW M6 L=8				2
8	40040370	ADJUSTING LINK FULCRUM SHAFT B				1
9	RE0500000K0	E-RING				1
10	RE0500000K0	E-RING				1
11	23612807	METAL,A				1
12	40056502	FEED CHANGING SHAFT ARM A ASM.				1
13	40053465	FEED CHANGING SHAFT ARM A		*		1
14	SS8661012TP	SCREW		*		3
15	40037191	FEED CHANGING SHAFT ARM B ASM.				1
16	40026274	FEED CHANGING SHAFT ARM B		*		1
17	SM6051602TP	SCREW M5X0.8 L=16		*		1
18	SM9040650TP	SCREW M4 L=6		*		2
19	40060869	FEED CHANGING SHAFT METAL B				1
20	40037017	FEED CHANGING SHAFT				1
21	40041470	REVERSE_FEED_LEVER				1
22	23613706	FEED LEVER SHAFT				1
23	23613953	FEED LEVER ARM ASM.				1
24	23613904	FEED LEVER ARM		*		1
25	SS6121860SP	SCREW 3/16-28 L=18		*		1
26	40027582	FEED ADJUSTING SPRING				1
27	23614308	FEED LEVER SPRING				1
28	40026275	FEED ADJUSTING ROD				1
29	23630007	TUBE				0.1
30	23613508	ADJUSTING BASE SHAFT METAL				1
31	40028112	FEED_ADJUSTING_PIN				1
32	CS111101CSH	THRUST COLLAR ASM.D=11.11 W=10				1
33	SS8660610TP	SCREW 1/4-40 L=6		*		2
34	40036344	FEED REGULATOR ASSY				1
35	40036343	FEED REGULATOR		*		1
36	40040499	FEED REGUKATOR PIN		*		1
37	RE0500000K0	E-RING				1
38	23612609	FEED CHANGING SHAFT OIL SEAL				1
39	40055585	THRUST COLLAR ASM.				1
40	23612716	THRUST COLLAR		*		1
41	SS8660612TP	SCREW 1/4-40 L=6		*		2
42	SM80608A2TP	L=8SCREW M6 L=8				2
43	40053450	FEED CHANGING SHAFT ARM C ASM.				1
44	40050221	FEED CHANGING SHAFT ARM C		*		1
45	40056721	FEED CHANGING SHAFT ARM C PIN		*		1
46	SS8660612TP	SCREW 1/4-40 L=6		*		1
47	40050219	FEED CHANGING SHAFT SPRING				1

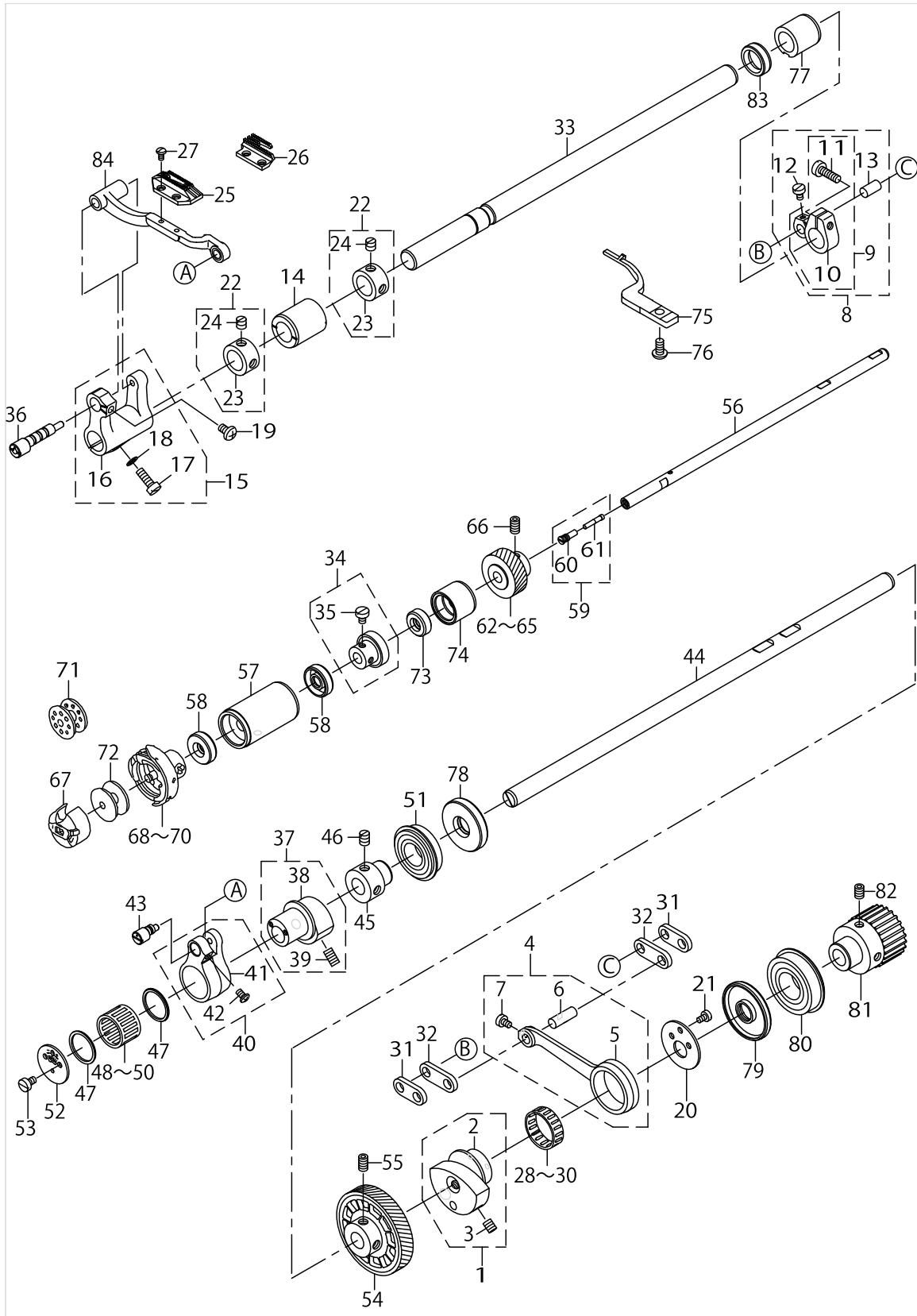
FEED ADJUST MECHANISM COMPONENTS



FEED ADJUST MECHANISM COMPONENTS

No.	Parts No.	Parts name	Remarks	Level	Cons	Qty
48	40050220	FEED CHANGING SHAFT SPRING HOOK				1
49	SM4040655SP	SCREW M4 L=6				1
50	22952501	BACK LEVER STOPPER				1
51	SM6051850TP	SCREW M5 L=18				1
52	40062651	FEED ADJUSTING SHAFT ASM				1
53	40055569	FEED_ADJUSTING_SHAFT		*		1
54	23533904	FEED ADJUSTING SCREW		*		1
55	40053172	FEED ADJUSTING BASE				1
56	SM1051052TN	SCREW M5 L=10				2
57	22912109	FEED REGULATOR PIN SPRING				1
58	22912000	FEED REGULATOR PIN				1
59	23534506	FEED DIAL SPRING				1
60	WP1751616SD	WASHER 17.5X24X1.6				1
61	40036433	FEED_DIAL				1
62	SS6121860SP	SCREW 3/16-28 L=18				1
63	RE0400000K0	E-RING 4				1
64	23613805	FEED LEVER SHAFT METAL				1
65	40061560	FEED_CHANGING_BALANCER_ARM_ASM				1
66	40061545	FEED_CHANGING_BALANCER_ARM		*		1
67	SM6061802TP	SCREW M6 L=18		*		1
68	40053340	ADJUSTING LINK PIN				1
69	WT1780011KP	TOOTHED WASHER 18				1

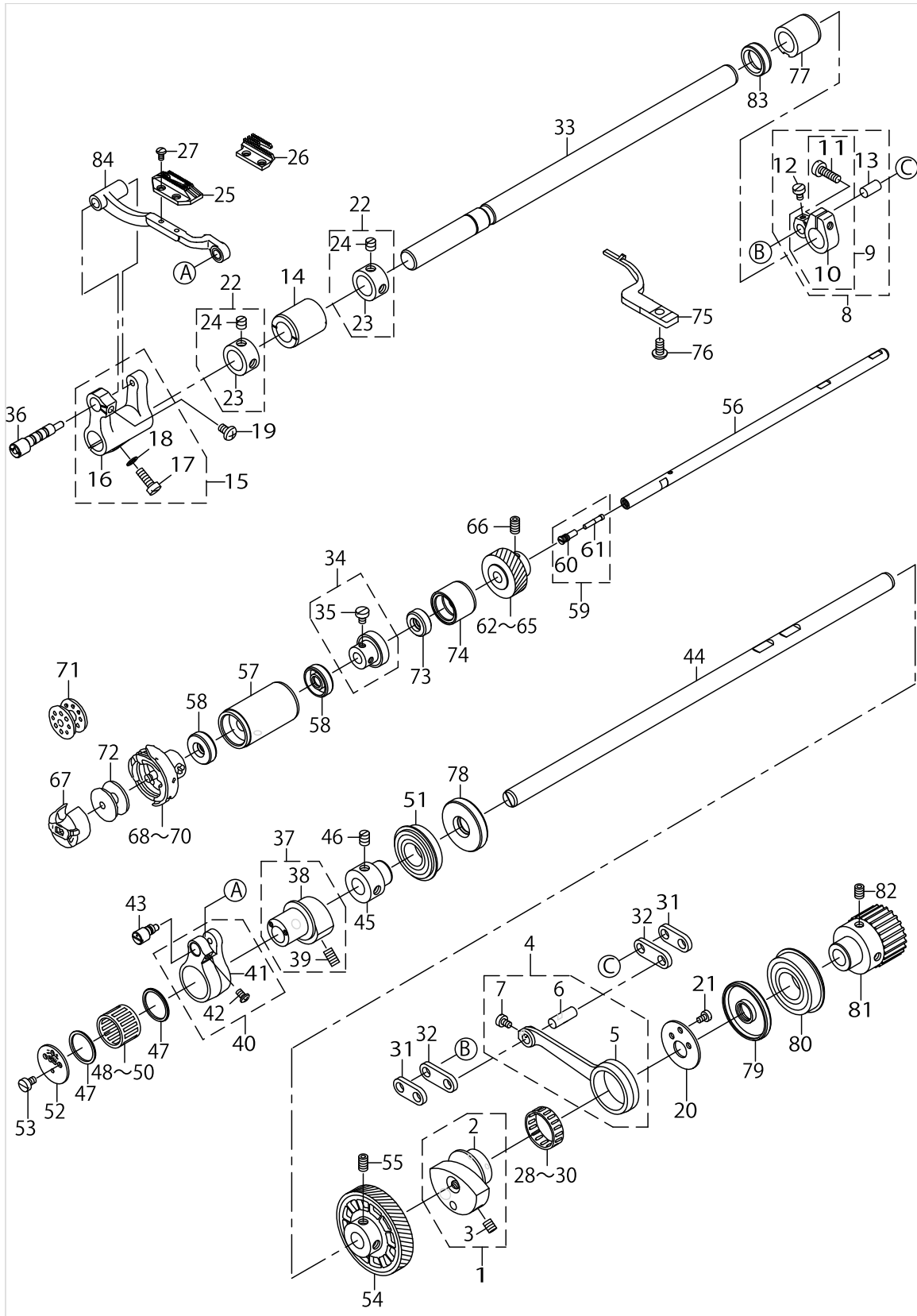
HORIZONTAL FEED, VERTICAL FEED & HOOK DRIVING SHAFT COMPONENTS



HORIZONTAL FEED, VERTICAL FEED & HOOK DRIVING SHAFT COMPONENTS

No.	Parts No.	Parts name	Remarks	Level	Cons	Qty
1	40037192	FEED ROCKER CAM ASM.				1
2	23616006	FEED ROCKER CAM		*		1
3	SS8150822TP	SCREW 15/64-28 L=8		*		2
4	40037365	FEED ROCKER ROD ASM.				1
5	40026277	FEED ROCKER ROD		*		1
6	22911101	WALKING FOOT PIN C		*		1
7	SS6090620TP	SCREW		*		1
8	40061246	FEED ROCKER ARM ALL ASM.				1
9	40058504	FEED ROCKER ARM ASM.		*		1
10	40042079	FEED ROCKER ARM		*		1
11	SS6121610SP	SCREW 3/16-28 L=15.5		*		1
12	SS6090620TP	SCREW		*		1
13	22911002	WALKING FOOT PIN B		*		1
14	40060868	FEED SHAFT FRONT METAL				1
15	40037005	ASSY_FEED_ROCKER_BASE_ARM				1
16	40026281	FEED ROCKER BASE ARM		*		1
17	SM6051400SP	SCREW		*		1
18	WP0531000SD	WASHER M5		*		1
19	SM4050855SP	SCREW				1
20	23616204	FEED ROCKER CAM PLATE				1
21	SS6090670TP	SCREW 9/64-40 L=6				2
22	22904155	MAIN SHAFT THRUST COLLAR ASM.				2
23	22904106	MAIN SHAFT THRUST COLLAR		*		1
24	SS8660610TP	SCREW 1/4-40 L=6		*		2
25	B1613012I00	FEED DOG I	FOR ST,JE,SH			1
26	23614506	FEED DOG A	FOR KO			1
27	SS4080620TP	SCREW 1/8-44 L=6				2
28	B412352200A	NEEDLE BEARING	SELECTIVE PARTS			1
29	B412352200B	NEEDLE ROLLAR	SELECTIVE PARTS			1
30	B412352200C	NEEDLE ROLLAR	SELECTIVE PARTS			1
31	40026278	CONNECTING LINK A				2
32	40060448	CONNECTING LINK B				2
33	23616600	FEED ROCKER SHAFT				1
34	23620354	BEARING SUPPORT ASM.				1
35	SS6110650TP	SCREW 11/64-40 L=5.5		*		2
36	40026282	FEED ROCKER BASE SHAFT				1
37	40000391	VERTICAL FEED CAM ASM. 5				1
38	40000392	VERTICAL FEED CAM 5		*		1
39	SS8151150TP	SCREW 15/64-28 L=10.5		*		2
40	40053720	FEED DRIVING BASE ARM ASM.				1
41	40026287	FEED DRIVING BASE ARM		*		1
42	SM4040655SP	SCREW M4 L=6		*		1
43	40026288	FEED DRIVING BASE SHAFT				1
44	40030790	FEED DRIVING SHAFT				1
45	23618606	BEARING SUPPORT				1
46	SS8661012TP	SCREW				2
47	23618101	FEED DRIVING CAM THRUST BUSH				2

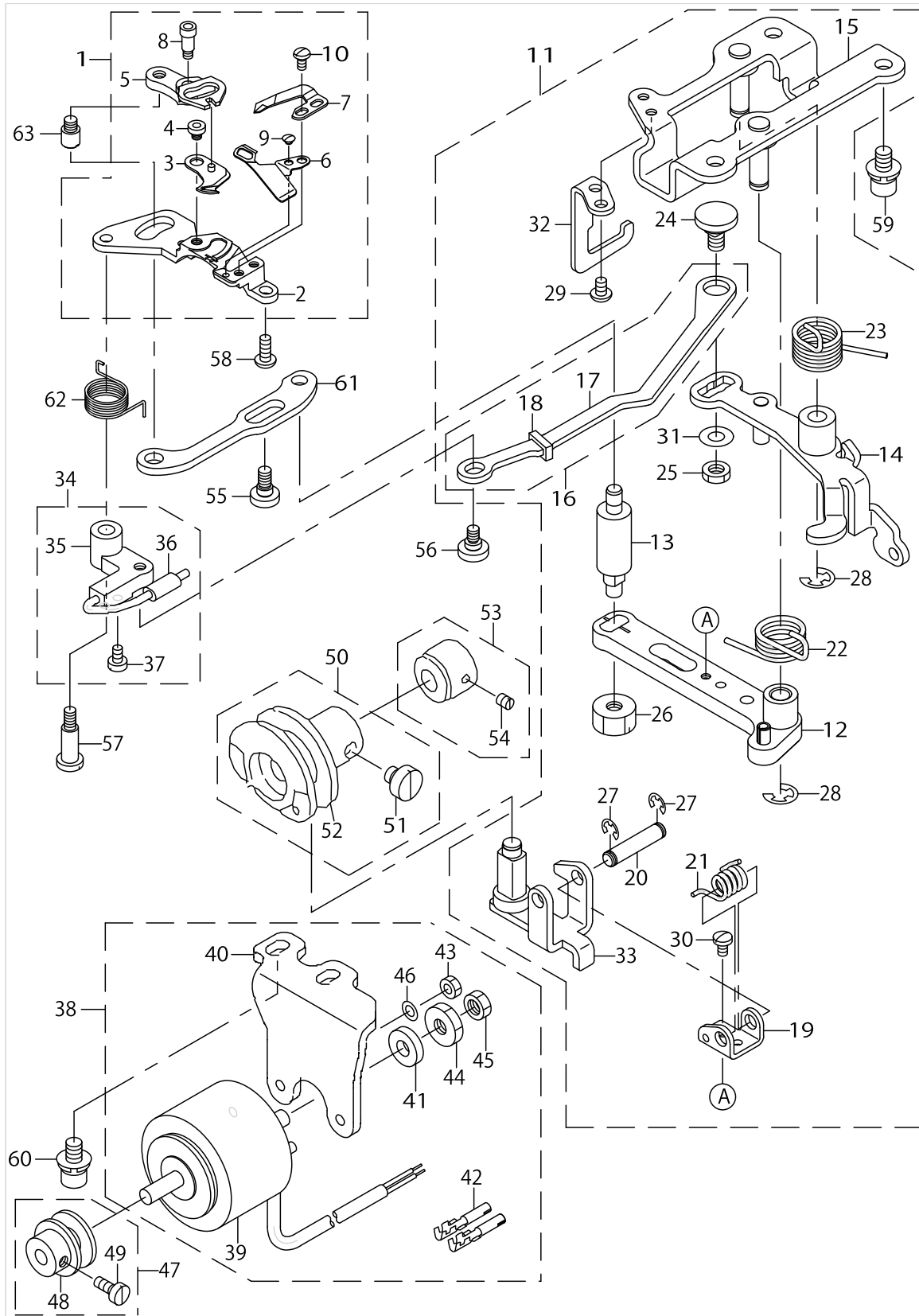
HORIZONTAL FEED, VERTICAL FEED & HOOK DRIVING SHAFT COMPONENTS



HORIZONTAL FEED, VERTICAL FEED & HOOK DRIVING SHAFT COMPONENTS

No.	Parts No.	Parts name	Remarks	Level	Cons	Qty
48	SB3200060A	BEARING	SELECTIVE PARTS			1
49	SB3200060B	BEARING	SELECTIVE PARTS			1
50	SB3200060C	BEARING	SELECTIVE PARTS			1
51	SB117000400	BEARING				1
52	23618309	FEED DRIVING CAM PLATE				1
53	SS6090670TP	SCREW 9/64-40 L=6				2
54	23620503	GEAR,LARGE				1
55	SS8661012TP	SCREW				2
56	23620008	HOOK SHAFT				1
57	23620156	HOOK SHAFT METAL COMPL.				1
58	23620206	OIL SEAL				2
59	22916555	OIL SEAL SCREW ASM.				1
60	22916506	SET SCREW		*		1
61	11015906	OIL WICK		*		1
62	23620701	GEAR,SMALL(A)	SELECTIVE PARTS			1
63	23620800	GEAR,SMALL(B)	SELECTIVE PARTS			1
64	23620909	GEAR,SMALL(C)	SELECTIVE PARTS			1
65	23621006	GEAR,SMALL(D)	SELECTIVE PARTS			1
66	SS8661012TP	SCREW				2
67	D1837555BAAA	BOBBIN CASE ASM.			☆	1
68	11141355	HOOK ASM.	FOR JE		☆	1
69	11038650	HOOK ASM.	FOR ST,KO,SH		☆	1
70	23621303	HOOK ASM. K	OPTIONAL PARTS		☆	1
71	B9117012000	BOBBIN	OPTIONAL PARTS		☆	1
72	B9117552A00	BOBBIN			☆	1
73	22890008	HOOK DRIVING SHAFT OIL SEAL				1
74	23620404	HOOK SHAFT REAR METAL				1
75	40068998	INNER HOOK HOLDER				1
76	SM4051055SP	SCREW				1
77	40060865	FEED SHAFT REAR METAL				1
78	23618705	OIL SEAL				1
79	23618804	OIL SEAL				1
80	SB120001000	BEARING				1
81	40031608	SPROCKET ASM.				1
82	SM8060812TP	SCREW M6 L=8				2
83	22888002	OIL SEAL				1
84	40030786	FEED BASE COMPL.				1

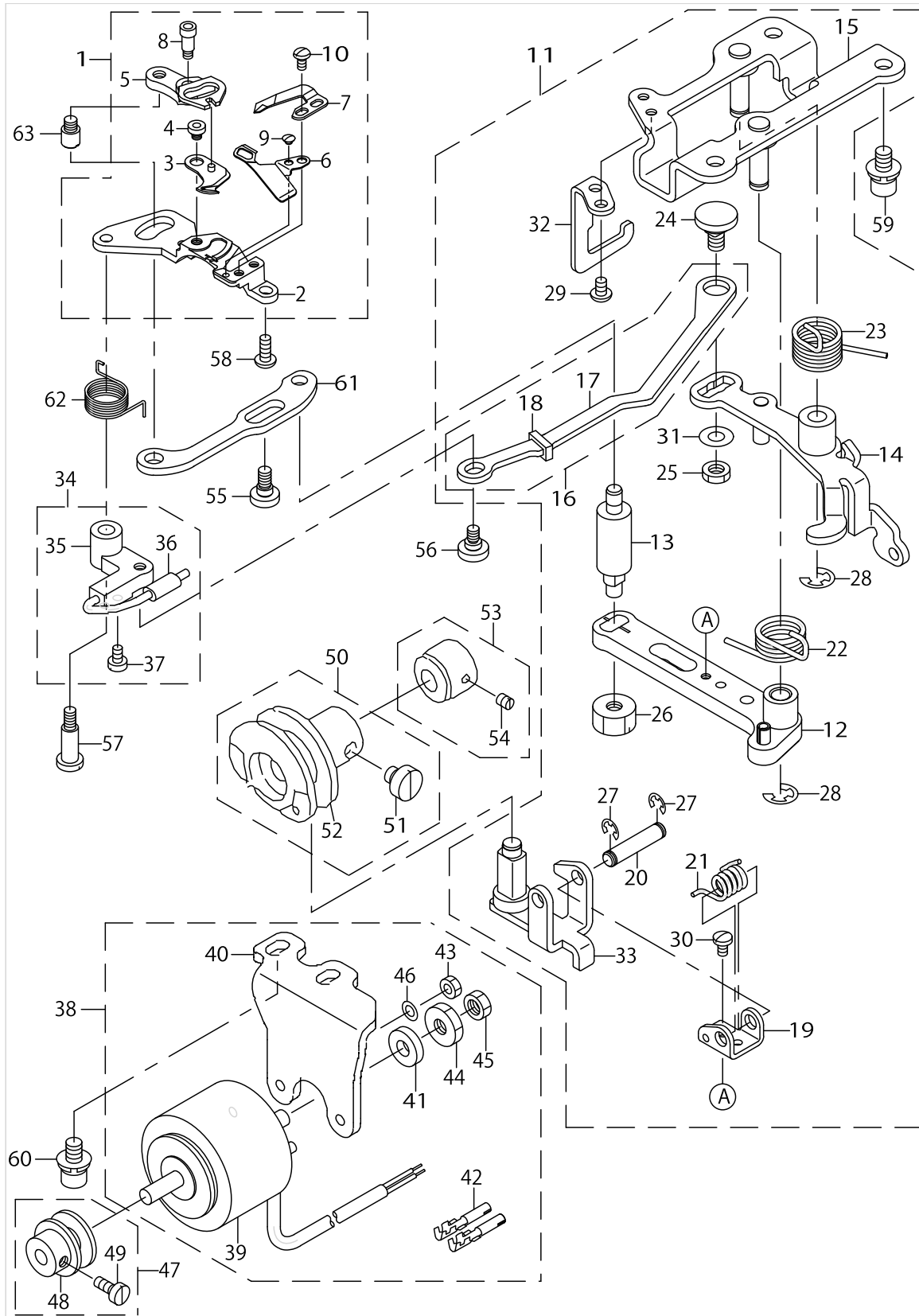
# THREAD TRIMMER COMPONENTS



THREAD TRIMMER COMPONENTS

No.	Parts No.	Parts name	Remarks	Level	Cons	Qty
1	40050585	KNIFE UNIT				1
2	22947907	KNIFE MOUNTING BASE		*		1
3	11040052	MOVING KNIFE ASM.		*	☆	1
4	11040409	MOVING KNIFE HINGE SCREW		*		1
5	22948202	FORKED BASE FOR KNIFE		*		1
6	40044189	THREAD_GUIDE_FOR_KNIFE		*	☆	1
7	D2406555D0H	COUNTER KNIFE		*	☆	1
8	SD0460703TP	HINGE SCREW D=4.6 H=7		*		1
9	SS2060210SP	SCREW 3/32-56 L=2.3		*	☆	1
10	SS4080620TP	SCREW 1/8-44 L=6		*		2
11	40036995	KNIFE_DRIVING_UNIT				1
12	40071740	KNIFE DRIVING ARM ASM.		*		1
13	40030338	MOVING KNIFE LINK PIN		*		1
14	40030335	CLUTCH PLATE ASM.		*		1
15	40030333	BASE PLATE ASM.		*		1
16	40041393	PICKER LINK ASM.		*		1
17	40030343	PICKER LINK		*		1
18	22919203	OIL PROTECTING RUBBER		*		1
19	22949002	ROLLER ARM SEAT		*		1
20	22949101	ROLLER FULCRUM SHAFT		*		1
21	22949200	ROLLER RETURN SPRING		*		1
22	40071950	KNIFE RETURN SPRING		*		1
23	40040407	CLUTCH SPRING		*		1
24	22950000	PICKER LINK PIN		*		1
25	NS6150310SP	NUT 15/64-28		*		1
26	NS6150810SP	NUT 15/64-28		*		1
27	RE0400000K0	E-RING 4		*		2
28	RE0600000K0	E-RING 6		*		2
29	SM4040655SP	SCREW M4 L=6		*		2
30	SS7090610SP	SCREW 9/64-40 L=6		*		1
31	WP0621016SH	WASHER		*		1
32	22950703	DRIVING ARM STOPPER		*		1
33	40030339	ROLLER ARM ASM.		*		1
34	40036998	ASSY_PICKER_ARM				1
35	40061215	PICKER ARM		*		1
36	40036997	ASSY_PICKER		*	☆	1
37	SS6090510TP	SCREW 9/64-40 L= 5.0		*		2
38	40040545	ASSY_THREAD_TRIM_SOLENOID				1
39	40056706	THREAD TRIMMER SOLENOID		*		1
40	40040508	SOLENOID_BASE		*		1
41	11043304	SOLENOID RUBBER		*		1
42	HK03464000B	PIN CONTACT		*		2
43	NM6040000SN	NUT M4		*		2
44	NS6660410SH	NUT		*		1
45	NS6660430SP	NUT 1/4-40		*		1
46	WP0430800SC	WASHER M4		*		2
47	23624554	DRIVING BLOCK ASM.				1

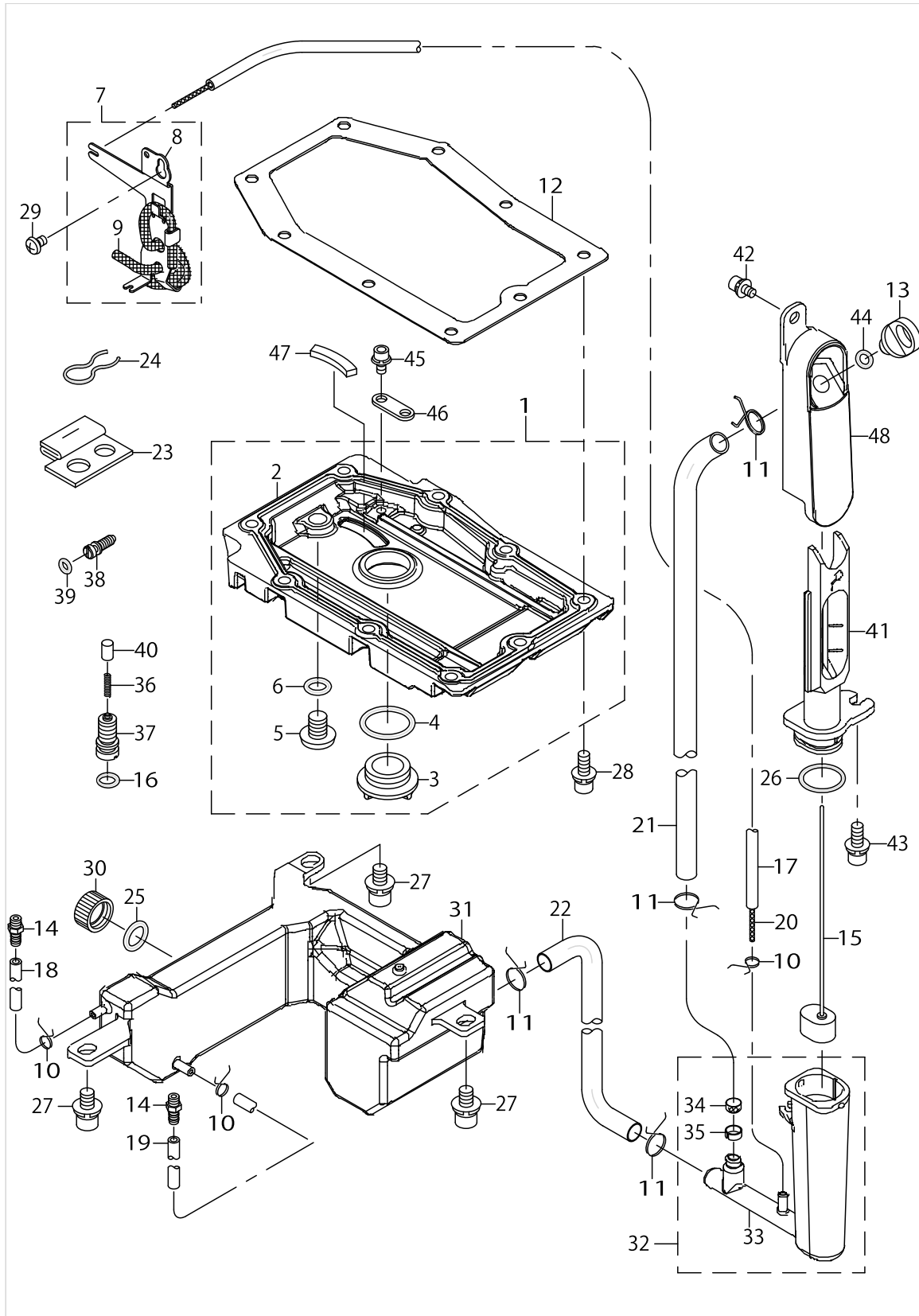
# THREAD TRIMMER COMPONENTS



THREAD TRIMMER COMPONENTS

No.	Parts No.	Parts name	Remarks	Level	Cons	Qty
48	23624505	DRIVING BLOCK		*		1
49	SS6110710TP	SCREW 11/64-40 L= 6.5		*		1
50	11042850	THREAD TRIMMER CAM ASM.				1
51	SS6660610TP	SCREW 1/4-40 L=6		*		2
52	11042801	THREAD TRIMMER CAM ASM.		*		1
53	22950950	CAM COLLAR ASM.				1
54	SS8110520TP	SCREW 11/64-40 L= 4.5		*		1
55	SD0600329TP	SHOULDER SCREW D=6 H=3.2				1
56	SD0630275SP	HINGE SCREW D= 6.35 H= 2.7				1
57	SD0641456TP	SHOULDER SCREW D=6.35 H=14.5				1
58	SM4041055SP	SCREW				1
59	SL6061292TN	SCREW				3
60	SL6061292TN	SCREW				2
61	40030342	MOVING KNIFE LINK				1
62	40029398	PICKER SPRING				1
63	23623903	PIN				1

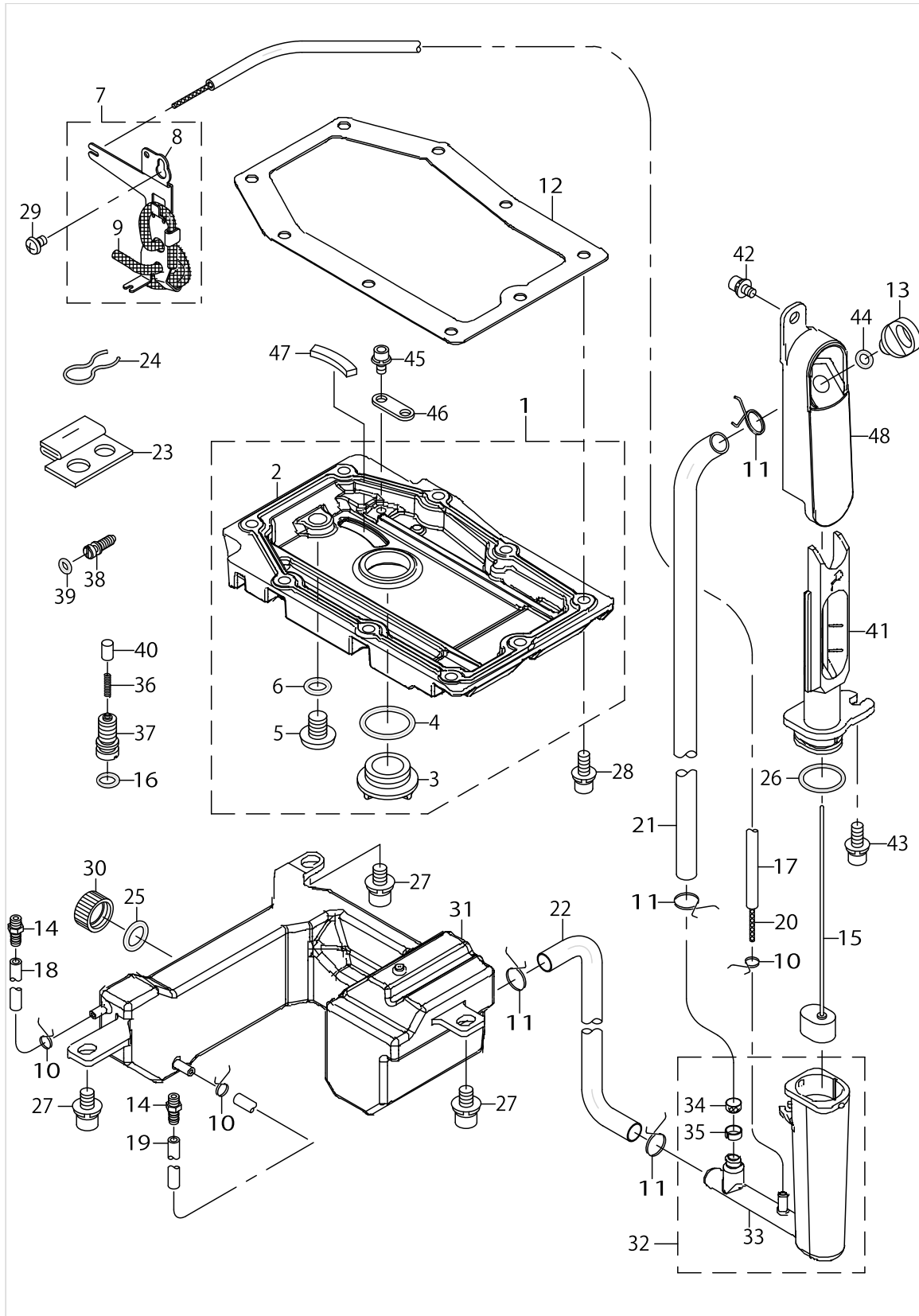
OIL LUBRICATION COMPONENTS



OIL LUBRICATION COMPONENTS

No.	Parts No.	Parts name	Remarks	Level	Cons	Qty
1	40037180	GEAR_BOX_COVER_ASM.				1
2	40026286	GEAR BOX COVER		*		1
3	40034246	OIL_SIGHT_WINDOW		*		1
4	RO195240100	RUBBER RING		*		1
5	13171004	DRAIN SCREW		*		1
6	13170105	RUBBER RING		*		1
7	23629256	OIL WICK SUPPORT ASM.				1
8	23629207	OIL WICK SUPPORT		*		1
9	23629702	OIL WICK		*		0.25
10	23629306	PIPE STOPPER A				3
11	23629405	PIPE STOPPER B				4
12	40037166	GEAR BOX PACKING				1
13	40000344	LUBRICATING INLET CAP				1
14	SQ2050453MZ	CONNECTING SCREW				2
15	40042048	FLOATER_ASM				1
16	RO068190100	RUBBER RING				1
17	23630007	TUBE				0.57
18	23630007	TUBE				0.08
19	23630007	TUBE				0.11
20	CQ200000001	OIL WICK				0.75
21	23630106	TUBE B				0.21
22	23630106	TUBE B				0.175
23	40075404	FACE FELT ASM.				1
24	22925101	OIL FELT PRESSER				1
25	RO098240100	RUBBER RING				1
26	RO172180100	RUBBER RING				1
27	SL6061292TN	SCREW				3
28	SL6051492TN	BOLT				9
29	SM5040655SN	SCREW				1
30	40013595	OIL_EXIT_CAP				1
31	40037129	OIL_TANK				1
32	40042642	FLOATER CASE ASM.				1
33	40037147	FLOATER CASE		*		1
34	23630403	OIL FILTER		*		1
35	23630502	OIL FILTER STOPPER		*		1
36	23628902	PLUNGER SPRING				1
37	40038328	PLUNGER SCREW				1
38	40037502	OIL ADJUSTING SCREW				1
39	RO037180100	RUBBER RING				1
40	23628803	PLUNGER				1
41	40037148	FLOATER CASE GUIDE				1
42	SL6040892TN	BOLT				1
43	SL6051492TN	BOLT				1
44	RO048190100	RUBBER RING				1
45	SL6040892TN	BOLT				1
46	40024644	MAGNET WASHER				1
47	23604705	MAGNET BASE PM				1

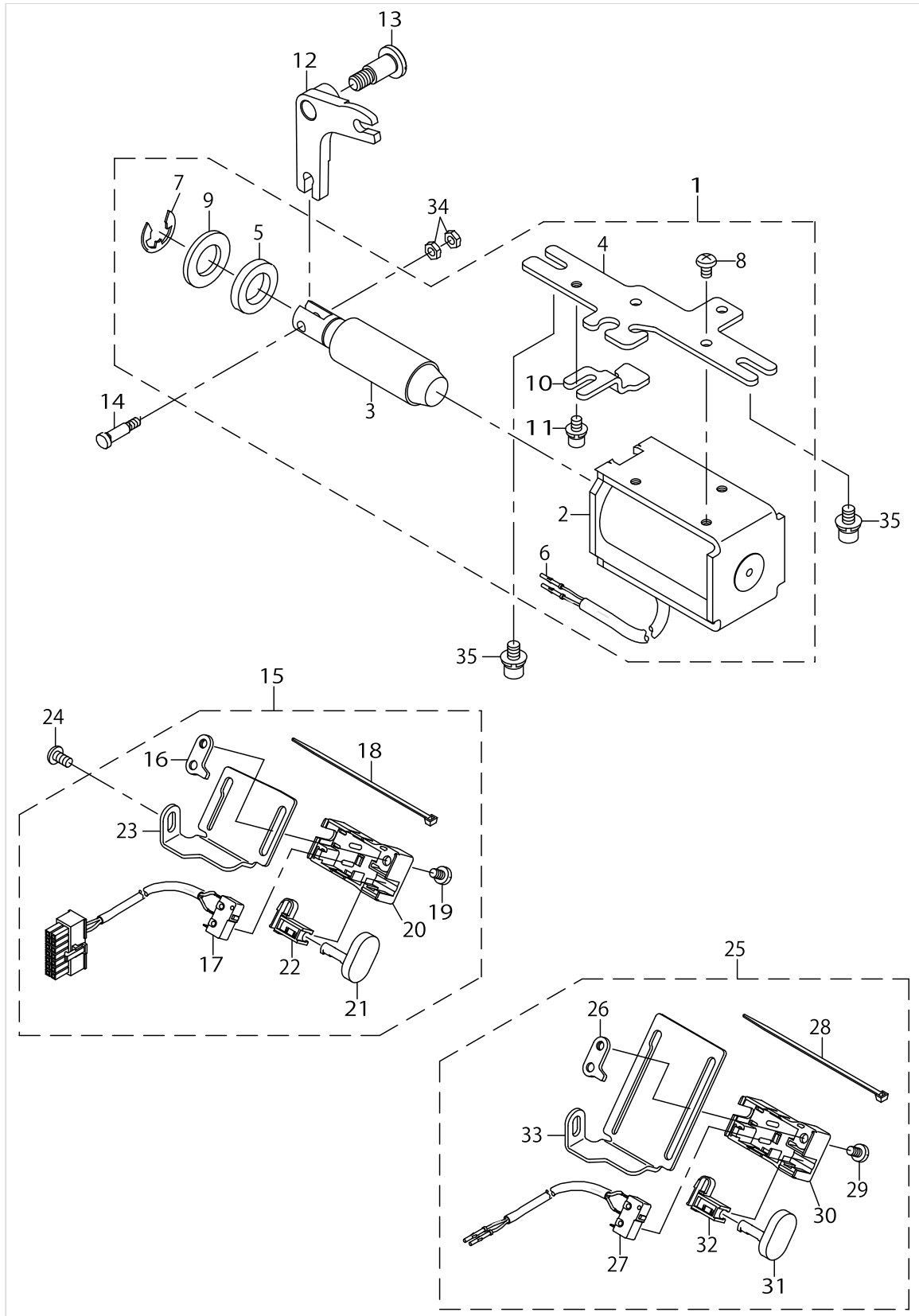
OIL LUBRICATION COMPONENTS



## OIL LUBRICATION COMPONENTS

No.	Parts No.	Parts name	Remarks	Level	Cons	Qty
48	40037145	FLOATER SIGHT WINDOW				1

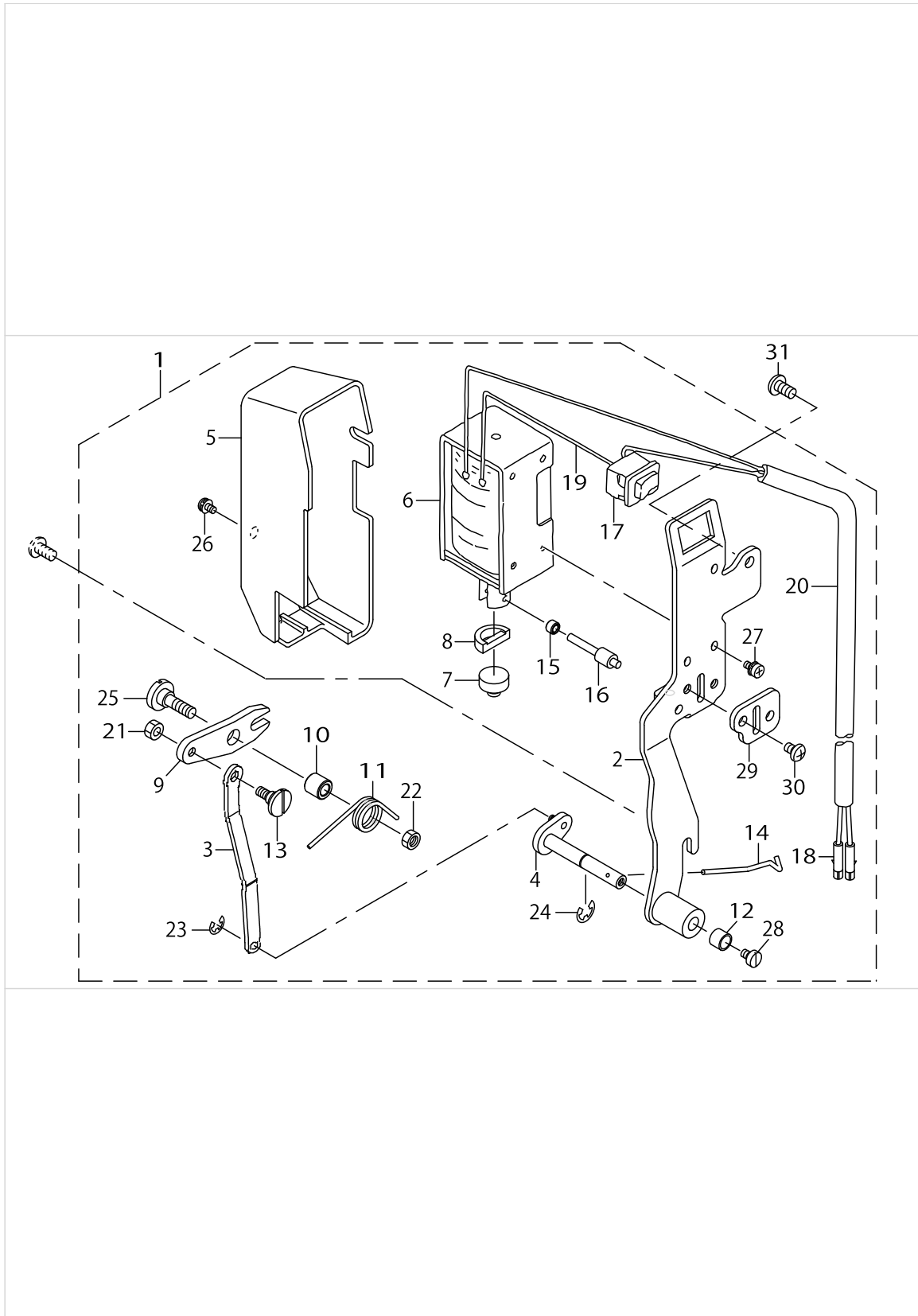
AUTOMATIC REVERSE FEED COMPONENTS



AUTOMATIC REVERSE FEED COMPONENTS

No.	Parts No.	Parts name	Remarks	Level	Cons	Qty
1	40040518	REVERSE FEED SOLENOID ASM.				1
2	40040519	REVERSE FEED SOLENOID		*		1
3	23631104	REVERSE FEED SOLENOID PLUNGER		*		1
4	40027156	REVERSE FEED SOLENOID BASE		*		1
5	D2468555B00	RUBBER PLUNGER		*		1
6	HK03464000B	PIN CONTACT		*		2
7	RE1200000K0	E-RING 12		*		1
8	SM4050855SP	SCREW		*		3
9	WP1703001SC	WASHER 17X30X3		*		1
10	40064072	CONDENSE STOPPER		*		1
11	SL6051092TN	BOLT		*		1
12	40026290	REVERSE FEED ARM				1
13	SD1001506TP	SHOULDER SCREW D=10 H=15				1
14	22962906	PLUNGER ARM PIN				1
15	23631757	REVERSE FEED SWITCH ASM.				1
16	23632102	REVERSE FEED SWITCH BASE GUIDE		*		1
17	23632359	REVERSE FEED CORD ASM.		*		1
18	EA9500B0100	CABLE BAND		*		1
19	SS7110740TP	SCREW 11/64-40 L=7		*		1
20	23631708	REVERSE FEED SWITCH COVER		*		1
21	23631807	REVERSE FEED SWITCH SHAFT		*		1
22	23631906	REVERSE FEED SWITCH SUPPORT		*		1
23	23632003	REVERSE FEED SWITCH BASE		*		1
24	SM4051055SP	SCREW				1
25	23632656	OPTION SWITCH ASM.	OPTIONAL PARTS			1
26	23632102	REVERSE FEED SWITCH BASE GUIDE		*		1
27	23632250	REVERSE FEED CORD ASM.		*		1
28	EA9500B0100	CABLE BAND		*		1
29	SS7110740TP	SCREW 11/64-40 L=7		*		1
30	23631708	REVERSE FEED SWITCH COVER		*		1
31	23631807	REVERSE FEED SWITCH SHAFT		*		1
32	23631906	REVERSE FEED SWITCH SUPPORT		*		1
33	23632607	OPTION SWITCH BASE		*		1
34	NS6110350SP	NUT 11/64-40				2
35	SL6061292TN	SCREW				2

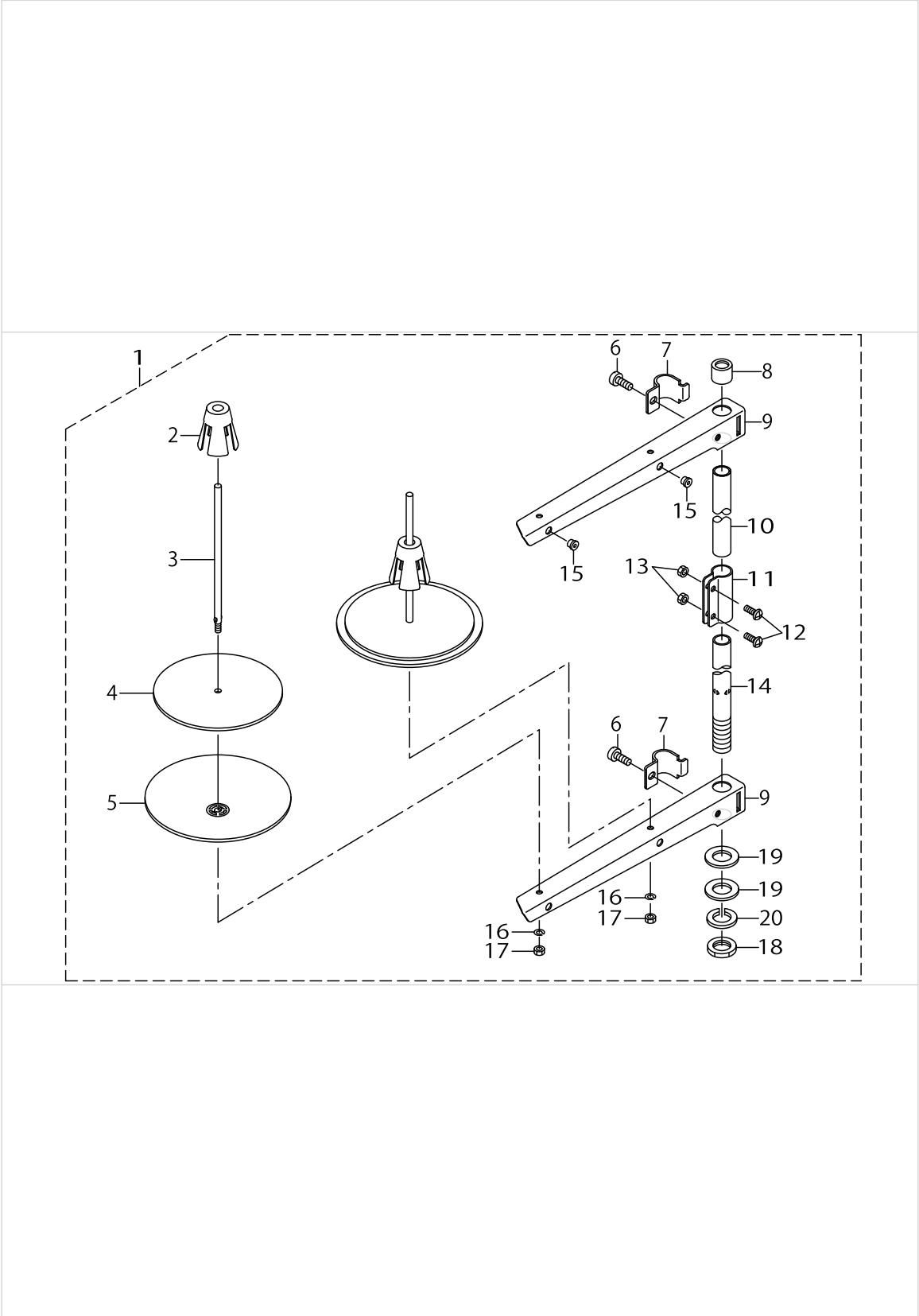
WIPER COMPONENTS (FOR DDL-9000A-\*\*-WB)



WIPER COMPONENTS (FOR DDL-9000A-\*\*-WB)

No.	Parts No.	Parts name	Remarks	Level	Cons	Qty
1	40077866	WIPER ASM.				1
2	40077853	WIPER BASE ASM.		*		1
3	23633209	WIPER LINK B		*		1
4	23633357	WIPER SHAFT ASM.		*		1
5	22955504	WIPER COVER		*		1
6	11110301	WIPER SOLENOID		*		1
7	22955900	WIPER RUBBER A		*		1
8	22956007	WIPER RUBBER B		*		1
9	22956106	WIPER LINK A		*		1
10	22956205	WIPER HINGE SCREW COLLAR		*		1
11	22956304	WIPER SPRING		*		1
12	22956809	WIPER COLLAR		*		1
13	22956908	WIPER LINK B HINGE SCREW		*		1
14	22957005	WIPER		*	☆	1
15	22957203	WIPER LINK COLLAR		*		1
16	40077852	WIPER SOLENOID SHAFT		*		1
17	HA000590000	POWER SWITCH		*		1
18	HK03464000B	PIN CONTACT		*		2
19	HW200390000	ELECTRIC WIRE		*		0.04
20	HW500070000	2-CORE CABTYRE CORD		*		1.3
21	NS6090310SP	NUT 9/64-40		*		1
22	NS6110310SP	NUT 11/64-40		*		1
23	RE0250000K0	E-RING 2.5		*		1
24	RE0500000K0	E-RING		*		1
25	SD0650321TP	HINGE SCREW D=6.5 H=3.2		*		1
26	SL4030631SC	SCREW M3X6		*		1
27	SL4030641SE	SCREW		*		3
28	SS6090540SP	SCREW 9/64-40 L= 5.0		*		1
29	40077851	WIPER SOLENOID SHAFT GUIDE		*		1
30	SS4110615SP	SCREW 11/64-40 L=6		*		2
31	SM4051055SP	SCREW				1

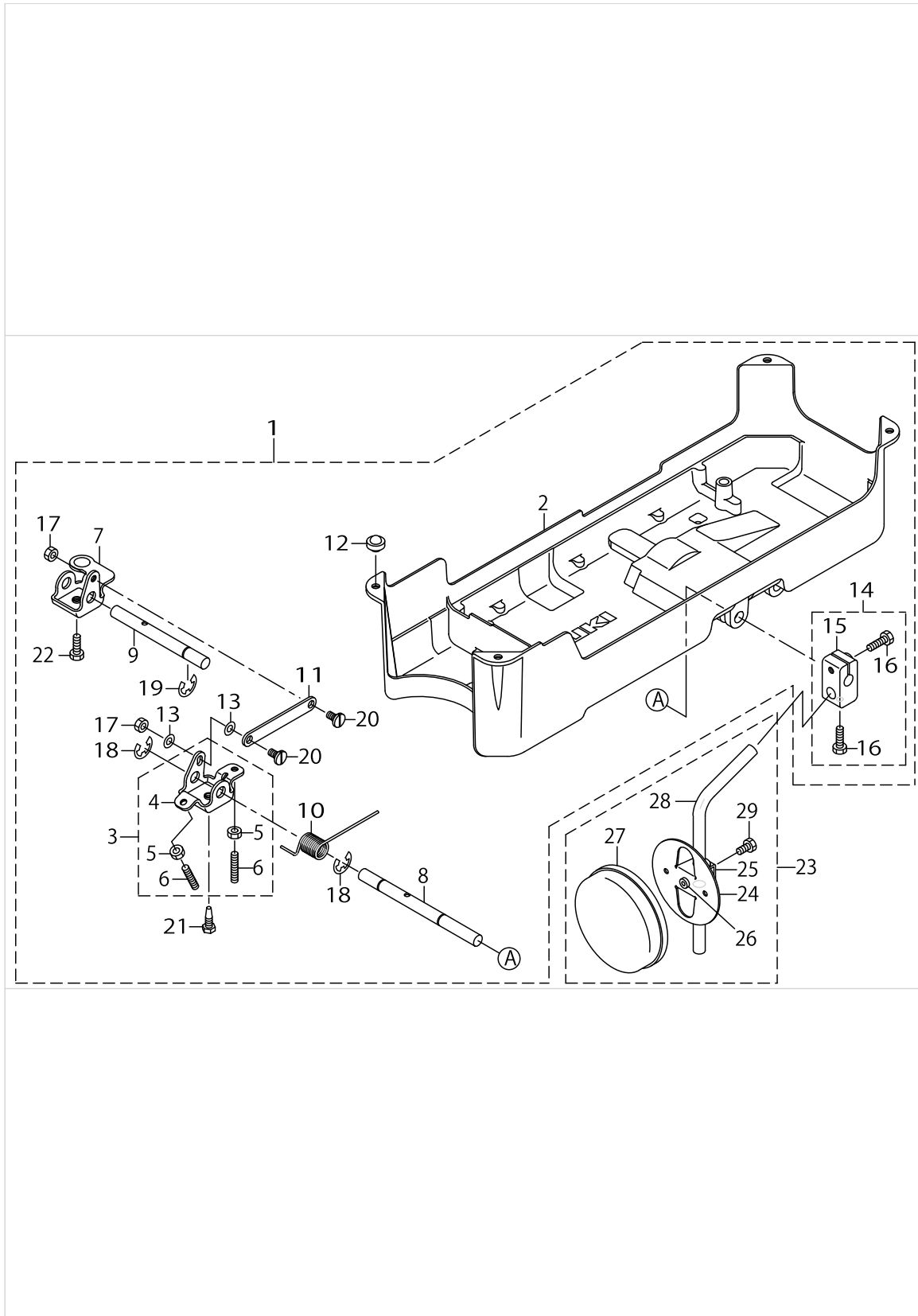
THREAD STAND COMPONENTS



THREAD STAND COMPONENTS

No.	Parts No.	Parts name	Remarks	Level	Cons	Qty
1	22930358	THREAD STAND ASM.				1
2	22931109	SPOOL RETAINER		*		2
3	22931000	SPOOL PIN		*		2
4	22930903	SPOOL REST CUSHION		*		2
5	22930804	SPOOL REST		*		2
6	SM6061610SC	SCREW M6 L=16		*		2
7	22930705	THREAD GUIDE ARM JOINT		*		2
8	22931406	SPOOL REST ROD RUBBER CAP		*		1
9	22930507	SPOOL REST ARM		*		2
10	22930408	SPOOL REST ROD, UPPER		*		1
11	22931307	SPOOL REST ROD JOINT		*		1
12	SM4051405SE	SCREW M5 L=14		*		2
13	NM6050001SE	NUT M5		*		2
14	22930309	SPOOL REST ROD, LOWER		*		1
15	22931208	THREAD GUIDE		*		2
16	WS0510002KN	SPRING WASHER		*		2
17	NM6050001SE	NUT M5		*		2
18	NM6160511SE	NUT M16X1.5		*		1
19	WP1612616SE	WASHER 16X30X2.6		*		2
20	WS1643202KR	SPRING WASHER		*		1

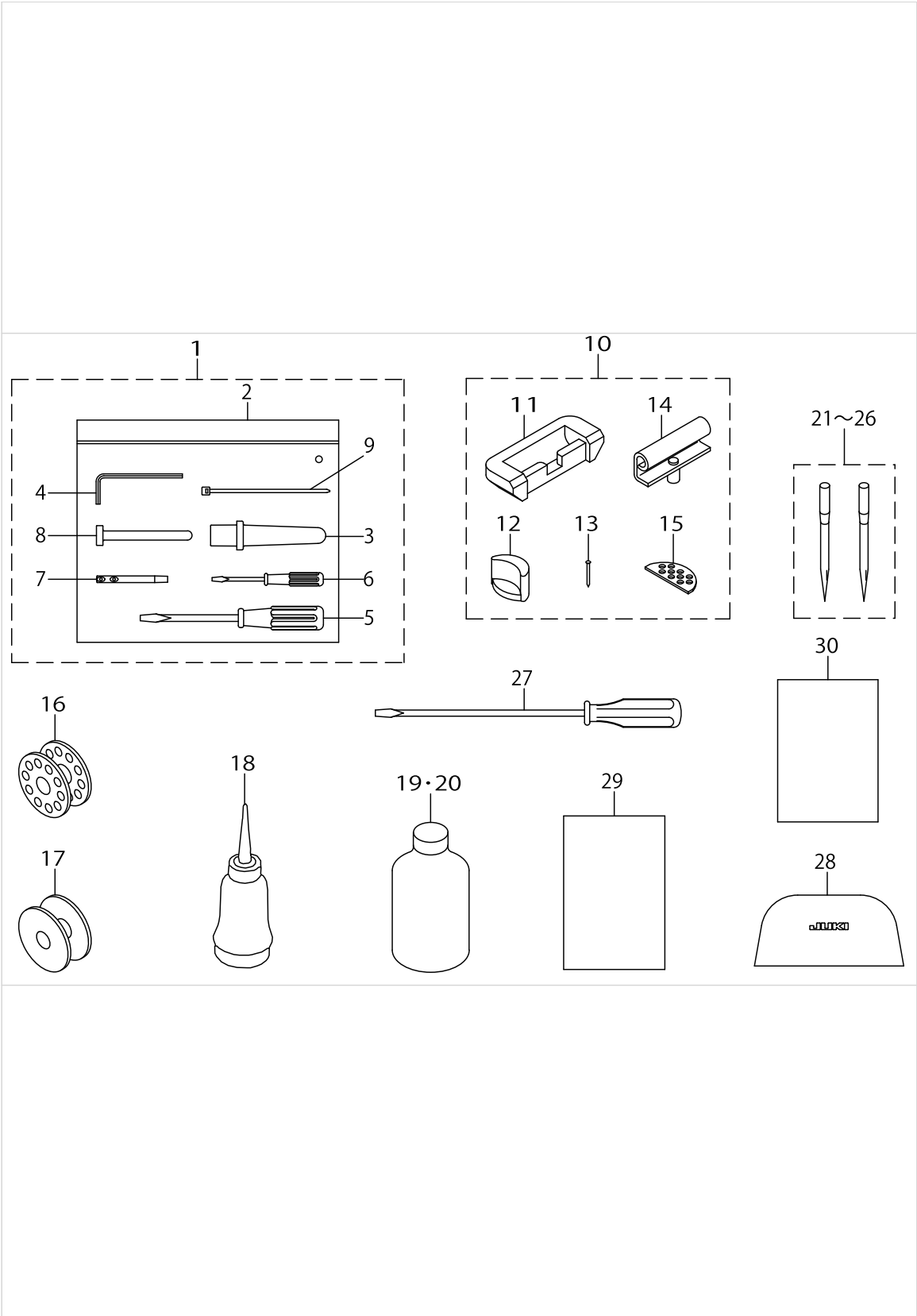
UNDER COVER COMPONENTS



UNDER COVER COMPONENTS

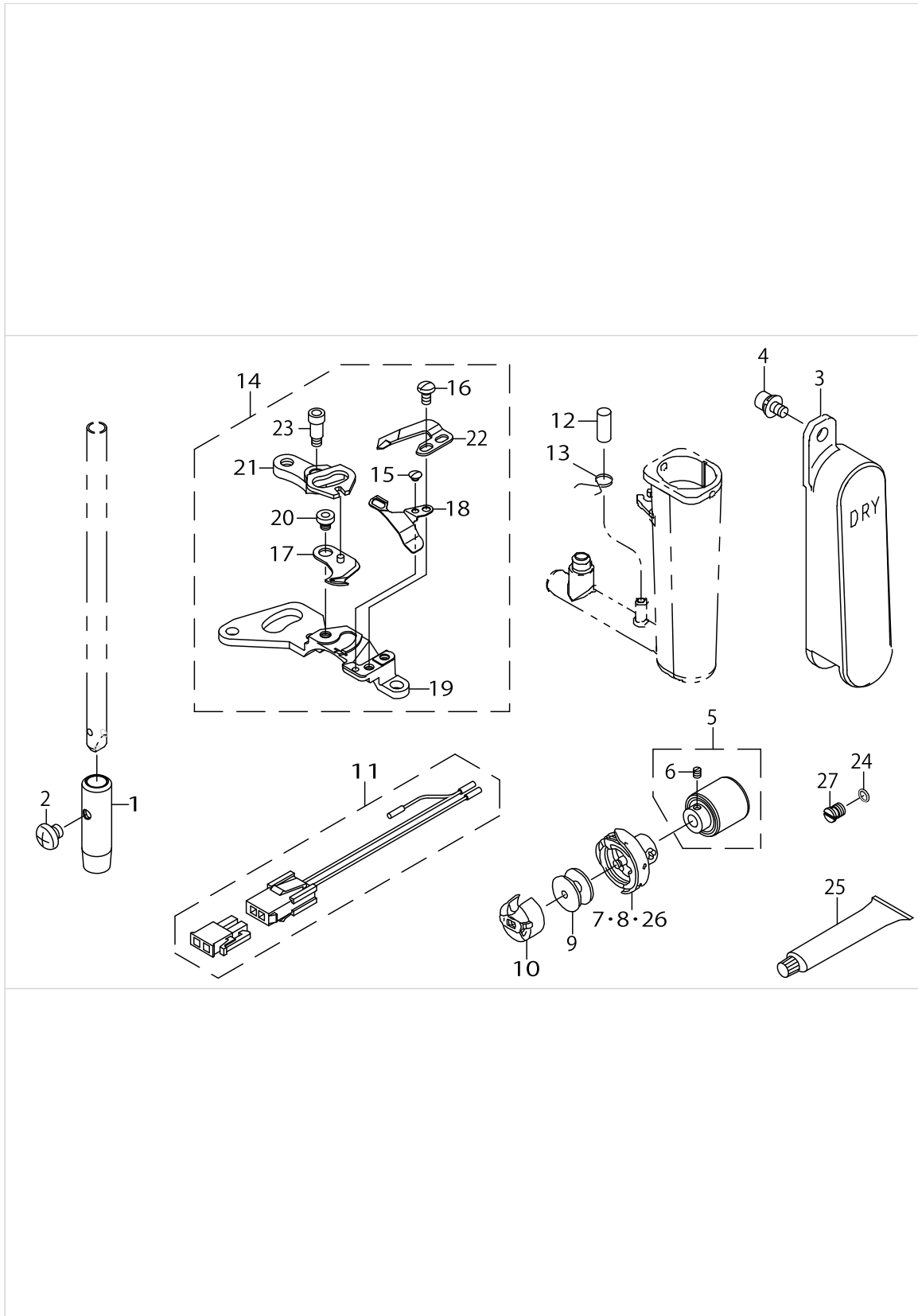
No.	Parts No.	Parts name	Remarks	Level	Cons	Qty
1	40062321	UNDER COVER ASM.				1
2	23639008	UNDER COVER		*		1
3	23639156	BRACKET ASM.		*		1
4	23639107	BRACKET		*		1
5	NM6060001SE	NUT M6		*		2
6	SM8063012TR	SCREW M6 L=30		*		2
7	23639206	CONNECTING ROT		*		1
8	23639305	KNEE PRESS ROD		*		1
9	23639404	SHAFT		*		1
10	23639503	SPRING		*		1
11	23639602	CONNECTING ROD		*		1
12	B1116210D00	FRAME SUPPORT RUBBER		*		4
13	WP0650876SD	WASHER 6.5X13X0.8		*		2
14	22932453	BRACKET ASM.		*		1
15	22932404	BRACKET		*		1
16	SM9062053SR	SCREW M6 L=20		*		2
17	NS6150310SP	NUT 15/64-28		*		2
18	RE1000000K0	E-RING 10		*		2
19	RE1000000K0	E-RING 10		*		1
20	SD0720331SP	HINGE SCREW D= 7.24 H= 3.3		*		2
21	SM9061853SR	SCREW M6 L=17.5		*		1
22	SM9061853SR	SCREW M6 L=17.5		*		1
23	22934251	KNEE PAD PLATE ASM.				1
24	22934202	KNEE PAD PLATE		*		1
25	22934301	KNEE PAD PLATE SUPPORT		*		1
26	22934400	KNEE PAD PLATE RUBBER		*		1
27	22934509	KNEE PAD PLATE COVER		*		1
28	22934608	KNEE PAD UPRIGHT SHAFT		*		1
29	SM9061203SE	SCREW M6 L=12		*		1

ACCESSORIE PART COMPONENTS



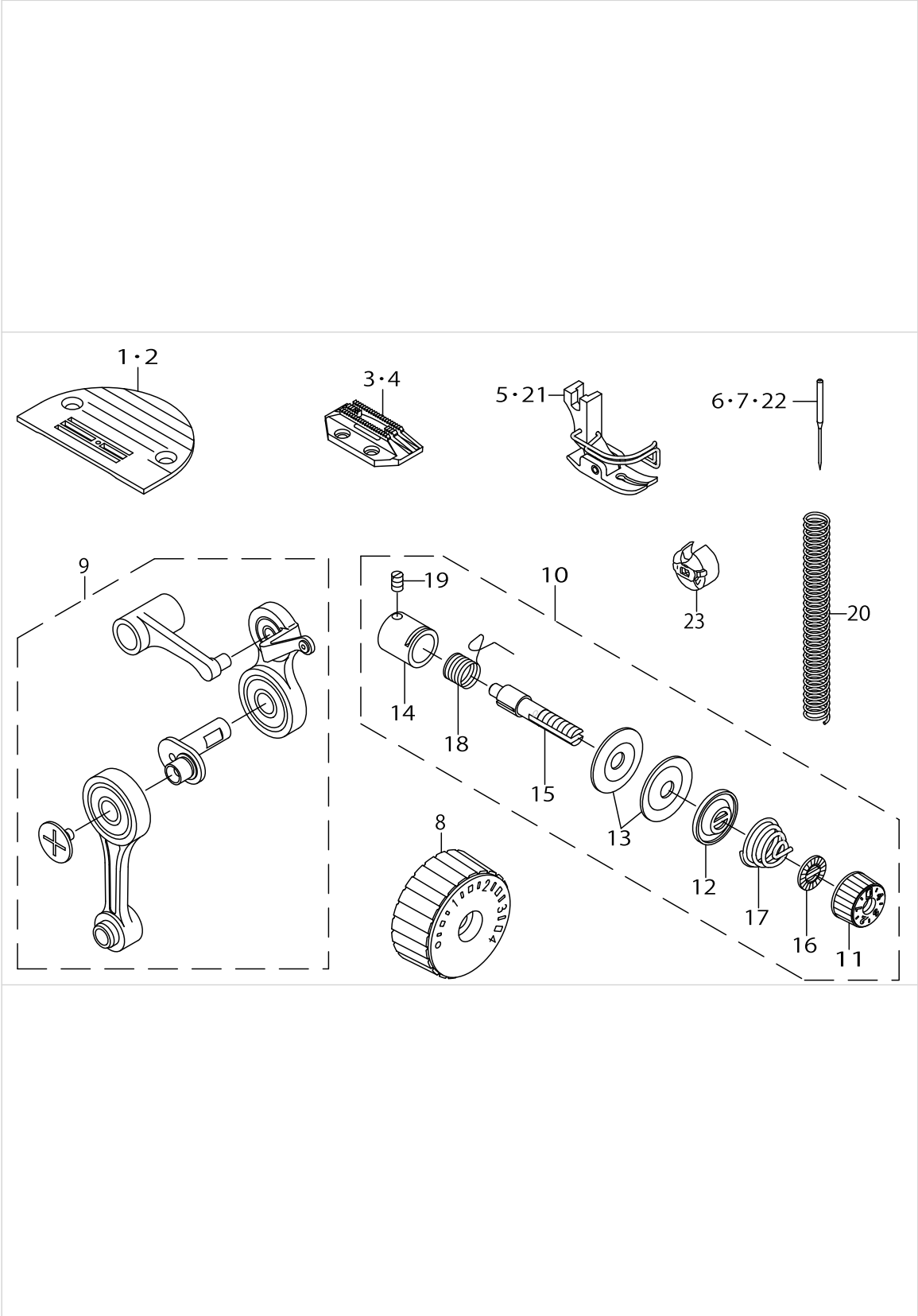
ACCESSORIE PART COMPONENTS

No.	Parts No.	Parts name	Remarks	Level	Cons	Qty
1	40037484	ACCESSORIE BAG ASM.				1
2	22932800	ACCESSORIE BAG		*		1
3	22931604	FRAME SUPPORT BAR		*		1
4	40055591	HEXAGONAL WRENCH KYE		*		1
5	22933105	SCREW DRIVER,MIDDLE		*		1
6	22933204	SCREW DRIVER,SMALL		*		1
7	22958300	NEEDLE THREAD GUIDE PIN		*		1
8	23639701	KNEE LIFTER PRESSER ROD		*		1
9	HX000430000	CLIP		*		1
10	22958052	RUBBER HINGE ASM.				1
11	22926000	RUBBER CUSHION		*		2
12	22958003	FRAME BUBBER CUSHION		*		2
13	22926208	NAIL		*		8
14	22926356	HINGE COMPL.		*		2
15	22926505	WASHER		*		2
16	B9117012000	BOBBIN	VARIOUS NOS.FOR DESTINATIONS			1
17	B9117552A00	BOBBIN	VARIOUS NOS.FOR DESTINATIONS			1
18	B91210120A0	OILER ASM.				1
19	MDFRX1600C0	DEFRIX OIL NO.1(600CC)	VARIOUS NOS.FOR DESTINATIONS		☆	1
20	MML007600CA	JUKI MACHINE OIL 7	VARIOUS NOS.FOR DESTINATIONS		☆	1
21	MDB100B1100	NEEDLE DBX1 #11	VARIOUS NOS.FOR DESTINATIONS			1
22	MDB100B0900	NEEDLE DBX1 #9	VARIOUS NOS.FOR DESTINATIONS			1
23	MDB100B2100	NEEDLE DBX1 #21	VARIOUS NOS.FOR DESTINATIONS			1
24	MC200500750	NEEDLE 134 NM75	VARIOUS NOS.FOR DESTINATIONS			1
25	MC200501300	NEEDLE 134 NM130	VARIOUS NOS.FOR DESTINATIONS			1
26	MC200500650	NEEDLE 134 NM65	VARIOUS NOS.FOR DESTINATIONS			1
27	22933006	SCREW DRIVER,LARGE				1
28	40070090	HEAD COVER				1
29	40064984	DDL-9000A SETUP DOCUMENT				1
30	CM600100201	WEEE INFORMATION SHEET	VARIOUS NOS.FOR DESTINATIONS			1



EXCLUSIVE PART FOR DDL-9000A-D\*,DDL-9000A-M\*

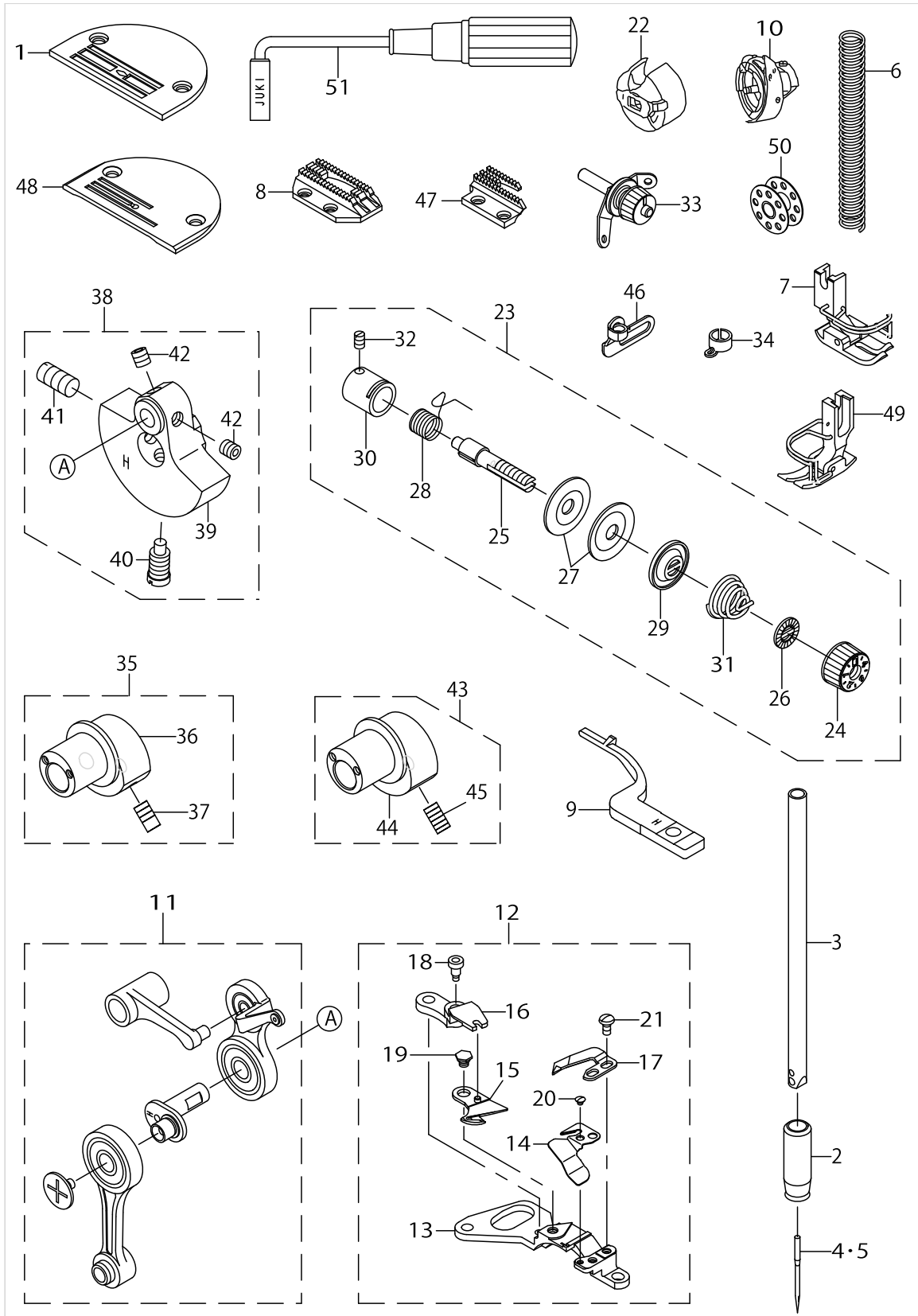
No.	Parts No.	Parts name	Remarks	Level	Cons	Qty
1	40036347	NEEDLE BAR LOWER METAL B				1
2	SM4050501SC	SCREW M5X0.8 L=5				1
3	40037146	FLOATER SIGHT WINDOW D	FOR DDL-9000A-D*			1
4	SL6040892TN	BOLT	FOR DDL-9000A-D*			1
5	22889851	HOOK DRIVING SHAFT BEARING ASM	FOR DDL-9000A-D*			1
6	SS6110420TP	SCREW 11/64-40 L=4.8	FOR DDL-9000A-D*	*		2
7	22890404	RP HOOK C	FOR DDL-9000A-D*JE		☆	1
8	22890206	RP HOOK	FOR DDL-9000A-D*KO,SH		☆	1
9	B9117552A00	BOBBIN			☆	1
10	22896252	BOBBIN CASE ASM.	FOR DDL-9000A-D*		☆	1
11	40050581	JOINT_CABLE_ASM	FOR DDL-9000A-D*			1
12	23540305	FLOATER CASE CAP	FOR DDL-9000A-M*			1
13	23629306	PIPE STOPPER A	FOR DDL-9000A-M*			1
14	40050586	KNIFE UNIT D	FOR DDL-9000A-D*			1
15	SS2060210SP	SCREW 3/32-56 L=2.3		*		1
16	SS4080620TP	SCREW 1/8-44 L=6		*		2
17	11040052	MOVING KNIFE ASM.		*		1
18	40050588	THREAD GUIDE FOR KNIFE D		*	☆	1
19	22947907	KNIFE MOUNTING BASE		*		1
20	11040409	MOVING KNIFE HINGE SCREW		*		1
21	22896005	FORKED BASE FOR KNIFE		*		1
22	22895908	COUNTER KNIFE		*	☆	1
23	SD0460703TP	HINGE SCREW D=4.6 H=7		*		1
24	RO036080200	RUBBER RING	OPTIONAL PARTS			1
25	40006323	JUKI GREASE A TUBE	OPTIONAL PARTS			1
26	22890305	RP HOOK S	FOR DDL-9000A-D*ST			1
27	11079506	FRONT SCREW	OPTIONAL PARTS			1



EXCLUSIVE PART FOR DDL-9000A-\*A

No.	Parts No.	Parts name	Remarks	Level	Cons	Qty
1	11001906	THROAT PLATE K	FOR KO			1
2	B1109012I0B	THROAT PLATE (I)	FOR ST,JE,SH			1
3	B1613012I00	FEED DOG I	FOR ST,JE,SH			1
4	D1613155W00	FEED DOG W	FOR KO			1
5	D1524555DBB	PRESSER FOOT ASM.	FOR ST,JE,KO			1
6	MDB100B0900	NEEDLE DBX1 #9	FOR ST,KO		☆	1
7	MC200500650	NEEDLE 134 NM65	FOR JE		☆	1
8	40050584	FEED DIAL 4				1
9	40037439	THREAD TAKE UP COMP.A				1
10	40037479	THREAD TENSION DISK ASM.A				1
11	23626005	THREAD TENSION NUT		*		1
12	B3132552000	THREAD TENSION DISK PRESSER		*		1
13	B3126012000	THREAD TENSION DISK		*		2
14	40024845	TENSION POST SOCKET ASM		*		1
15	B3115552000	TENSION POST		*		1
16	B3120125000	ROTATING STOPPER		*		1
17	D3129555D00	THREAD TENSION SPRING		*		1
18	D3128555D00	TAKE-UP SPRING		*	☆	1
19	SS8090670SP	SCREW 9/64-40 L= 5.5		*		1
20	11162104	SPRING				1
21	B15240120BA	PRESSER FOOT ASM.	FOR SH			1
22	MDB100B1100	NEEDLE DBX1 #11	FOR SH			1
23	11038759	BOBBIN CASE ASM.				1

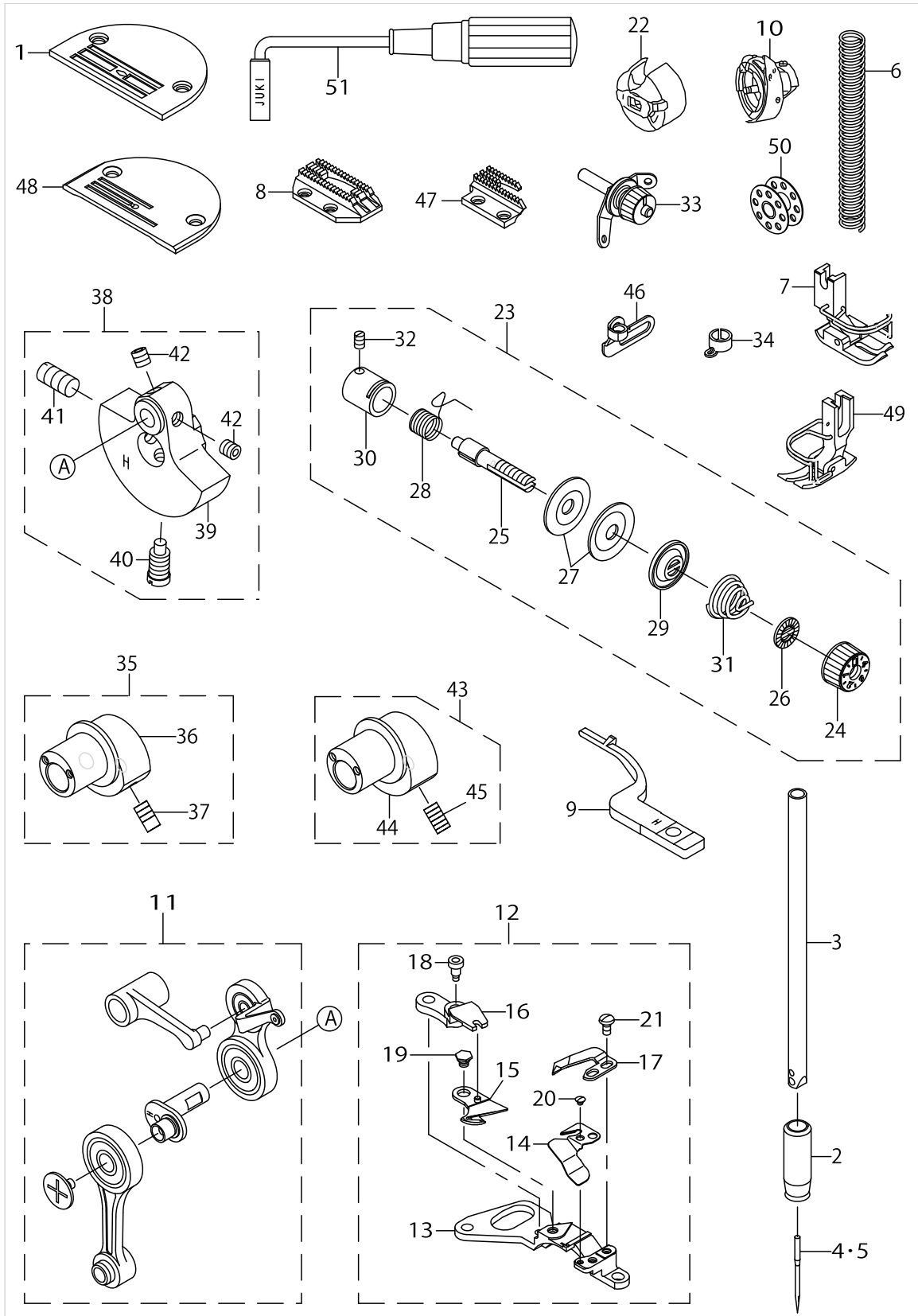
EXCLUSIVE PART FOR DDL-9000A-SH-WB,0B



EXCLUSIVE PART FOR DDL-9000A-SH-WB,0B

No.	Parts No.	Parts name	Remarks	Level	Cons	Qty
1	11400801	THROAT PLATE J	FOR ST,JE,KO			1
2	23645609	NEEDLE BAR METAL,LOWER H				1
3	40061767	NEEDLE BAR H				1
4	MDB100B2100	NEEDLE DBX1 #21	FOR ST,SH,KO			1
5	MC200501300	NEEDLE 134 NM130	FOR JE			1
6	B1505552000A	PRESSER SPRING				1
7	D1524555EBL	PRESSER FOOT ASM.	FOR ST,JE,KO			1
8	11403003	FEED J	FOR ST,JE,KO			1
9	40068999	INNER HOOK HOLDER				1
10	11092251	LUBRICATING HOOK ASM.			☆	1
11	40055604	THREAD TAKE UP COMP.H				1
12	40050587	KNIFE UNIT H				1
13	11095502	KNIFE MOUNT BASE		*		1
14	40044190	THREAD_GUIDE_FOR_KNIFE-H		*	☆	1
15	11409257	MOVING KNIFE J ASM.		*	☆	1
16	40009894	FORKED BASE FOR KNIFE		*		1
17	40050589	FIX KNIFE H		*	☆	1
18	SD0460703TP	HINGE SCREW D=4.6 H=7		*		1
19	SD0500131TP	HINGE SCREW D=5 H=1.25		*		1
20	SS2060210SP	SCREW 3/32-56 L=2.3		*		1
21	SS4080620TP	SCREW 1/8-44 L=6		*		2
22	11038759	BOBBIN CASE ASM.				1
23	40037313	THREAD TENSION DISK ASM H				1
24	23626005	THREAD TENSION NUT		*		1
25	B3115552000	TENSION POST		*		1
26	B3120125000	ROTATING STOPPER		*		1
27	B3126012000	THREAD TENSION DISK		*		2
28	B3128012000	TAKE-UP SPRING		*	☆	1
29	B3132552000	THREAD TENSION DISK PRESSER		*		1
30	40024845	TENSION POST SOCKET ASM		*		1
31	B3114232000	THREAD TENSION SPRING		*		1
32	SS8090670SP	SCREW 9/64-40 L= 5.5		*		1
33	11073954	THREAD TENSION ASM.				1
34	40024124	NEEDLE BAR THREAD GUIDE				1
35	23619059	VERTICAL FEED CAM H ASM.				1
36	23619000	VERTICAL FEED CAM H		*		1
37	SS8151150TP	SCREW 15/64-28 L=10.5		*		2
38	40055058	ASSY COUNTER WEIGHT H				1
39	40053411	COUNTER WEIGHT H		*		1
40	40004171	COUNTER_WEIGHT_SCREW		*		1
41	SM8081652TP	SCREW M8 L=16		*		1
42	SM80606A2TP	L=6SCREW M6 L=6		*		2
43	40069369	VERTICAL FEED CAM ASM. 2.0	OPTIONAL PARTS			1
44	40069370	VERTICAL FEED CAM 2.0		*		1
45	SS8151150TP	SCREW 15/64-28 L=10.5		*		2
46	40063697	ARM THREAD GUIDE A H				1
47	11062601	FEED DOG	FOR SH			1

EXCLUSIVE PART FOR DDL-9000A-SH-WB,0B



EXCLUSIVE PART FOR DDL-9000A-SH-WB,0B

No.	Parts No.	Parts name	Remarks	Level	Cons	Qty
48	11062007	THROAT PLATE, A	FOR SH			1
49	40064839	PRESSER FOOT ASM	FOR SH			1
50	B9117012000	BOBBIN				1
51	J1063000000	WRENCH	OPTIONAL PARTS			1

TABLE & STAND COMPONENTS

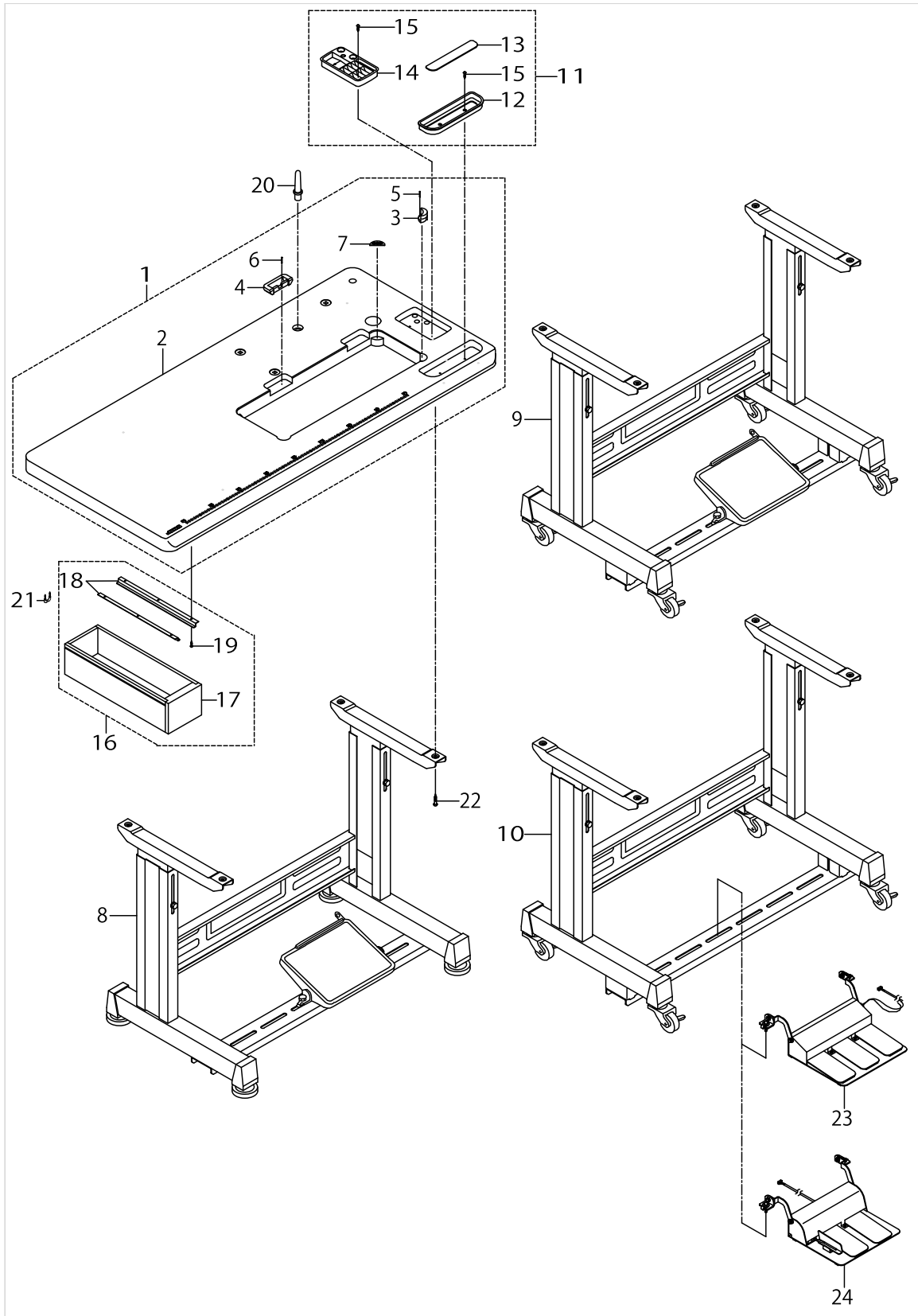
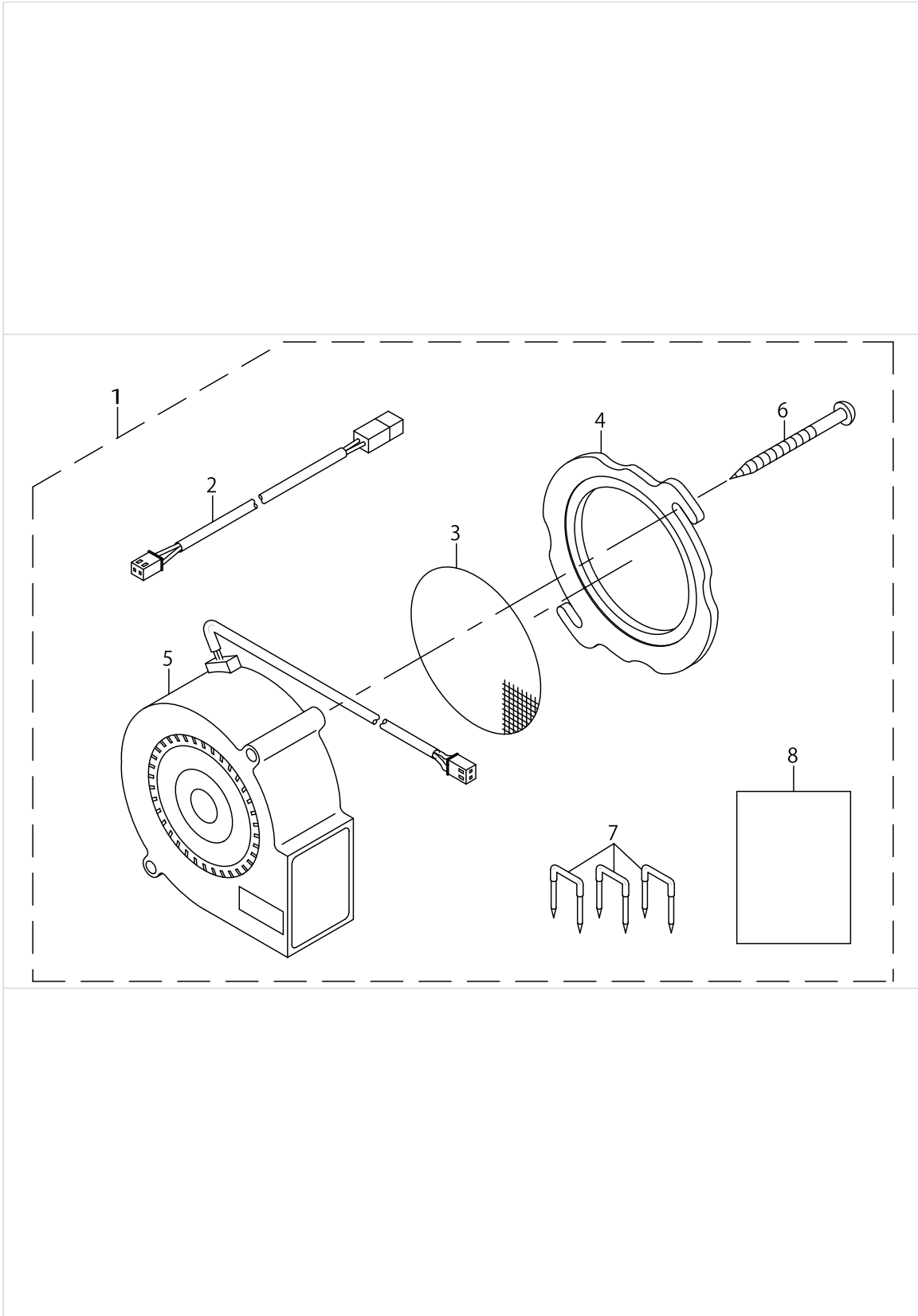


TABLE & STAND COMPONENTS

No.	Parts No.	Parts name	Remarks	Level	Cons	Qty
1	23642259	TABLE ASM.				1
2	23642200	TABLE		*		1
3	11075900	RUBBER SPACER		*		2
4	11075801	RUBBER SPACER		*		2
5	B8210012000	CUSHION SET NAIL		*		4
6	B8210012000	CUSHION SET NAIL		*		4
7	D8226555E00	FRAME RUBBER CUSHION A		*		2
8	11157567	T LEG JUNCTION	FOR JT-D950			1
9	11159365	T STAND JUNCTION	FOR JT-D952			1
10	11159357	T-STAND ASM.	FOR JT-D95J,-D95K			1
11	11155769	SMALL CASTINGS BOX B ASM.				1
12	11156007	CASE		*		1
13	11155801	CASE MAGNET		*		1
14	11155751	CASE ASM. B		*		1
15	SK3382001SC	WOOD SCREW D=3.8 L=20		*		4
16	11155157	DRAWER ASM.				1
17	11155108	DRAWER		*		1
18	11155207	DRAWER SUPPORT		*		2
19	SK3311600SE	WOOD SCREW D=3.1 L=16		*		6
20	11073103	RUBBER CUSHION	EXCEPT AK TYPE			1
21	D8204555D00	DRAWER STOPPER				1
22	SK3513200SC	WOOD SCREW D=5.1 L=32				4
23	GPK700010A0	3-JOINT PEDAL, 70	FOR JT-D95J,-D95K			1
24	GPK710010A0	2-PEDAL ASM., 71	FOR JT-D95J,-D95K			1

SPECIAL ORDER PART



SPECIAL ORDER PART

No.	Parts No.	Parts name	Remarks	Level	Cons	Qty
1	40065571	ELECTRIC FAN HOOK COOLING DEVICE				1
2	40044065	FAN_RELAY_CABLE		*		1
3	40064805	FAN FILTER		*		1
4	40064806	FAN COOLING COVER		*		1
5	40065564	FAN MOTOR ASSY		*		1
6	SK3415001SE	SCREW D=4.1 L=50		*		2
7	MAO11532000	CORD STAPLE		*		3
8	40065572	HOO K COOLING DEVICE INSTRUCTIO		*		1

LIST FOR INFORMATION OF CHANGE (1)

As to the place changed, refer to the corresponding Rev.No.  
 When previous parts(Obsoleted part)and new parts(Added parts)are  
 not interchangeable with each other:  
 In this case,even obsoleted parts(D.)can be ordered with the  
 obsoleted part number,so select the parts with changed dates and  
 place your orders.

変更箇所は、該当Rev.No.版をご参照ください。  
 部品の互換性がない変更の場合は、削除された品番でも、ご注文できます。

40042305  
 No.1457-02 Rev.No.

\*A:Added parts追加部品/D:Obsoleted parts削除部品/E:Erratum訂正

* D	Rev. No.	Page 頁	Ref. No.	Parts No. 品番	* A	Rev. No.	Page 頁	Ref. No.	Parts No. 品番
	01	2	9	SL-6051492-TN		02	2	9	SM-4050855-SP
						02	2	89	CM-6006001-01
						02	2	90	400-65552
						02	2	91	400-69097
						02	2	92	400-69110
						02	2	93	400-37488
						02	2	94	B1109-552-000
D	01	10	18	SM-9040600-SP	A	02	10	18	SM-9040650-TP
D	01	10	20	400-61204	A	02	10	20	400-37017
D	01	10	32	CS-111101E-SH	A	02	10	32	CS-111101C-SH
D	01	10	33	SS-8660330-SP	A	02	10	33	SS-8660610-TP
						02	10	52	400-62651
D	01	10	65	400-61190	A	02	10	65	400-61560
						02	10	66	400-61545
						02	10	67	SM-6061802-TP
						02	10	69	WT-1780011-KP
D	01	12	17	SM-4051455-SP	A	02	12	17	SM-6051400-SP
D	01	12	18	WP-0480856-SP	A	02	12	18	WP-0531000-SD
D	01	12	61	229-16605	A	02	12	61	110-15906
D	01	12	75	400-32052	A	02	12	75	400-68998
D	01	14	12	400-36996	A	02	14	12	400-71740
D	01	14	22	400-40404	A	02	14	22	400-71950
D	01	14	58	SM-4041255-SP	A	02	14	58	SM-4041055-SP
D	01	16	23	236-30304	A	02	16	23	400-75404
						02	18	10	400-64072
						02	18	11	SL-6051092-TN
D	01	19	1	236-33167	A	02	19	1	400-77866
D	01	19	2	236-33159	A	02	19	2	400-77853
D	01	19	16	229-57104	A	02	19	16	400-77852
						02	19	29	400-77851
						02	19	30	SS-4110615-SP
D	01	23	28	229-33303	A	02	22	28	400-70090
D	01	23	29	293-27806	A	02	22	29	400-64984
						02	22	30	CM-6001002-01
D	01	24	24	110-38759					
					A	02	24	21	B1524-012-0BA



## HOW TO MAKE USE OF THIS PARTS LIST

### 1.Explanation of codes

1)"\*"mark.....means this part is changed from the previous parts book.

As to the details of the change, refer to the "List for information of change".

2)"#01".....refer to "Note" explanation at bottom of page.

### 2.Codes on the "Qty" column

- Each numeral indicates the number of parts required.
- "0.1" and "2.5" indicate the length (in meters) of the respective parts.

3.Parentheses mean that the corresponding part is a subpart that constructs an assembly part.

4.Dotted lines on the Figures indicate assembly parts.

5.As to the parts with marks of "☆"(consumable parts) and "◎"(optional parts)on the respective parts, it is recommended to prepare spares.

### 1 ."注記"欄の記号説明

1) "\*"印.....前回のパーツブックに比較して今回変更された部品を意味します。

変更内容は、"変更情報リスト"を参照してください。

2) "#01".....ページ下の"注記"の説明を参照してください。

2.数量欄の数字は、個数を表し、0.1、2.5等の数値は、長さ（単位メートル）を表します。

3.数量欄の（ ）は、組部品を構成している子部品であることを意味します。

4.イラストページの-----枠は、組構成であることを意味します。

5.リストページの"☆"（消耗部品）、"◎"（オプション部品）の印がついた部品は、予備を準備しておくことをお奨めします。

# NUMERICAL INDEX OF PARTS

PART NO	PAGE	REF NO.	PART NO	PAGE	REF NO.	PART NO	PAGE	REF NO.
11001906	44	1·2	22890008	22	73	22930804	36	5
11015906	22	61	22890206	42	7·8·26	22930903	36	4
11028008	4	85·86	22890305	42	7·8·26	22931000	36	3
11038650	22	68~70	22890404	42	7·8·26	22931109	36	2
11038759	44	23	22891204	8	40	22931208	36	15
11038759	46	22	22895908	42	22	22931307	36	11
11040052	24	3	22896005	42	21	22931406	36	8
11040052	42	17	22896252	42	10	22931604	40	3
11040409	24	4	22901201	2	14·15	22932404	38	15
11040409	42	20	22901250	2	12·13	22932453	38	14
11042801	26	52	22901300	2	16·17	22932800	40	2
11042850	26	50	22901805	4	81	22933006	40	27
11043304	24	41	22902506	2	30	22933105	40	5
11062007	48	48	22902704	2	14·15	22933204	40	6
11062601	46	47	22902753	2	12·13	22934202	38	24
11072204	6	25	22904106	20	23	22934251	38	23
11073103	50	20	22904155	20	22	22934301	38	25
11073954	46	33	22906309	8	47	22934400	38	26
11075801	50	4	22906408	8	30	22934509	38	27
11075900	50	3	22906457	8	29	22934608	38	28
11079506	42	27	22907406	12	15	22944508	2	21
11092251	46	10	22907802	12	22	22944508	12	34
11095502	46	13	22908008	12	8	22945414	4	62
11110301	34	6	22908552	12	24	22945463	4	61
11141355	22	68~70	22908909	12	29	22945505	4	64
11155108	50	17	22911002	20	13	22945604	4	63
11155157	50	16	22911101	20	6	22945703	4	65
11155207	50	18	22912000	18	58	22945802	4	66
11155751	50	14	22912109	18	57	22947907	24	2
11155769	50	11	22916506	22	60	22947907	42	19
11155801	50	13	22916555	22	59	22948202	24	5
11156007	50	12	22919203	24	18	22949002	24	19
11157567	50	8	22920300	12	40	22949101	24	20
11159357	50	10	22920409	12	41	22949200	24	21
11159365	50	9	22920607	4	60	22950000	24	24
11162104	44	20	22925101	28	24	22950703	24	32
11400801	46	1	22926000	40	11	22950950	26	53
11403003	46	8	22926208	40	13	22952501	18	50
11409257	46	15	22926356	40	14	22955504	34	5
13170105	28	6	22926505	40	15	22955900	34	7
13171004	28	5	22930309	36	14	22956007	34	8
22886907	8	27·28	22930358	36	1	22956106	34	9
22887004	8	27·28	22930408	36	10	22956205	34	10
22888002	22	83	22930507	36	9	22956304	34	11
22889851	42	5	22930705	36	7	22956809	34	12

# NUMERICAL INDEX OF PARTS

PART NO	PAGE	REF NO.	PART NO	PAGE	REF NO.	PART NO	PAGE	REF NO.
22956908	34	13	23616204	20	20	23631708	32	30
22957005	34	14	23616600	20	33	23631757	32	15
22957203	34	15	23618101	20	47	23631807	32	31
22958003	40	12	23618309	22	52	23631906	32	32
22958052	40	10	23618606	20	45	23632003	32	23
22958300	40	7	23618705	22	78	23632102	32	26
22962906	32	14	23618804	22	79	23632250	32	27
23533904	18	54	23619000	46	36	23632359	32	17
23534506	18	59	23619059	46	35	23632607	32	33
23540305	42	12	23620008	22	56	23632656	32	25
23600505	2	4	23620156	22	57	23633209	34	3
23600703	2	6	23620206	22	58	23633357	34	4
23601305	4	84	23620354	20	34	23638109	4	73
23604010	8	1	23620404	22	74	23638208	4	74
23604705	28	47	23620503	22	54	23638307	4	75
23605207	8	10	23620701	22	62~65	23638406	4	76
23605256	8	7	23620800	22	62~65	23638554	4	77
23607302	8	24	23620909	22	62~65	23639008	38	2
23608003	8	25	23621006	22	65	23639107	38	4
23608102	8	26	23621303	22	68~70	23639156	38	3
23609001	12	1	23623903	26	63	23639206	38	7
23609308	12	12	23624505	26	48	23639305	38	8
23609357	12	5	23624554	24	47	23639404	38	9
23609456	12	6	23626005	4	50	23639503	38	10
23609605	12	7	23626005	44	11	23639602	38	11
23609704	12	14	23626005	46	24	23639701	40	8
23609803	12	13	23626104	4	69	23640006	2	47·93
23610207	12	16	23626203	8	33	23642200	50	2
23610306	12	17	23626351	12	42	23642259	50	1
23610504	14	48	23626807	12	43	23645609	46	2
23610652	14	49	23628803	28	40	26260109	6	2
23610702	14	51	23628902	28	36	26260208	6	3
23611106	12	47	23629207	28	8	26260307	6	4
23612104	16	5	23629256	28	7	26260406	6	5
23612609	16	38	23629306	28	10	26260505	6	6
23612716	16	40	23629306	42	13	26260604	6	7
23612807	16	11	23629405	28	11	26260802	6	8
23613508	16	30	23629702	28	9	26261008	6	9
23613706	16	22	23629900	4	82	26261206	6	10
23613805	18	64	23630007	16	29	26261305	6	11
23613904	16	24	23630007	28	19	26261503	6	12
23613953	16	23	23630106	28	22	26261602	6	13
23614308	16	27	23630403	28	34	26261701	6	14
23614506	20	26	23630502	28	35	40000344	28	13
23616006	20	2	23631104	32	3	40000391	20	37

# NUMERICAL INDEX OF PARTS

PART NO	PAGE	REF NO.	PART NO	PAGE	REF NO.	PART NO	PAGE	REF NO.
40000392	20	38	40030786	22	84	40038328	28	37
40004171	8	4	40030790	20	44	40039078	12	3
40004171	46	40	40031608	22	81	40039708	12	38
40006323	42	25	40033393	16	3	40039946	8	22
40009894	46	16	40034246	28	3	40040202	6	24
40010434	8	46	40035589	2	37	40040203	6	26
40011144	6	15	40035855	8	38	40040264	12	2
40012032	16	6	40036343	16	35	40040370	16	8
40013595	28	30	40036344	16	34	40040407	24	23
40014837	6	16	40036347	42	1	40040499	16	36
40020454	8	18	40036433	18	61	40040508	24	40
40020455	8	19	40036706	12	32	40040518	32	1
40022407	2	88	40036995	24	11	40040519	32	2
40022407	4	88	40036997	24	36	40040545	24	38
40023021	6	1	40036998	24	34	40041161	2	2
40023022	6	17	40037002	4	71	40041393	24	16
40024124	46	34	40037003	8	2	40041470	16	21
40024644	28	46	40037005	20	15	40041473	2	33
40024843	4	49	40037006	8	16	40042048	28	15
40024845	4	57	40037007	8	15	40042079	20	10
40024845	44	14	40037008	6	30	40042642	28	32
40024845	46	30	40037017	16	20	40044065	52	2
40025729	8	3	40037018	4	72	40044189	24	6
40026272	16	2	40037129	28	31	40044190	46	14
40026274	16	16	40037141	12	19	40044857	8	9
40026275	16	28	40037144	12	20	40050219	16	47
40026277	20	5	40037145	30	48	40050220	18	48
40026278	20	31	40037146	42	3	40050221	16	44
40026281	20	16	40037147	28	33	40050265	10	48
40026282	20	36	40037148	28	41	40050581	42	11
40026286	28	2	40037158	2	1	40050582	12	39
40026287	20	41	40037166	28	12	40050583	12	21
40026288	20	43	40037180	28	1	40050584	44	8
40026290	32	12	40037188	16	1	40050585	24	1
40027156	32	4	40037191	16	15	40050586	42	14
40027581	2	34	40037192	20	1	40050587	46	12
40027582	16	26	40037313	46	23	40050588	42	18
40028112	16	31	40037359	12	18	40050589	46	17
40029398	26	62	40037365	20	4	40051473	8	12
40030333	24	15	40037370	8	37	40051474	8	13
40030335	24	14	40037439	44	9	40052819	2	3
40030338	24	13	40037479	44	10	40052933	2	45
40030339	24	33	40037484	40	1	40053172	18	55
40030342	26	61	40037488	4	47-93	40053340	18	68
40030343	24	17	40037502	28	38	40053411	46	39

# NUMERICAL INDEX OF PARTS

PART NO	PAGE	REF NO.	PART NO	PAGE	REF NO.	PART NO	PAGE	REF NO.
40053450	16	43	40077851	34	29	B91210120A0	40	18
40053465	16	13	40077852	34	16	CM300200001	2	23
40053720	20	40	40077853	34	2	CM300200003	2	25
40055058	46	38	40077866	34	1	CM301300001	2	29
40055569	18	53	B1109012I0B	4	85·86	CM600100101	4	48
40055585	16	39	B1109012I0B	44	1·2	CM600100201	40	30
40055591	40	4	B1109552000	4	94	CM600600101	4	89
40055604	46	11	B1116210D00	38	12	CQ200000001	28	20
40056502	16	12	B1414555000	8	32	CS111101CSH	16	32
40056622	12	46	B1505552000A	46	6	D1524555DBB	44	5·21
40056706	24	39	B1521555000	12	23	D1524555EBL	46	7
40056721	16	45	B15240120BA	12	26	D1613155W00	44	3·4
40058504	20	9	B15240120BA	44	5·21	D1837555BAAA	22	67
40060448	20	32	B1613012I00	20	25	D2406555D0H	24	7
40060865	22	77	B1613012I00	44	3·4	D2468555B00	32	5
40060868	20	14	B3114232000	46	31	D3128555D00	44	18
40060869	16	19	B3115552000	4	51	D3129555D00	44	17
40061215	24	35	B3115552000	44	15	D5119206K0K	14	50
40061246	20	8	B3115552000	46	25	D8204555D00	50	21
40061545	18	66	B3118552F00	2	44	D8226555E00	50	7
40061560	18	65	B3120125000	4	52	EA9500B0100	4	78
40061562	2	8	B3120125000	6	29	EA9500B0100	10	50
40061767	46	3	B3120125000	44	16	EA9500B0100	32	28
40062321	38	1	B3120125000	46	26	GPK700010A0	50	23
40062651	18	52	B3126012000	4	53	GPK710010A0	50	24
40063697	46	46	B3126012000	6	27	HA000590000	34	17
40064072	32	10	B3126012000	44	13	HK03464000B	24	42
40064805	52	3	B3126012000	46	27	HK03464000B	32	6
40064806	52	4	B3128012000	4	54	HK03464000B	34	18
40064839	48	49	B3128012000	46	28	HW200390000	34	19
40064984	40	29	B3129012A00	4	55	HW500070000	34	20
40065552	4	90	B3129012A00	6	28	HX000430000	40	9
40065564	52	5	B3132552000	4	56	J1063000000	48	51
40065571	52	1	B3132552000	44	12	MAO11532000	52	7
40065572	52	8	B3132552000	46	29	MC200500650	40	21~26
40068998	22	75	B412352200A	20	28~30	MC200500650	44	6·7·22
40068999	46	9	B412352200B	20	28~30	MC200500750	8	34·35
40069097	4	91	B412352200C	20	28~30	MC200500750	40	21~26
40069110	4	92	B8210012000	50	6	MC200501300	40	21~26
40069369	46	43	B9117012000	22	71	MC200501300	46	4·5
40069370	46	44	B9117012000	40	16	MDB100B0900	40	21~26
40070090	40	28	B9117012000	48	50	MDB100B0900	44	6·7·22
40071740	24	12	B9117552A00	22	72	MDB100B1100	8	34·35
40071950	24	22	B9117552A00	40	17	MDB100B1100	40	21~26
40075404	28	23	B9117552A00	42	9	MDB100B1100	44	6·7·22

# NUMERICAL INDEX OF PARTS

PART NO	PAGE	REF NO.	PART NO	PAGE	REF NO.	PART NO	PAGE	REF NO.
MDB100B2100	40	21~26	SB30700020C	8	41~45	SM4050501SC	42	2
MDB100B2100	46	4·5	SB30700020D	8	41~45	SM4050655SP	4	80
MDFRX1600C0	40	19·20	SB32000060A	22	48~50	SM4050655SP	12	35
MML007600CA	40	19·20	SB32000060B	22	48~50	SM4050855SP	2	32
NM6040000SN	24	43	SB32000060C	22	48~50	SM4050855SP	20	19
NM6050001SE	36	17	SD0460703TP	24	8	SM4050855SP	32	8
NM6060001SE	38	5	SD0460703TP	42	23	SM4051055SP	2	31
NM6060003SE	12	31	SD0460703TP	46	18	SM4051055SP	6	33
NM6160511SE	36	18	SD0500131TP	46	19	SM4051055SP	22	76
NS6090310SP	34	21	SD0600329TP	26	55	SM4051055SP	32	24
NS6110310SP	34	22	SD0630275SP	26	56	SM4051055SP	34	31
NS6110350SP	32	34	SD0641456TP	26	57	SM4051405SE	36	12
NS6150310SP	24	25	SD0650321TP	34	25	SM5040655SN	4	68
NS6150310SP	38	17	SD0720331SP	38	20	SM5040655SN	6	20
NS6150810SP	24	26	SD0720336SP	12	30	SM5040655SN	28	29
NS6620310SP	12	44	SD1001506TP	32	13	SM6040602TP	12	9
NS6660410SH	24	44	SK3311600SE	50	19	SM6051400SP	12	4
NS6660430SP	24	45	SK3382001SC	50	15	SM6051400SP	20	17
RC0560711KP	6	18	SK3415001SE	52	6	SM6051602TP	16	17
RE0250000K0	34	23	SK3513200SC	50	22	SM6051850TP	18	51
RE0400000K0	6	19	SL4030631SC	34	26	SM6061610SC	36	6
RE0400000K0	18	63	SL4030641SE	34	27	SM6061802TP	18	67
RE0400000K0	24	27	SL6040892TN	28	45	SM80404A2TP	16	4
RE0500000K0	12	45	SL6040892TN	42	4	SM8040802TP	6	21
RE0500000K0	16	37	SL6051092TN	32	11	SM8050502TP	6	22
RE0500000K0	34	24	SL6051492TN	4	87	SM8051610SP	8	20
RE0600000K0	24	28	SL6051492TN	12	37	SM80606A2TP	8	6
RE1000000K0	38	19	SL6051492TN	28	43	SM80606A2TP	46	42
RE1200000K0	32	7	SL6052592TN	2	26	SM8060812TP	22	82
RO036080200	42	24	SL6052592TN	10	49	SM80608A2TP	2	70
RO037180100	12	25	SL6053592TN	14	52	SM80608A2TP	4	70
RO037180100	28	39	SL6061292TN	2	35	SM80608A2TP	8	39
RO048190100	28	44	SL6061292TN	26	60	SM80608A2TP	16	42
RO068190100	28	16	SL6061292TN	28	27	SM8063012TR	38	6
RO080150200	4	83	SL6061292TN	32	35	SM8081652TP	8	5
RO098240100	28	25	SM0051001SC	6	32	SM8081652TP	46	41
RO172180100	28	26	SM1051052TN	18	56	SM9040650TP	16	18
RO195240100	28	4	SM2040955TP	2	28	SM9061203SE	38	29
SB117000400	22	51	SM4021201SC	4	79	SM9061853SR	38	22
SB120000800	8	21	SM4040655SP	2	36	SM9062053SR	38	16
SB120001000	22	80	SM4040655SP	12	36	SQ2050453MZ	28	14
SB120001300	8	8	SM4040655SP	18	49	SS2060210SP	24	9
SB307000200	8	41~45	SM4040655SP	20	42	SS2060210SP	42	15
SB30700020A	8	41~45	SM4040655SP	24	29	SS2060210SP	46	20
SB30700020B	8	41~45	SM4041055SP	26	58	SS4080620TP	20	27

NUMERICAL INDEX OF PARTS

PART NO	PAGE	REF NO.	PART NO	PAGE	REF NO.
SS4080620TP	24	10	WP0621016SH	24	31
SS4080620TP	42	16	WP0650876SD	38	13
SS4080620TP	46	21	WP1612616SE	36	19
SS4110615SP	34	30	WP1703001SC	32	9
SS6060210SP	2	18	WP1751616SD	18	60
SS6090510TP	24	37	WS0510002KN	36	16
SS6090540SP	34	28	WS1643202KR	36	20
SS6090620TP	20	12	WT1780011KP	18	69
SS6090670TP	8	31			
SS6090670TP	20	53			
SS6090670TP	22	53			
SS6110420TP	42	6			
SS6110610TP	4	59			
SS6110650TP	20	35			
SS6110710TP	26	49			
SS6121610SP	20	11			
SS6121860SP	16	62			
SS6121860SP	18	62			
SS6660610TP	26	51			
SS7080510TP	8	36			
SS7090610SP	24	30			
SS7091110TP	12	27			
SS7110740TP	32	29			
SS8090670SP	4	58			
SS8090670SP	44	19			
SS8090670SP	46	32			
SS8110520TP	26	54			
SS8150822TP	20	3			
SS8151150TP	20	39			
SS8151150TP	46	45			
SS8660610TP	16	33			
SS8660610TP	20	24			
SS8660612TP	16	46			
SS8661012TP	16	14			
SS8661012TP	20	66			
SS8661012TP	22	66			
TA0850604R0	2	38			
TA1250406R0	2	43			
TA1270502R0	2	42			
TA1470702R0	2	24			
TA1470704R0	2	41			
WP0430800SC	24	46			
WP0450826SC	6	23			
WP0531000SD	20	18			
WP0621016SD	12	33			