

# JUKI®

No.0014-07

1981・1

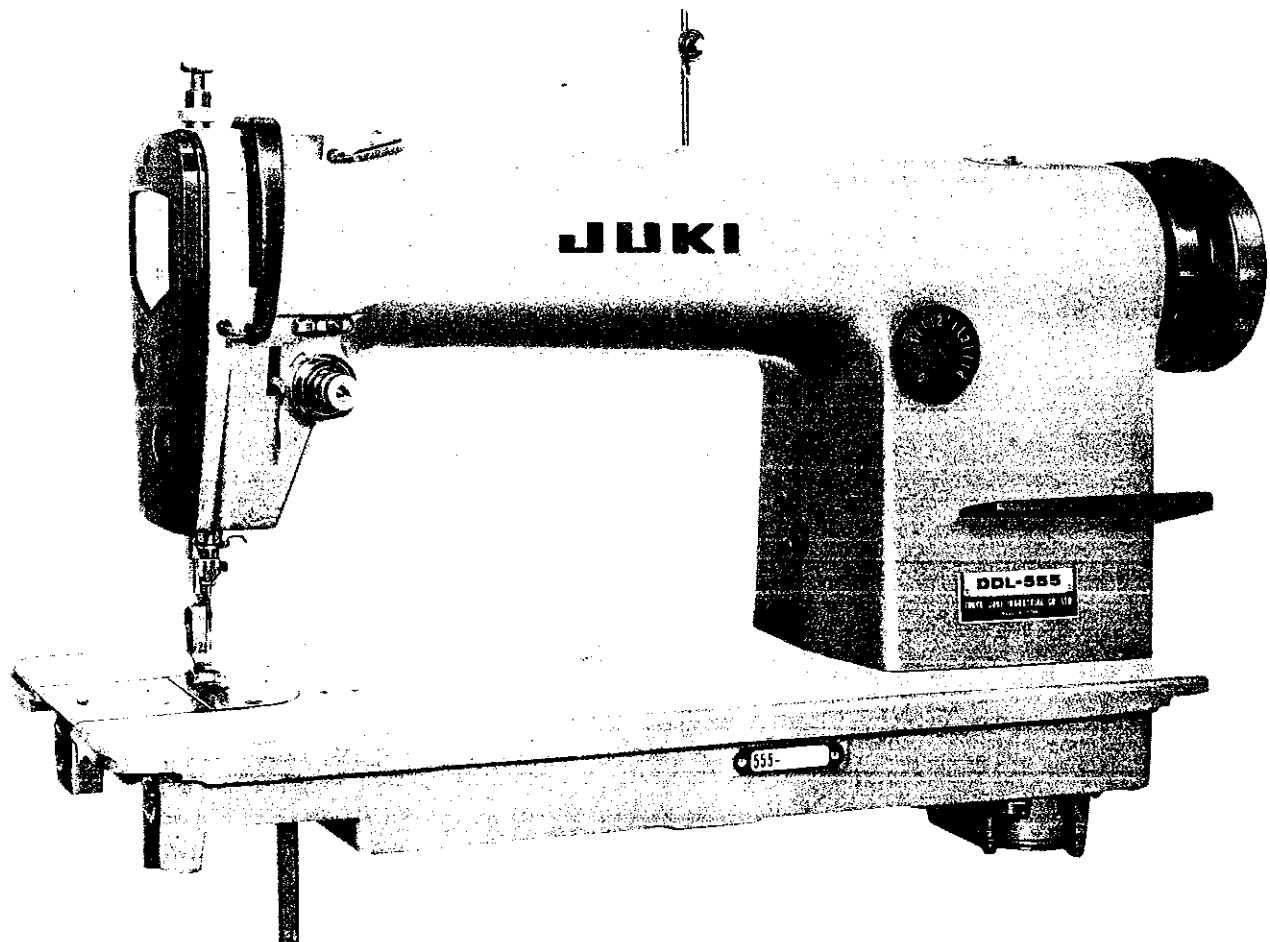
BE555SOPJA

model **DDL-555** サブクラス  
& SUBCLASSES

高速一本針本縫ミシン

High Speed Single Needle Lockstitch  
Industrial Sewing Machine

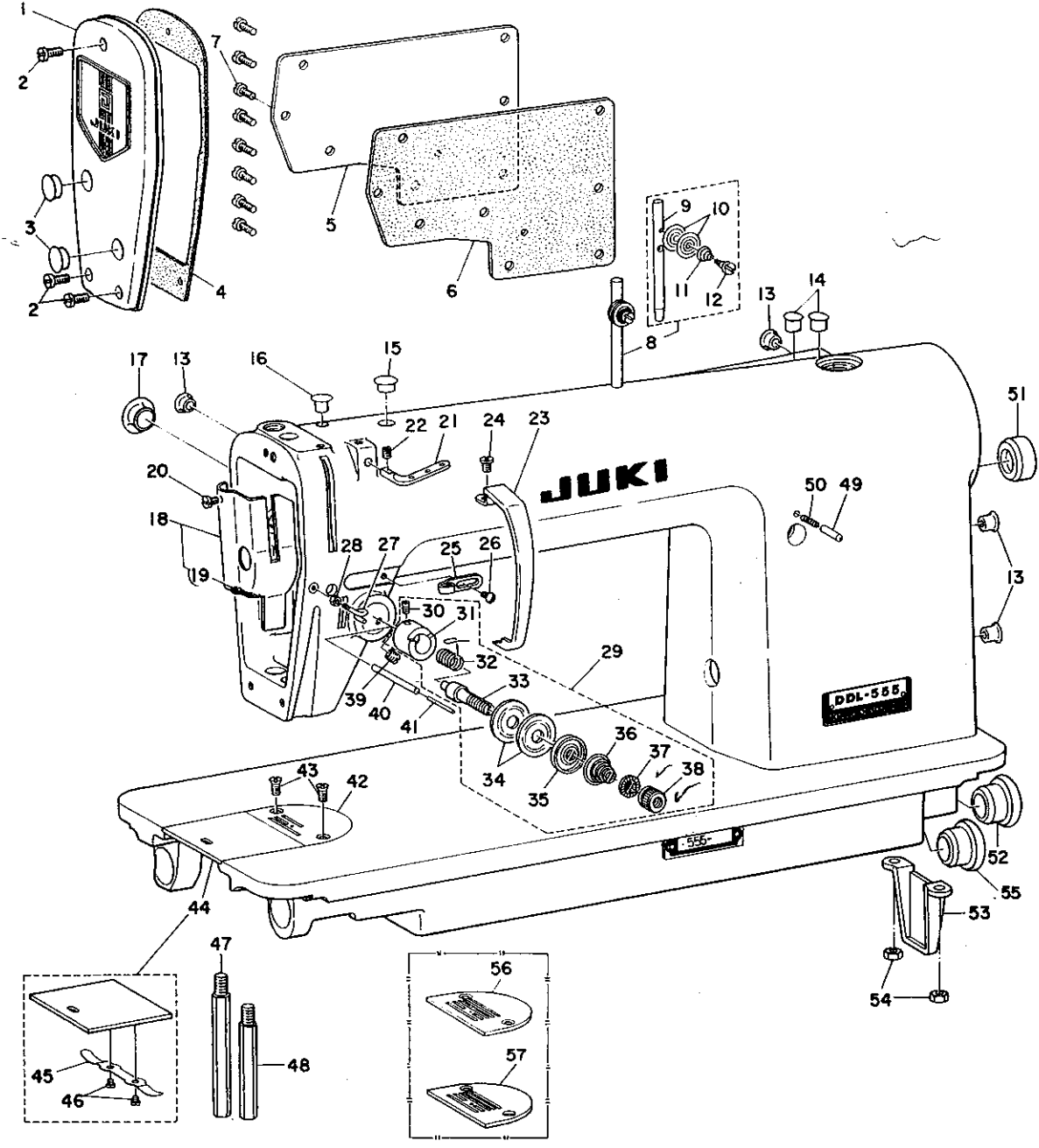
## PARTS BOOK



1. FRAME & MISCELLANEOUS COVER COMPONENTS

頭部・外装関係

1.



Ref. No.
1
2
3
4
5
6
7
8
9
10
11
12
13
14
15
16
17
18
19
20
21
22
23
24
25
26
27
28
29
30
31
32
33
34
35
36
37
38
39
40
41
42
43
44
45
46
47
48
49
50
51
52
53
54
55
56
57

Ref. No.	Note	Part No.	Description	E.C.	Amt. Req.
	注記	品番		変更年月	数量
1		B1121-552-0A0	Face plate asm.		1
2		SS-7111120-SP	Screw 11/64-40 L=10.5		3
3		B1179-552-000	Rubber plug	D.10/79	—
		TA-1250406-R0	Rubber plug	A.10/79	2
4		B1122-552-000	Gasket		1
5		B1118-522-000	Side plate		1
6		B1119-522-000	Gasket		1
7		SS-7110910-SP	Screw 11/64-40 L=8.5		8
8	♦01	B1113-155-0A0	Needle thread guide pin asm.		1
9	♦01	B1113-155-000	Needle thread guide pin		(1)
10	♦01	B3148-123-000	Tension disc		(2)
11	♦01	B3149-123-A00	Spring		(1)
12	♦01	SD-0380552-SL	Stud D=3.8 H=5.5		(1)
13		B1117-552-000	Rubber plug	D.10/79	—
		TA-0800704-R0	Rubber plug	A.10/79	4
14		B1186-552-000	Rubber plug	D.10/79	—
15		B1187-552-000	Rubber plug	D.10/79	—
		TA-1050504-R0	Rubber plug	A.10/79	1
16		B1117-552-000	Rubber plug	D.10/79	—
		TA-0800704-R0	Rubber plug	A.10/79	1
17		B1164-012-000	Counterweight screw hole plug	D.10/79	—
		TA-1250705-R0	Rubber plug	A.10/79	1
18		B1188-552-0A0	Arm oil shield asm.		1
19		CQ-2020000-00	Oil wick		(0.1)
20	♦01	SS-6080410-SP	Screw 1/8=44 L=4.0		1
21		B1128-522-000	Three-hole thread eyelet		1
22		SS-8110510-SP	Screw 11/64-40 L=5.0		1
23		B1123-552-000-A	Thread take-up lever cover		1
24		SS-7110510-SP	Screw 11/64-40 L=5.0		1
25	♦01	<del>B1126-552-000</del>	Frame thread guide (A)		1
26		<del>SS-5090610-SP</del>	Screw 9/64-40 L=3.5		1
27		B3114-761-000	Frame thread guide (B)		1
28		NS-6060350-SP	Nut 3/32-56		1
29		B3111-552-0A0	Tension controller asm.		1
30		SS-8090670-SP	Screw 9/64-40 L=5.5		(1)
31	♦01	B3111-552-800	Thread tension post socket		(1)
32	♦01	B3128-012-000	Take-up spring		(1)
33		B3115-552-000	Thread tension post		(1)
34		B3126-012-000	Thread tension disc		(2)
35		B3132-552-000	Presser		(1)
36	♦01	B3129-012-A00	Thread tension spring		(1)
37		B3120-125-000	Thread disc rotation stopper		(1)
38		B3116-125-000	Thread tension nut		(1)
39		SS-8150710-SP	Clamp screw 15/64-28 L=7.0		1
40		B3127-127-000	Tension release auxiliary pin		1
41		B3118-552-C00	Tension release pin		1
42	♦01	B1109-012-A00	Throat plate (A)		1
43		SS-2110920-TP	Screw 11/64-40 L=8.5		2
44		B1110-012-0A0	Bed slide asm.		1
45		B1111-012-000	Spring		(1)
46		SS-6060210-SP	Screw 3/32-56 L=1.9		(2)
47		B1104-122-000	Bed screw stud (A)		1
48		B1105-122-000	Bed screw stud (B)		1
49		B1147-555-000	Feed regulator pin		1
50		B1148-555-000	Spring		1
51		B1189-415-000	Rubber plug	D.10/79	—
		TA-2101002-R0	Rubber plug	A.10/79	1
52		B1166-552-000-A	Hook shaft rubber plug	D.10/79	—
		TA-2351004-R0	Rubber plug	A.10/79	1
53		B1106-122-000	Bed support		1
54		NS-6150310-SP	Nut 15/64-28		2
55		B1166-552-000-A	Rubber plug	D.10/79	—
		TA-2351004-R0	Rubber plug	A.10/79	1
56	♦01	B1109-555-G00	Throat plate (G)	A.7/75	1
57	♦01	B1109-555-J00	Throat plate (J)	A.8/77	1

Note (注記) ♦01 ..... When these parts are to be used for subclass machines of DDL-555, please refer to the exclusive subclass list of DDL-555. (Page 13)

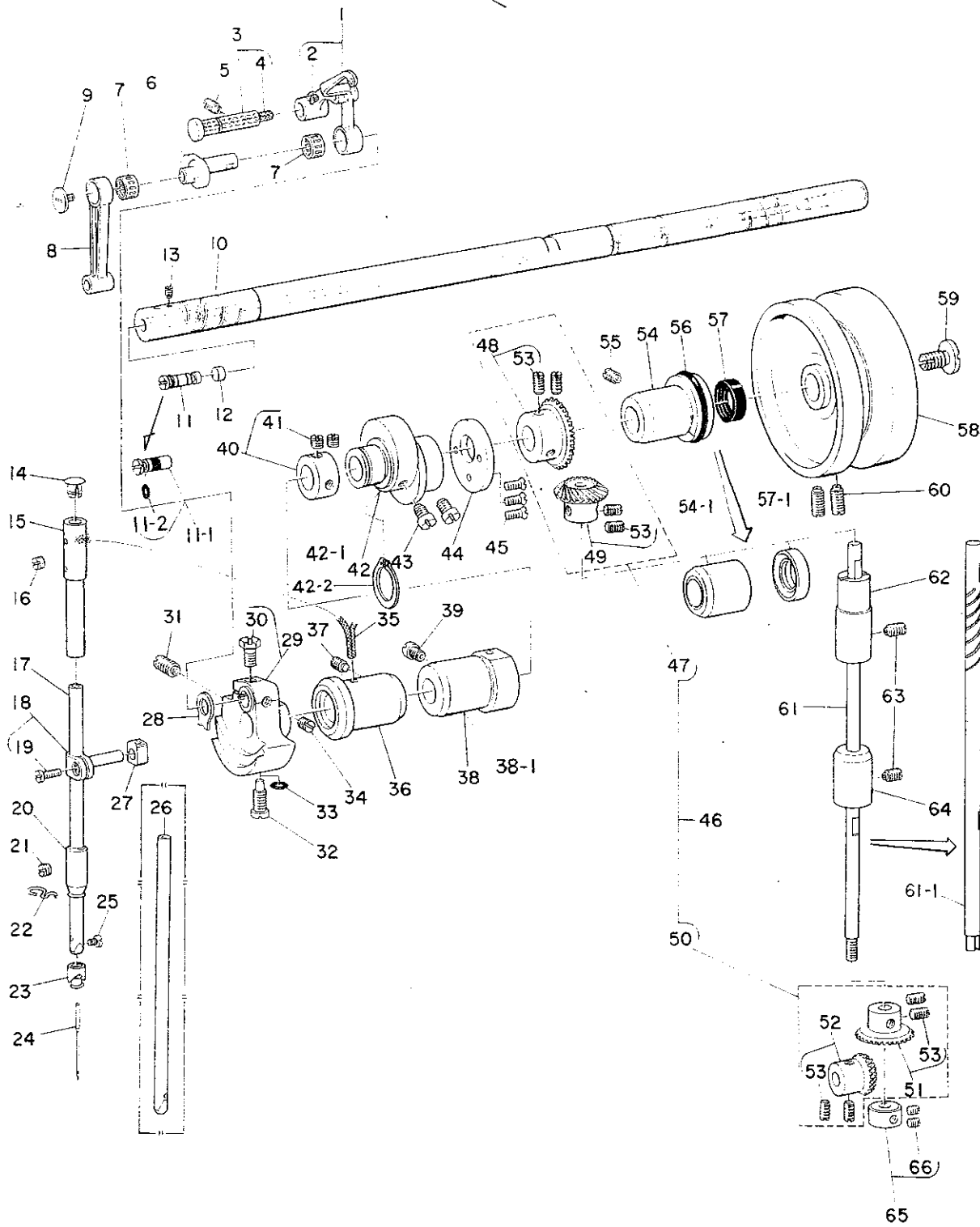
♦01 ..... Special order part

特別注文部品

サブクラスミシン使用の場合、サブクラス専用部品一覧表を参照してください。(13ページ)

2. MAIN SHAFT & UPRIGHT SHAFT & NEEDLE BAR COMPONENTS

上軸・立軸・針棒関係

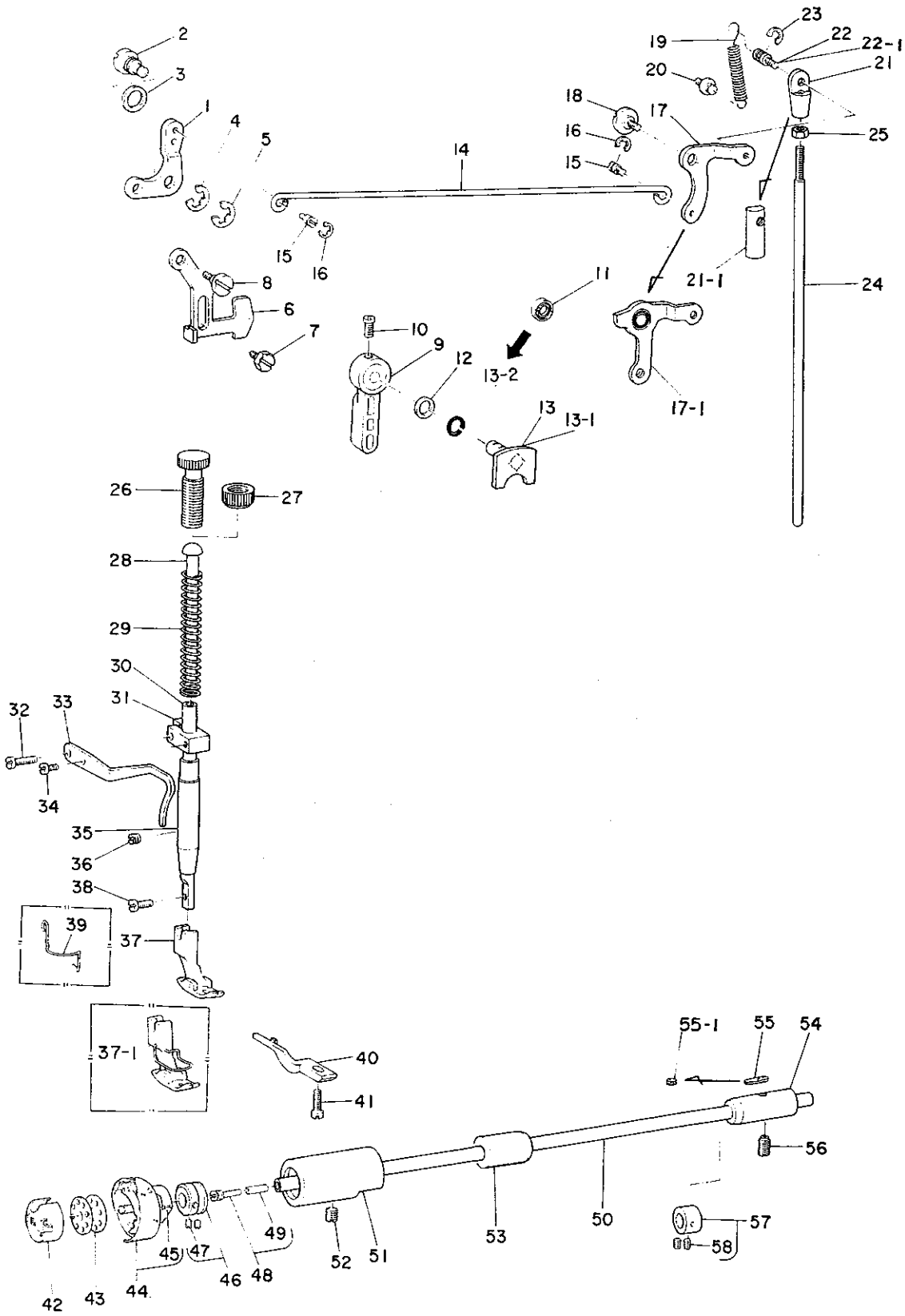


Ref. No.	Note	Part No.	Description	E.C.	品名	Amt. Req.
	注記	品番		変更年月		数量
1		B1901-552-0C0	Thread take-up lever asm.		リンク天ヒン(組)	1
2		CQ-2000000-00	Oil wick		リンク天ヒン油心	(0.1)
3		B1904-552-0A0	Thread take-up crank shaft stud asm.		天ヒンクランク軸(組)	1
4		CQ-2020000-00	Oil wick		天ヒンクランク軸油心	(0.2)
5		SS-8151150-SP	Screw 15/64-28 L=10.5		天ヒンクランク軸止メネジ	1
6	●01	B1209-552-000	Needle crank		針棒クランク	1
7		B1905-541-800	Needle shaft bushing		天ヒンニードル軸受	2
8		B1408-552-000	Needle bar crank rod		針棒クランクロッド	1
9		B1903-552-000	Thread take-up crank screw, left		天ヒンクランク左ネジ	1
10		B1201-555-000	Main shaft		上軸	1
11		B1213-552-0A0	Crank oil adjusting pin asm.	D.2/80	クランク油蓋調節ピン	-
11-1		B1213-552-0A0-A	Oil adjusting pin asm.	A.2/80	クランク油蓋調節ピン(組)	1
11-2		RO-0291801-00	Rubber ring	A.2/80	Oリング	1
12		B1226-552-000	Oil regulating felt		クランク油蓋制限フェルト	1
13		B1224-552-000	Screw	D.2/80	クランク油蓋調節ピン止メネジ	-
14		B1405-012-000	Rubber plug		針棒上メタルフタ	1
15		B1402-552-000-A	Needle bar bushing, upper		針棒上メタル	1
16		SS-8150310-SP	Screw 15/64-28 L=3.4		針棒上メタル止メネジ	1
17	●01	B1401-552-A00	Needle bar (A)		針棒(A)	1
18		B1411-552-0A0	Needle bar connection asm.		針棒抱キ(組)	1
19		SS-6090670-TP	Clamp screw 9/64-40 L=6.0		針棒抱キ棒メネジ	(1)
20	●01	B1403-155-000	Needle bar bushing, lower		針棒下メタル	1
21		SS-8150310-SP	Screw 15/64-28 L=3.4	D.4/78	針棒下メタル止メネジ	-
22	●01	B1419-155-000	Needle bar thread guide		針棒糸案内	1
23	●01	B1418-541-000	Needle bar thread guide		針棒糸掛け	1
24	●01	MDB-100B1400	Needle (DBx1, #14)		針 (DBx1 #14)	1
25		SS-7080510-SP	Screw 1/8-44 L=3.4	D.6/80	SS-7080510-TP	-
		SS-7080510-TP	Screw 1/8-44 L=3.4	A.6/80	針止メネジ	1
26	●01	B1401-552-B00	Needle bar (B)		針棒(B)	1
27		B1414-232-000	Needle bar guide block		針棒抱キ案内コロ	1
28		B1212-552-A00	Counterweight wearing plate (A)		釣合錘保護板(A)	1
29	●01	B1206-552-0A0	Counterweight asm.		釣合錘(組)	1
30	●01	SS-9661120-CP	Clamp screw 1/4-40 L=10.5		針棒クランク締メネジ	1
31		SS-8681950-SP	Screw (B) 9/32-28 L=19.0		釣合錘止メネジ(B)	1
32		SS-7681650-TP	Screw (A) 9/32-28 L=19.0		釣合錘止メネジ(A)	1
33		RO-0442401-00	Rubber ring		釣合錘止メネジOリング	1
34		SS-8660610-TP	Screw 1/4-40 L=6.0		針棒クランク止メネジ	1
35		CQ-2020000-00	Oil wick		針棒給油油心	0.3
36		B1202-552-B00-A	Main shaft bushing, front		上軸前メタル	1
37		SS-8151150-SP	Screw 15/64-28 L=10.5		上軸前メタル止メネジ	1
38		B1203-227-000	Main shaft bushing, intermediate	D.11/79	上軸中メタル	-
38-1		B1203-227-000-A	Main shaft bushing, intermediate	A.11/79	上軸中メタル	1
39		SS-7151120-SP	Screw 15/64-28 L=11.0		上軸中メタル止メネジ	1
40		CS-147121A-SH	Main shaft thrust collar asm.		上軸スラスト受け(組)	1
41		SS-8660610-TP	Screw 1/4-40 L=6.0		上軸スラスト受け止メネジ	(2)
42	●01	B1610-555-000	Feed drive eccentric cam	D.4/80	送り偏心カム	-
42-1		B1610-555-000-A	Feed drive eccentric cam	A.4/80	送り偏心カム	1
42-2		RC-1850001-KP	Snap ring	A.4/80	上下送りロット止メ輪	1
43		SS-6661110-SP	Screw 1/4-40 L=11.0		送り偏心カム止メネジ	2
44		B1611-161-000	Feed eccentric thrust washer		送りカムスラスト受け	1
45		SS-2110930-SP	Screw 11/64-40 L=8.7		送りカムスラスト受け止メネジ	3
46		B1306-155-0C0	Gear & pinion asm.		カサ歯車(上下組)	1
47		B1306-155-0B0	Gear & pinion asm., upper		上カサ歯車(組)	(1)
48		B1305-012-0A0	Gear asm.		上カサ歯車(大)(組)	(1)
49		B1306-155-0A0	Pinion asm.		上カサ歯車(小)(組)	(1)
50		B1307-155-0B0	Gear & pinion asm., lower		下カサ歯車(組)	(1)
51		B1307-155-0A0	Gear asm.		下カサ歯車(大)(組)	(1)
52		B1308-155-0A0	Pinion asm.		下カサ歯車(小)(組)	(1)
53		SS-8660810-TP	Screw 1/4-40 L=8.0		歯車止メネジ	(8)
54		B1204-555-D08	Main shaft bushing, rear	D.9/80	上軸後メタル	-
54-1		D1204-555-D08	Main shaft bushing, rear	A.9/80	上軸後メタル	5
55		SS-8151150-SP	Screw 15/64-28 L=10.5		上軸後メタル止メネジ	1
56		RO-2943101-00	Rubber ring	D.9/80	上軸後メタルOリング	-
57		B1208-552-000-A	Oil seal ring	D.9/80	上軸後メタルオイルシール	-
57-1		D1208-555-D00	Oil seal ring	A.9/80	上軸後メタルオイルシール	1
58		B1217-555-000	Hand wheel		ハズミ車	1
59		B1233-012-000	End screw	D.4/79	SS-7701010-SP	-
		SS-7701010-SP	End screw	A.4/79	ハズミ車押シ上ゲネジ	1
60		SS-8151550-SP	Screw 15/64-28 L=15.0		ハズミ車止メネジ	2
61		B1301-552-000	Upright shaft	D.8/80	立軸	-
61-1		B1301-555-000	Upright shaft	A.8/80	立軸	1
62		B1302-552-B00	Bushing, upper		立軸上メタル	1
63		SS-8151150-SP	Screw 15/64-28 L=10.5		立軸メタル止メネジ	2
64		B1303-552-B00	Bushing, lower		立軸下メタル	1
65		CS-0791010-SH	Thrust collar asm.	D.1/79	立軸スラスト受け(組)	-
66		SS-8110520-TP	Screw 11/64-40 L=4.5	D.1/79	立軸スラスト受け止メネジ	-

Note (注記) ●01 Special order part 特別注文部品  
 ●01 When these parts are to be used for subclass machines of DDL-555, サブクラスマシン使用の場合、サブクラス専用部品 please refer to the exclusive subclass list of DDL-555. (Page 13) 一覧表を参照してください。(13ページ)

### 3. HOOK DRIVING SHAFT & PRESSER BAR & KNEE LIFTER COMPONENTS

下軸・押工棒・膝上げ関係



Ref. No.
1
2
3
4
5
6
7
8
9
10
11
12
13
13-1
13-2
14
15
16
17
17-1
18
19
20
21
21-1
22
22-1
23
24
25
26
27
28
29
30
31
32
33
34
35
36
37
37-1
38
39
40
41
42
43
44
45
46
47
48
49
50
51
52
53
54
55
55-1
56
57
58

### 3. HOOK DRIVING SHAFT & PRESSER BAR & KNEE LIFTER COMPONENTS

下軸・押工棒・ヒザ上ゲ関係

Ref. No.	Note	Part No.	Description	E.C.	Amt. Req.
	注記	品番		変更年月	数量
1		B1516-552-000	Lifting lever link		1
2		B1517-552-000	Shaft		1
3		B3431-581-000	Gasket		1
4		RE-0600000-K0	Snap ring		1
5		B1523-226-000	Snap ring (B)		1
6		B1515-552-000	Lifting lever		1
7		SD-0630275-SP	Hinge screw (A) D=6.35 H=2.7		1
8		SD-0630301-SP	Hinge screw (B) D=6.35 H=3.0		1
9		B1520-552-000	Hand lifter lever		1
10		SS-7120910-SP	Screw 3/16-28 L=9.0		1
11		B1522-552-000	Oil seal	D.11/76	1
12		WP-0740516-SP	Washer 7.4x11.8x0.5		1
13	01	B1518-552-0A0	Hand lifter cam asm.	D.11/76	1
13-1		B1518-481-0A0	Hand lifter cam asm.	A.11/76	1
13-2		RO-0371801-00	O ring	A.11/76	1
14		B3412-552-000	Lifting lever connecting rod		1
15		B3416-552-000	Hinge screw		2
16		RE-0500000-K0	Spring		2
17		B3414-552-000	Lifting lever link arm	D.4/79	1
17-1		B3414-555-000	Lifting lever link arm	A.4/79	1
18		SD-0720331-SP	Hinge screw D=7.24 H=3.3		1
19		B3417-552-000	Spring		1
20		B3413-227-000	Suspension screw		1
21		B3416-012-000	Swivel	D.4/79	1
21-1		B3416-555-000	Swivel	A.4/79	1
22		B3418-552-000	Screw	D.4/79	1
22-1		B3418-555-000	Screw	A.4/79	1
23		RE-0500000-K0	Snap ring		1
24		B3415-552-000	Connecting rod, vertical		1
25		NS-6620310-SP	Nut 3/16-32		1
26		B1509-227-000	Presser spring regulator		1
27		NS-2820850-SA	Nut 1/2-28	D.4/79	1
		B1511-555-000	Nut	A.4/79	1
28		B1510-227-000	Presser guide bar		1
29	01	B1505-227-000-A	Presser spring		1
30		B1501-127-000	Presser bar		1
31		B1507-552-000	Presser bar guide bracket asm.		1
32		SS-7111410-SP	Clamp screw 11/64-40 L=14.0		(1)
33		B1521-552-000	Presser bar clamp thread guide		1
34		SS-6090650-SP	Screw 9/64-40 L=6.0		1
35		B1502-541-000	Presser bar bushing, lower		1
36		SS-8150310-SP	Screw 15/64-28 L=3.4		1
37	01	B1524-012-0A0	Hinged presser foot asm.		1
37-1	01	B1524-012-0B0	Hinged presser foot asm.	A.4/76	1
38		SS-7091110-SP	Screw 9/64-40 L=10.5		1
39	01	B1421-522-000	Needle bar guard		1
40	01	B1835-012-000	Bobbin case holder positioning finger		1
41		SS-6111010-SP	Screw 11/64-40 L=9.5		1
42		B1837-012-0A0	Bobbin case asm.		1
43	01	B9117-012-000	Bobbin		1
44	01	B1830-127-0A0	Lubricating hook asm.		1
45	01	SS-6110560-TP	Screw		(2)
46		CS-079106A-SH	Thrust collar asm.		1
47		SS-8110410-TP	Screw 11/64-40 L=3.5		(2)
48	01	B1808-552-0A0	Hook driving shaft front screw asm.		1
49	01	B1809-552-0A0	Oil wick asm.	D.7/75	1
	01	B1810-552-000	Oil wick	A.7/75	(1)
50		B1801-412-000	Hook driving shaft		1
51		B1802-412-0A0	Bushing, front asm.		1
52		SS-8151150-SP	Screw 15/64-28 L=10.5		1
53		B1803-552-000	Bushing, intermediate		1
54		B1804-552-B00	Bushing, rear		1
55		B1806-038-000	Oil felt	D.6/80	1
55-1		B1806-555-000	Oil felt	A.6/80	1
56		SS-8151550-SP	Screw 15/64-28 L=15.0	D.8/79	1
		SS-8151230-SP	Screw	A.8/79	1
57		CS-0791010-SH	Hook driving shaft thrust collar (B) asm.		1
58		SS-8110520-TP	Screw 11/64-40 L=4.5		(2)

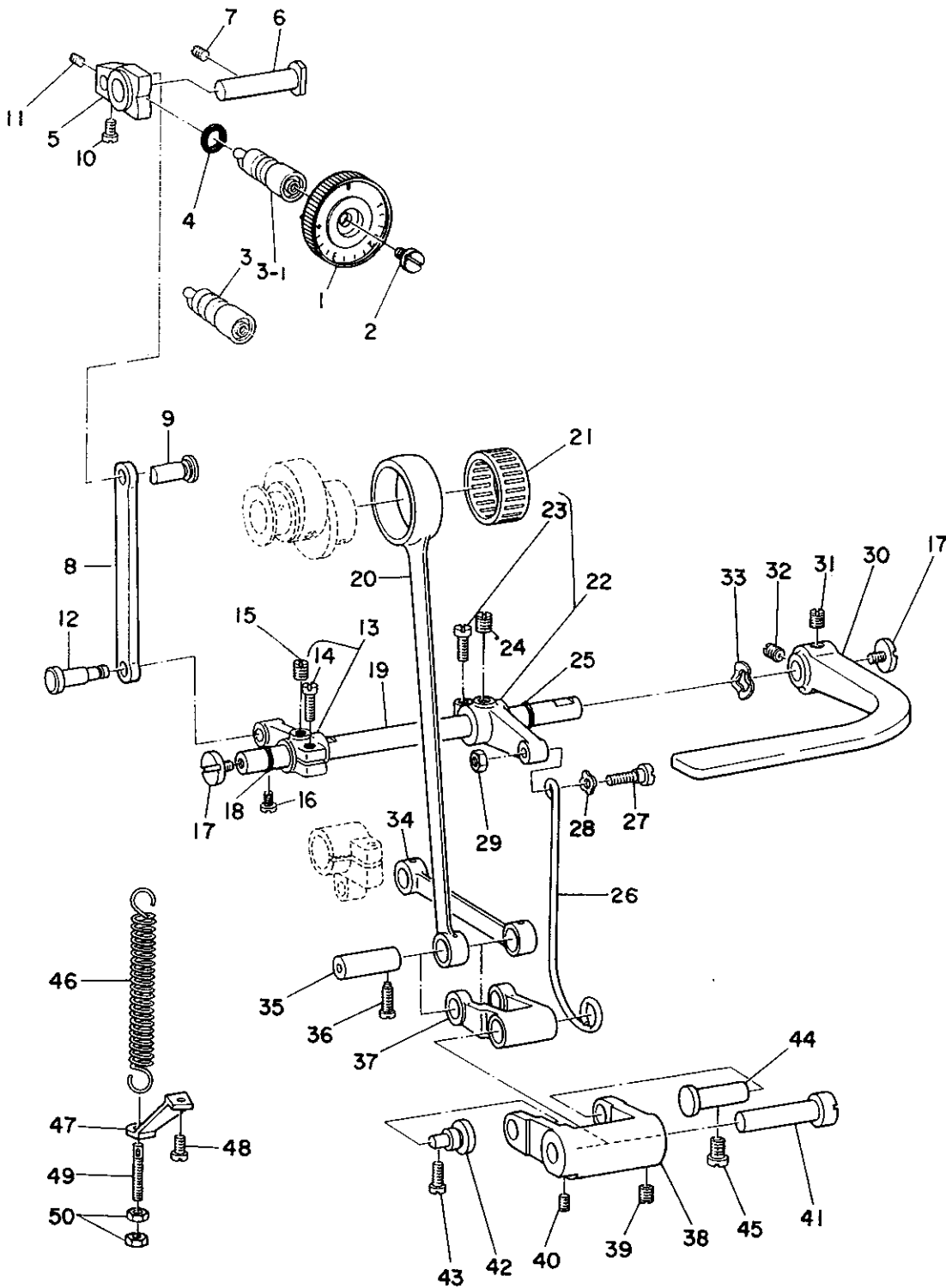
Note (注記) 01 ..... Special order part  
 01 ..... When these parts are to be used for subclass machines of DDL-555, please refer to the exclusive subclass list of DDL-555. (Page 13)

特別注文部品  
 サブクラスミシン使用の場合、サブクラス専用部品一覧表を参照してください。(13ページ)

4. FEED MECHANISM COMPONENTS (1)

送り関係 (1)

4.

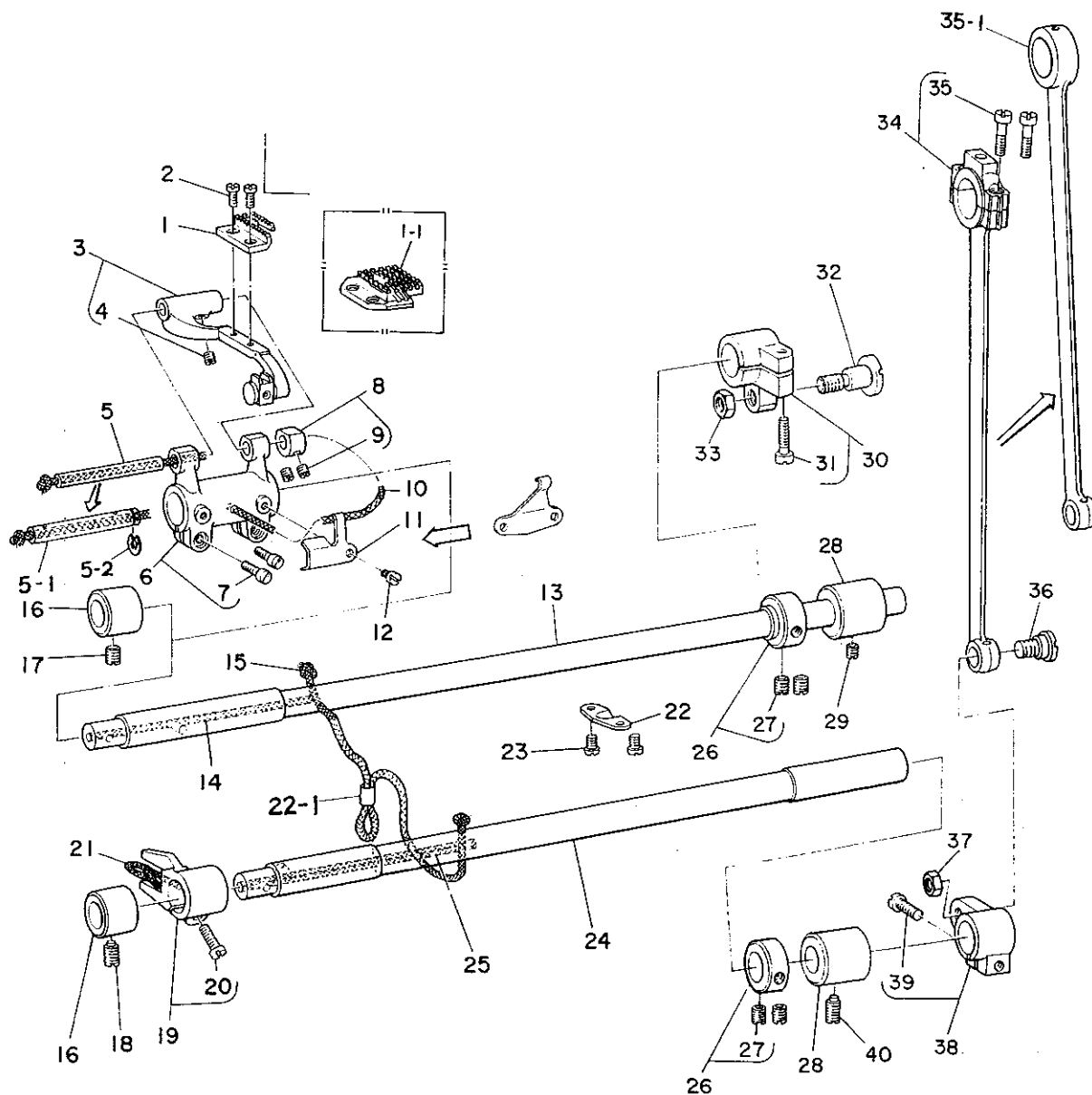


Ref. No.
1
2
3
3-1
4
5
6
7
8
9
10
11
12
13
14
15
16
17
18
19
20
21
22
23
24
25
26
27
28
29
30
31
32
33
34
35
36
37
38
39
40
41
42
43
44
45
46
47
48
49
50

Ref. No.	Note	Part No.	Description	E.C.	品名	Amt. Req.
	注記	品番		変更年月		数量
1	◆01	B1623-555-0A0-A	Stitch dial asm.	D.4/79	B1623-555-000-A	1
		B1623-555-000-A	Stitch dial asm.	A.4/79	目盛板	1
2		SS-6121050-SP	Screw 3/16-28 L=9.5	D.4/79	SS-6120930-SP	1
		SS-6120930-SP	Screw	A.4/79	目盛板止ネジ	1
3		B1634-555-000-A	Feed regulating screw	D.6/67	送り調節ネジ	1
3-1		B1634-555-000-B	Feed regulating screw	A.6/67	送り調節ネジ	1
4		RO-0742401-00	Rubber ring		送り調節ネジOリング	1
5		B1620-161-000	Feed regulator		送り調節台	1
6		B1622-555-000	Hinge pin		送り調節台止軸	1
7		SS-8151230-SP	Screw 15/64-28 L=12.0	D.12/79	SS-8150710-SP	1
		SS-8150710-SP	Screw	A.12/79	送り調節台止軸止ネジ	1
8		B1625-555-000	Feed regulator connecting rod		送り調節器ロッド	1
9		B1626-555-000	Pin		送り調節器ロッドピン	1
10		SS-7110720-SP	Screw (A) 11/64-40 L=7.0		送り調節器ロッドピン止メネジ (A)	1
11		SS-8110510-SP	Screw (B) 11/64-40 L=5.0		送り調節器ロッドピン止メネジ (B)	1
12		B1628-555-000	Tension spring suspension stud		引張りバネ掛軸	1
13		B1627-555-0A0	Tension spring suspension crank asm.		引張りバネ掛調節器腕 (組)	1
14		SS-6121210-SP	Clamp screw 3/16-28 L=12.0		引張りバネ掛調節器腕締メネジ	(1)
15		SS-8150710-SP	Screw 15/64-28 L=7.0		引張りバネ掛調節器腕止メネジ	1
16		SS-7110910-SP	Screw, 11/64-40 L=8.5		引張りバネ掛軸止メネジ	1
17		SS-7620750-SP	End screw 3/16-32 L=6.5		レバー軸押シネジ	2
18		RO-0611801-00	Rubber ring, small		レバー軸Oリング (小)	1
19		B1621-555-000	Reverse feed control lever shaft		送り調節レバー軸	1
20		B1612-161-000	Feed rocker shaft connecting rod		水平送りロッド	1
21		B1636-581-B00	Needle bearing		水平送りニードルベアリング	1
22		B1629-555-0A0	Control lever crank, rear asm.		送り調節腕 (組)	1
23		SS-6121210-SP	Clamp screw 3/16-28 L=12.0		送り調節腕締メネジ	(1)
24		SS-8150710-SP	Screw 15/64-28 L=7.0		送り調節腕止メネジ	1
25		RO-0691801-00	Rubber ring, large		レバー軸Oリング (大)	1
26		B1630-555-000	Feed driving rocker arm connecting rod		送り調節ロッド	1
27		SD-0500401-SP	Hinge screw D=5.0 H=4.0		送り調節ロッド段ネジ	1
28		WZ-0541510-KP	Washer 5.4 x 9.0 x 0.3		送り調節ロッド座金	1
29		NS-6120310-SP	Nut 3/16-28		送り調節ロッド段ネジナット	1
30		B1624-555-000	Reverse feed control lever		送りレバー	1
31		SS-8660970-TP	Screw (A) 1/4-40 L=8.5		送りレバー止メネジ A	1
32		SS-8660810-TP	Screw (B) 1/4-40 L=8.0		送りレバー止メネジ B	1
33		WZ-1052010-KP	Waved washer 10.5 x 14.5 x 0.3		送りレバー軸座金	1
34		B1613-555-000	Connecting rod		水平送り連結桿	1
35		B1633-555-000	Feed rocker shaft connecting pin		水平送りロッドピン	1
36		SS-7111260-SP	Screw 11/64-40 L=12.0		水平送りロッドピン止メネジ	1
37		B1614-555-000	Feed driving rocker arm		送り調節二又リンク	1
38		B1617-555-000	Feed driving rocker		送り調節リンク	1
39		SS-8150710-SP	Screw (A) 15/64-28 L=7.0	D.2/79	送り調節二又リンク止メネジ (A)	1
40		SS-8620610-SP	Screw 3/16-32 L=6.0	M.2/79	送り調節二又リンク止メネジ	2
41		B1615-555-000	Hinge pin		送り調節二又リンクピン	1
42		B1619-555-000	Hinge stud		送り調節リンク支エピン	1
43		SS-7111120-SP	Screw 11/64-40 L=10.5		送り調節リンク支エピン止メネジ	1
44		B1618-161-000	Feed driving rocker arm hinge pin		送り調節リンクピン	1
45		SS-7151120-SP	Screw 15/64-28 L=11.0		送り調節リンクピン止メネジ	1
46		B1646-555-000	Tension spring		引張りバネ	1
47		B1632-555-000	Suspension bracket		引張りバネ掛ケ	1
48		SS-7111120-SP	Screw 11/64-40 L=10.5		引張りバネ掛止メネジ	1
49		B1649-161-000	Adjusting screw		引張りバネ調節ネジ	1
50		NS-6110420-SP	Nut 11/64-40		引張りバネ調節ネジナット	2

Note (注記) ◆01 ..... When these parts are to be used for subclass machines of DDL-555, please refer to the exclusive subclass list of DDL-555. (Page 13)

サブクラスミン使用の場合、サブクラス専用部品一覧表を参照してください。(13ページ)



Ref. No.
1
1-1
2
3
4
5
5-1
5-2
6
7
8
9
10
11
12
13
14
15
16
17
18
19
20
21
22
22-1
23
24
25
26
27
28
29
30
31
32
33
34
35
35-1
36
37
38
39
40

5. FEED MECHANISM COMPONENTS (2)

Ref. No.	Note	Part No.	Description	E.C.	品名	Amt. Req.
	注記	品番		変更年月		数量
1	◆01	B1613-012-A00	Feed dog (A)		送り (A)	1
1-1	01	B1613-555-J00	Feed dog (J)	A.2/77	送り (J)	1
2		SS-4080620-TP	Screw 1/8-44 L=6.4		送り止メネジ	2
3		B1602-155-0B0	Feed bar asm.		送り台 (組)	1
4		SS-8620610-TP	Shaft clamp screw 3/16-32 L=6.0		送り台軸締メネジ	(1)
5		B1604-012-000	Shaft	D.2/80	送り台軸	—
5-1		B1604-012-000-A	Shaft	A.2/80	送り台軸	1
5-2		RE-0500711-KP	Snap ring	A.2/80	送り台軸止メ輪	1
6		B1603-155-0A0	Feed rocker asm.		送り台腕 (組)	1
7		SS-7111310-TP	Clamp screw 11/64-40 L=12.8		送り台腕締メネジ	(2)
8		CS-0640860-SH	Thrust collar asm.	D.4/80	送り台軸スラスト受ケ (組)	—
9		SS-8110510-SP	Screw 11/64-40 L=5.0	D.4/80	送り台軸スラスト受ケ止メネジ	—
10		CQ-3030000-00	Oil wick		送り台腕油心	0.3
11		B1609-155-000	Holder		送り台腕油心押エ	1
12		SS-6080410-SP	Screw 1/8-44 L=4.0	M.1/81	送り台腕油心押エ止メネジ	1
13		B1601-552-000	Feed rocker shaft		水平送り軸	1
14		CQ-3030000-00	Oil wick (A)		水平送り軸油心 (A)	0.3
15		CQ-3030000-00	Oil wick (B)		水平送り軸油心 (B)	0.5
16		B1604-155-000	Feed rocker shaft bushing, front		送り軸前メタル	2
17		SS-8150710-SP	Screw 15/64028 L=7.0	D.4/79	SS-8150510-TP	—
		SS-8150510-TP	Screw	A.4/79	水平送り軸前メタル止ネジ	1
18		SS-8151550-SP	Screw 15/64-28 L=7.0	D.4/79	SS-8151230-SP	—
		SS-8151230-SP	Screw	A.4/79	上下送り軸前メタル止ネジ	1
19		B1704-155-0A0	Feed rocker shaft crank asm.		上下送りニ又 (組)	1
20		SS-7111120-SP	Clamp screw 11/64-40 L=10.5		上下送りニ又締メネジ	(1)
21		CQ-2020000-00	Oil wick		上下送り角駒用油心	0.1
22		B1635-552-000	Holder	D.4/79	BP-4000000-00	—
22-1		BP-4000000-00	Vinyl tube	A.4/79	送り軸油心止具	0.01
23		SS-7110540-SP	Screw 11/64-40 L=5.0	D.4/79	送り軸油心押エ止メネジ	—
24		B1701-555-000	Feed driving shaft		上下送り軸	1
25		CQ-3030000-00	Oil wick (A)		上下送り軸油心 (A)	0.3
26		CS-147121A-SH	Thrust collar asm.		送り軸スラスト受ケ (組)	2
27		SS-8660610-TP	Screw 1/4-40 L=6.0		送り軸スラスト受ケ止メネジ	(4)
28		B1702-155-000	Bushing, rear		送り軸後メタル	2
29		SS-8150410-SP	Screw 15/64-28 L=4.0	D.4/79	SS-8150510-TP	—
		SS-8150510-TP	Screw	A.4/79	水平送り軸後メタル止ネジ	1
30		B1608-161-0A0	Feed rocker shaft crank, rear asm.		水平送り腕 (組)	1
31		SS-6121610-TP	Clamp screw 3/16-28 L=15.5		水平送り腕締メネジ	(1)
32		SD-1020701-SP	Hinge screw D=10.2 H=7.0		水平送り腕段ネジ	1
33		NS-6680410-SP	Nut 9/32-28		水平送り腕段ネジナット	1
34		B1708-555-0A0	Feed driving shaft connecting rod asm.	D.3/80	上下送りロッド (組)	—
35		SS-6121610-SP	Clamp screw 3/16-28 L=15.5	D.3/80	上下送りロッドフタ締メネジ	—
35-1		B1708-555-000-A	Feed driving shaft connecting rod	A.3/80	上下送りロッド	1
36		SD-1020701-SP	Hinge screw D=10.2 H=7.0		上下送りロッド段ネジ	1
37		NS-6680410-SP	Nut 9/32-28		上下送りロッド段ネジナット	1
38		B1703-155-0A0	Feed driving shaft crank, rear asm.		上下送り腕 (組)	1
39		SS-6121610-TP	Clamp screw 3/16-28 L=15.5		上下送り腕締メネジ	(1)
40		SS-8150710-SP	Screw 15/64-28 L=7.0	D.4/79	SS-8150510-TP	—
		SS-8150510-TP	Screw	A.4/79	上下送り軸後メタル止ネジ	1

Note (注記) ◆01 ..... When these parts are to be used for subclass machines of DDL-555, please refer to the exclusive subclass list of DDL-555. (Page 13)

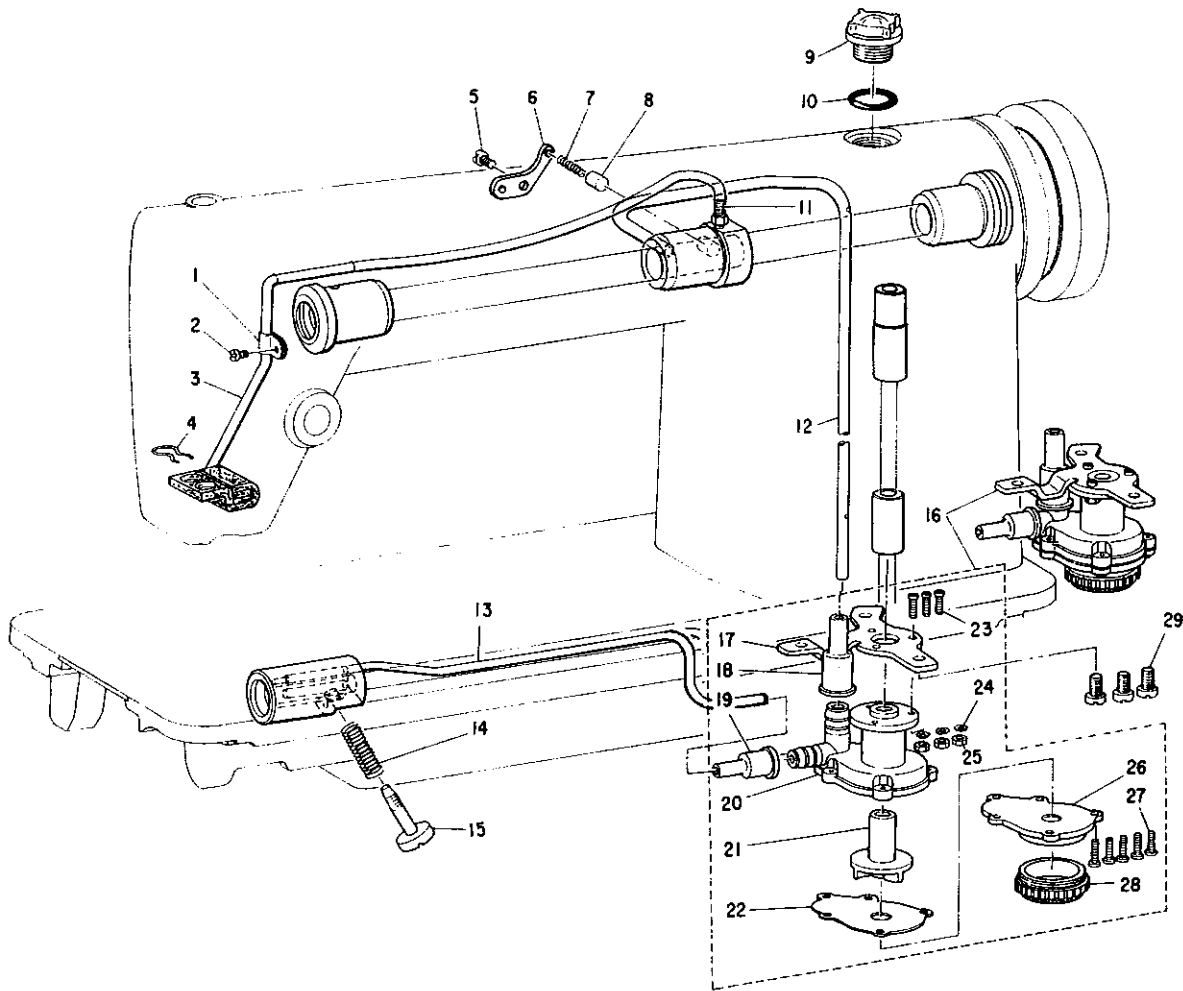
01 ..... Special order part

サブクラスミシン使用の場合、サブクラス専用部品一覧表を参照してください。(13ページ)

特別注文部品

# 6. LUBRICATION COMPONENTS

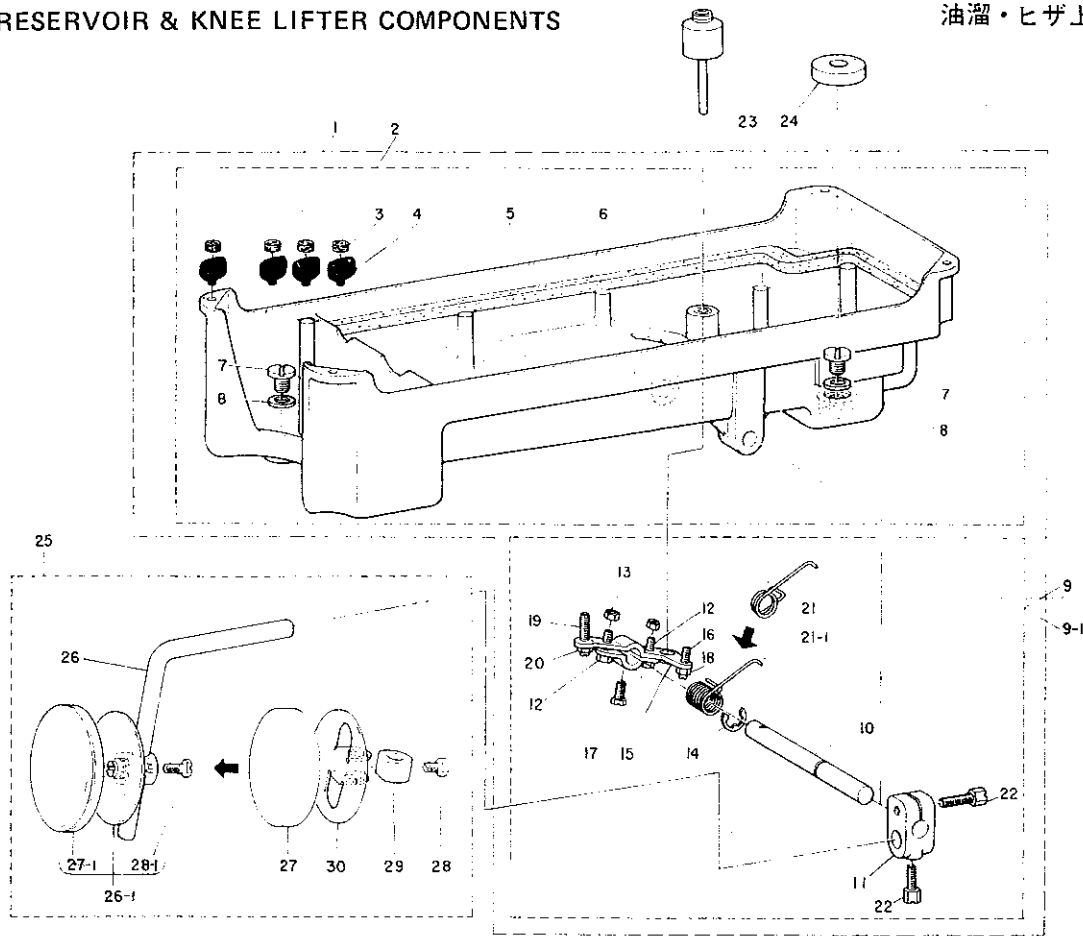
給油関係



Ref. No.	Note	Part No.	Description	E.C.	品名	Amt. Req.
	注記	品番		変更年月		数量
1		B3536-122-000	Oil return tube holder		還流パイプ押エ	1
2		SS-7110710-SP	Screw 11/64-40 L=7		還流パイプ押エ 止ネジ	1
3		B3526-552-0A0	Oil return tube asm.		還流フェルト(組)	1
4		B3529-226-000	Oil felt presser		還流フェルト押エ	1
5		SS-7110910-SP	Screw 11/64-40 L=8.5		プランジャー押エ 金具止ネジ	1
6		B3524-552-000	Plunger thrust plate		プランジャー押エ 金具	1
7		B1214-038-000	Plunger spring		プランジャー押エ パネ	1
8		B3534-155-000	Oil return pump plunger		還流ポンププランジャー	1
9		B3530-555-000	Oil sight window		油窓	1
10		RO-1952401-00	Rubber ring		Oリング	1
11		SQ-1110402-MZ	Connecting screw		パイプ連結ネジ	1
12		B3513-227-000-A	Main shaft oil tube		上軸給油パイプ	1
13		B3521-555-000	Oil tube		釜給油パイプ	1
14		B2616-372-000	Spring		油量調節ネジ パネ	1
15		B3514-412-000	Oil adjusting screw		下軸前メタル油量調節ネジ	1
16		B3501-555-0A0	Lubricating oil pump asm.		給油ポンプ体(組)	1
17		B3503-555-000	Oil pump installing base		給油ポンプ取付板	(1)
18		B3505-555-000	Rubber joint		上軸給油パイプ継手	(1)
19		B3506-555-000	Rubber joint		釜給油パイプ継手	(1)
20		B3501-555-000	Lubricating oil pump		給油ポンプ体	(1)
21		B3507-555-000	Oil pump impeller		羽車	(1)
22		B3508-555-000	Oil pump impeller cover		羽車受板	(1)
23		SM-4031001-SC	Screw M3x0.5 L=10		給油ポンプ取付板止ネジ	(3)
24		WT-0320002-KZ	Washer		給油ポンプ取付板止座金	(3)
25		NM-6030000-OE	Nut M3x0.5		給油ポンプ取付板止ナット	(3)
26		B3502-555-000	Lubricating oil pump cover		給油ポンプ蓋	(3)
27		SE-4301031-SR	Screw		給油ポンプ蓋止ネジ	(5)
28		B3504-555-000	Filter		フィルター	(1)
29		SS-6120930-SP	Screw 3/16-28 L=9		給油ポンプ体止ネジ	3

7. OIL RESERVOIR & KNEE LIFTER COMPONENTS

油溜・ヒザ上げ関係

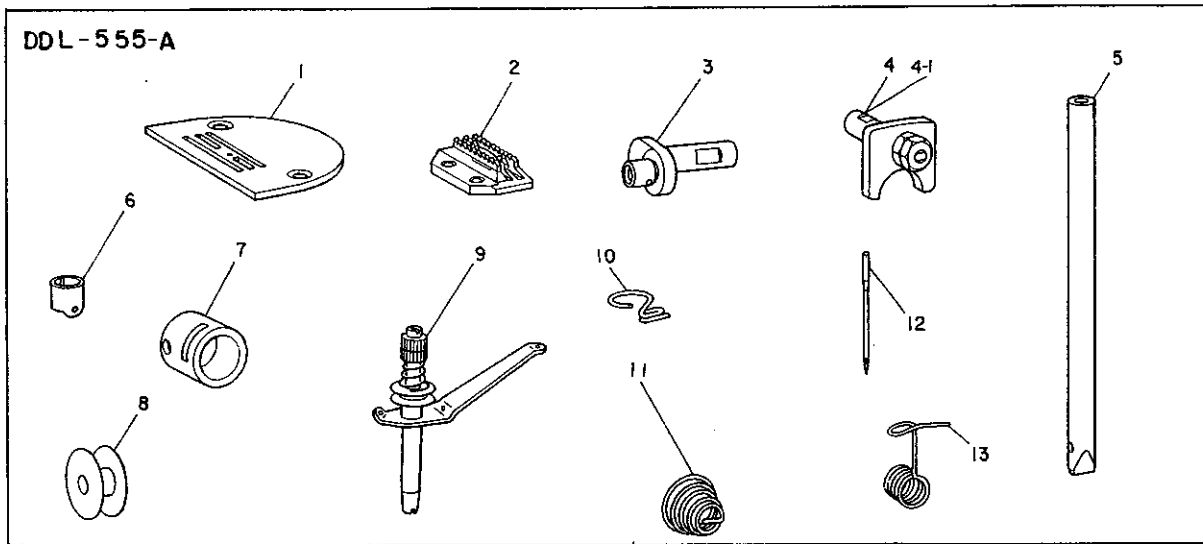


Ref. No.	Note	Part No.	Description	E.C.	品名	Amt. Req. 数量
1		B8217-552-0C0	Oil reservoir asm.		油溜 (組)	1
2		B8217-552-0A0	Oil reservoir asm.		油溜 (組)	(1)
3		B8227-125-000	Felt pad		頭部クッション	(4)
4		B8226-125-000	Rubber pad		頭部支エゴム	(4)
5		B8217-552-000	Oil reservoir		油溜	(1)
6		B8218-552-000	Gasket		油溜パッキン	(1)
7		SS-6741010-SP	Oil drain cap screw 3/8-28 L=10.0		排油穴フタネジ	(2)
8		B8219-125-000	Gasket		排油穴フタパッキン	(2)
9		B3420-552-0A0	Knee press rod asm.	D.1/77	ヒザ上げ横軸 (組)	(1)
9-1		B3420-552-0A0-A	Knee press rod asm.	A.1/77	ヒザ上げ横軸 (組)	(1)
10		B3420-552-000	Knee press rod		ヒザ当横軸	(1)
11		B3427-122-000	Bearing bracket		ヒザ当立軸取付腕	(1)
12		SS-9151540-SR	Rotating lever clamp screw 15/64-28 L=15.0		ヒザ上げ回転腕締メネジ	(2)
13		NS-6150430-SR	Nut 15/64-28		ヒザ上げ回転腕締メネジナット	(2)
14		B3426-552-000	Thrust ring		ヒザ当横軸スラスト受け	(1)
15		B3425-552-000	Lifting (B)		ヒザ上げ回転腕 (B)	(1)
16		B3424-552-000	Lifting (A)		ヒザ上げ回転腕 (A)	(1)
17		SS-9151220-SR	Screw 15/64-28 L=12.0		ヒザ上げ回転腕止メネジ	(1)
18		SS-8152080-SR	Positioning screw (B) 15/64-28 L=19.5		ヒザ上げ回転角調節ネジ (B)	(1)
19		SS-8153010-SR	Positioning screw (A) 15/64-28 L=30.0		ヒザ上げ回転角調節ネジ (A)	(1)
20		NS-6150430-SR	Nut 15/64-28		ヒザ上げ回転角調節ネジナット	(2)
21		B3429-552-000	Spring	D.1/77	ヒザ上げ回転腕バネ	(1)
21-1		B3429-552-000-A	Spring	A.1/77	ヒザ上げ回転腕バネ	(1)
22		SS-9182010-SN	Clamp screw 9/32-20 L=20.0		ヒザ上げ立軸取付腕締メネジ	(2)
23		B3421-552-0A0	Knee press lifter rod asm.	D.12/78	B3421-555-000	-
		B3421-555-000	Knee press lifter rod	A.12/78	ヒザ上げ押し棒	1
24		B8228-125-000	Oil reservoir magnet		油溜磁石	1
25		B3419-552-0A0	Knee lifter plate rod asm.		ヒザ当立軸 (組)	1
26		B3419-122-000	Knee lifter plate rod		ヒザ当立軸	(1)
26-1		B3430-552-0A0	Knee press plate asm.	A.1/77	ヒザ当板 (組)	(1)
27		B3431-552-000	Knee press plate cover	D.1/77	ヒザ当板カバー	-
27-1		B3431-552-000-A	Knee press plate cover	A.1/77	ヒザ当板カバー	(1)
28		SM-9061003-SE	Stopper screw M6 L=10.0	D.1/77	ヒザ当板ストッパー止メネジ	-
28-1		SS-9661120-CP	Screw 1/4-40 L=10.5	A.1/77	ヒザ当板止メネジ	(1)
29		B3432-552-000	Knee press plate stopper	D.1/77	ヒザ当板ストッパー	-
30		B3430-552-000	Knee press plate	D.1/77	ヒザ当板	-

DDL-555サブクラス専用部品一覧表

	Description	DDL-555 Standard 標準	DDL-555-A For light weight materials 薄物用	DDL-555-W For P.P. P.P 用	DDL-555-H For heavy weight materials 厚物用	品名
1	Throat plate	B1109-012-A00	B1109-012-i00	D1109-155-W00	B1109-555-H0B	針棒クランク
2	Needle thread guide pin asm.	B1113-155-0A0	D1113-126-WA0	D1113-126-WA0	B1114-012-000	針棒
3	Frame thread guide (A)	B1126-552-000	*	*	B1126-553-000	針棒下メタル
4	Counterweight asm.	B1206-552-0A0	*	*	B1206-553-0A0	針棒糸掛
5	Needle bar crank	B1209-552-000	B1209-552-A00	B1209-552-A00	B1209-553-000	針板
6	Needle bar	B1401-552-A00	B1401-552-D00-A	B1401-552-D00-A	B1401-552-i00	糸案内棒 (組)
7	Needle bar bushing, lower	B1403-155-000	*	*	B1403-553-000	アーム糸案内 (A)
8	Needle bar thread guide	B1418-541-000	B1418-552-B00	B1418-552-B00	—	釣合鐘 (組)
9	Needle bar thread guide	B1419-155-000	B1419-553-000	B1419-553-000	B1419-553-000	針棒糸案内
10	Presser spring	B1505-227-000-A	*	*	B1505-552-000-A	押エ調節バネ
11	Hand lifter cam asm.	B1518-481-0A0	B1518-552-AA0-A	B1518-552-AA0-A	*	押エ上ゲカム (組)
12	Hinged presser foot asm.	B1524-012-0A0	*	D1524-126-WA0	B1511-543-BA0	自由押エ (組)
12-1	Hinged presser foot asm.	B1524-012-0B0	*	D1524-126-WB0	B1511-543-BB0	自由押エ (組)
13	Feed dog	B1613-012-A00	B1613-012-i00	B1613-155-W00	B1613-555-H00	送り
14	Stitch dial asm.	B1623-555-0A0-A	*	*	B1623-555-HA0-A	目盛板 (組)
15	Lubricating hook asm.	B1830-127-0A0	*	*	B1830-555-HA0	給油釜 (組)
16	Bobbin case holder	B1835-012-000	*	*	B1835-555-H00	中釜押エ
17	Thread tension post socket	B3111-126-B00	B3111-126-000	B3111-126-000	*	糸調子棒台
18	Thread tension spring	B3129-012-A00	B3121-352-000	B3121-352-000	B3114-232-000	糸調子バネ
19	Take-up spring	B3128-012-000	B3128-027-000	B3128-027-000	*	糸取りバネ
20	Bobbin	B9117-012-000	B9117-552-A00	B9117-552-A00	*	ボビン
21	Needle	MDB-100B1400	MDA-100B0900	MDA-100B1100	MDB-100B2200	針
22	Arm oil shield screw	SS-6080410-SP	*	*	SS-6080320-SP	面部油防板止メネジ
23	Lower shaft front screw asm.	B1808-552-0A0	*	*	B1808-227-HA0	下軸前止メネジ (組)
24	Feed drive eccentric cam	B1610-555-000-A	*	*	B1610-555-H00-A	送り偏心カム

Note (注記) Parts marked with \* are same as standard parts \* ..... 標準部品と共通に使用する  
 - ..... Parts to be removed - ..... 取り除く部品  
 Presser foot asm. of 12-1 is special order parts. 12-1の自由押エ(組)は特別注文部品です



2. I  
Ref.  
No.  
1  
2  
3  
3-1  
4  
5  
6  
7  
8  
9  
10  
11  
12  
13  
13-1  
14  
3. E

8. EXCLUSIVE PARTS FOR SUBCLASS COMPONENTS

サブクラス専用部品

1. DDL-555-A (FOR LIGHT WEIGHT MATERIALS) (薄物用)

Ref. No.	Note	Part No.	Description	E.C.	品名	Amt. Req. 数量
	注記	品番		変更年月		
1		B1109-012-i00	Throat plate (i) .....		針板 (i) .....	1
2		B1613-012-i00	Feed dog (i) .....		送り (i) .....	1
3		B1209-552-A00	Needle bar crank .....		針棒クランク .....	1
4		B1518-552-AA0	Hand lifter cam asm. ....	D.11/76	押エ上ゲカム (組) .....	—
4-1		B1518-552-AA0-A	Hand lifter cam asm. ....	A.11/76	押エ .....	1
5		B1401-552-D00-A	Needle bar (D) .....		針棒 (D) .....	1
6		B1418-552-B00	Needle bar thread guide .....		針棒糸掛ケ .....	1
7		B3111-126-000	Thread tension post socket .....		糸調子棒台 .....	1
8		B9117-552-A00	Bobbin .....		ボビン .....	1
9		D1113-126-WA0	Needle thread guide pin asm. ....		糸案内棒 (組) .....	1
10		B1419-553-000	Needle bar thread guide .....		針棒糸案内 .....	1
11		B3121-352-000	Thread tension spring .....		糸調子バネ .....	1
12		MDA-100B0900	Needle (DAx1 #9) .....		針 (DAx1 #9) .....	1
13		B3128-027-000	Take-up spring .....		糸取りバネ .....	1

1  
2  
3  
4  
5  
6  
7  
8  
9  
10  
11  
12  
13  
14  
15  
15-1  
16  
17  
18  
19